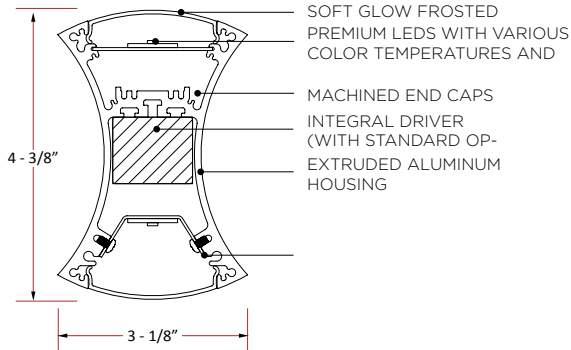


Linear Series - Void 2

CABLE SUSPENDED



FEATURES:

- 1/16" AIRCRAFT CABLE SUSPENSION SYSTEM
- HIGH TRANSMISSION FROSTED LENSES WITH NO DIODE IMAGING
- NO VISIBLE FASTENERS
- EXTRUDED ALUMINUM HOUSING
- DIMMABLE/PROGRAMMABLE DRIVERS FOR CONTROLLABLE LIGHT OUTPUT
- HIGH EFFICACY LEDS WITH 5 YEAR WARRANTY
- UNDER 2 STEPS MACADAMS ELLIPSE BINNING
- 3/8" THICK MACHINED END CAPS
- BI-DIRECTIONAL FIXTURE
- 360 ° ROTATION OPTION - WITH MECHANICAL LOCKING



NOTE: ALL OPTIONS ITALICIZED MAY INCREASE LEAD TIMES AND/OR INCUR HIGHER COSTS - PLEASE CONSULT FACTORY WITH QUESTIONS.

FIXTURE MODEL	MOUNTING/ ORIENTATION	NOMINAL LENGTH*	COLOR TEMP	LED DRIVE POWER		VOLTAGE	DRIVER	
				DIRECT				
LS-VOD-2	CS Cable Suspended - Bidirectional CSD Cable Suspended - Direct Only CSR Cable Suspended - ROTATIONAL	1 <i>1' 1-3/8"</i>	27K <i>2700K</i> 30K <i>3000K</i> 35K <i>3500K</i> 40K <i>4000K</i> 50K <i>5000K</i>	VLO Very Low Output 405 lumens/ft. (4w/ft.) LO Low Output 610 lumens/ft. (6w/ft.) SO Standard Output 795 lumens/ft. (8w/ft.) HO High Output 1,000 lumens/ft. (10w/ft.) VHO Very High Output 1,160 lumens/ft. (12w/ft.) CPO Custom Power Output Consult factory	VLO Very Low Output 460 lumens/ft. (4w/ft.) LO Low Output 695 lumens/ft. (6w/ft.) SO Standard Output 910 lumens/ft. (8w/ft.) HO High Output 1,140 lumens/ft. (10w/ft.) VHO Very High Output 1,330 lumens/ft. (12w/ft.) CPO Custom Power Output	UNV Universal (120-277v) 1V 120v 2V 227v 3V 347v*	ND Non - Dimming 0-10V Dimming 10D 10% DIM 1D 1% DIM LUTRON LDE1 Lutron EcoSystem 1% "Soft on" (Digital) LDES Lutron EcoSystem 5% 5-Series (Digital) DAL DAL1 Digital Addressable Lighting Interface	
		2 <i>2' 1-3/8"</i>						
		3 <i>3' 1-3/8"</i>						
		4 <i>4' 1-3/8"</i>						
		5 <i>5' 1-3/8"</i>						
		6 <i>6' 1-3/8"</i>						
		7 <i>7' 1-3/8"</i>						
		8 <i>8' 1-3/8"</i>						
		12 <i>12' 1-3/8"</i>						
		Continuous Run (Specify length in nominal feet)						
		*Dimensions are for reference only. Contact factory for more specific information or shop drawings. **Odd lengths may incur slightly higher per foot pricing.						

HOUSING FINISH	HARDWARE* DETAIL FINISH	CANOPY SIZE OPTIONS*	CANOPY FINISH	POWER CORD COLOR	AIRCRAFT CABLE	OPTIONS/ CUSTOMIZATION*
SC Satin Clear Anodize (Standard)	MF <i>Machined Finish (Standard)</i>	44 4" Power feed canopy 4" Non-power feed canopy	MF <i>Machine Finish (Standard)</i>	W White G Gray B Black	2 2' 4 4' 6 6' 8 8' CL <i>Custom Length**</i> (Specify in feet IE: CL10 for 10')	EMB7 <i>7 Watt battery back-up**</i> (Approximately 600 lumens) EMB12 <i>12 Watt battery back-up**</i> (Approximately 1,000 lumens) 90 (Approximately 1,000 lumens) CCP CCPS CD 90+ CRI LED BOARDS CR Corners/patterns* WSN Custom Driver* WSE Customization Requested* WSW Nlight Air WSL Enlighted Wavelinx Lutron Vive
SW Satin White (Powder Coat)	SW <i>Satin White</i>	41 4" Power feed canopy 1" Non-power feed canopy	MB <i>Matte Black</i>			
MB Matte Black (Powder Coat)	MB <i>Matte Black</i>	40 4" Power feed canopy Canopy only at power feed	SW <i>Satin White</i>			
CF Custom Finish* (Consult Factory)	CF <i>Custom Finish (Consult Factory)</i>		CF <i>Custom Finish*</i>			
NOTE: MF option is strongly recommended. Other options will result in higher costs and potentially longer lead times. **"Hardware" refers to the end caps and knuckles (knuckles only for the "Rotational")		*CONTINUOUS RUNS REQUIRE THE 55" OR THE 44" OPTION. CONSULT FACTORY WITH QUESTIONS. *See options section and installation instructions for more information.	*Consult the factory.		*Cables are field adjustable. ** Consult factory to confirm	NOTE: Customization may incur higher costs and/or increased lead times. *Consult the factory for all custom options or custom concept requests. **The EMB12 is slightly more expensive than the EMB7 option (BOTH OPTIONS ARE INTEGRAL).

NOTE: All options italicized in gray may increase lead times and/or incur higher costs - please consult factory with questions.

GENERAL

All fixtures are UL listed for dry and damp locations. INTEGRAL DRIVER for all options. Please contact the factory with any specification questions.

GENERAL

Bidirectional (CS) for downlight and uplight applications. Direct (CSD) for downlight applications. Rotational (CSR) for adjustable applications: 360 degree rotational capacity with locking mechanism.

DRIVER:

- 1) NON-DIMMING: As described... this fixture will not dim.
- 2) DIMMING: 0-10v: 1%, 10% :: Lutron: 2-wire Forward phase (Hi-Lume 1%), Ecosystem to 1% (Soft On), Ecosystem to 5% (5 Series). "DALI" - Specify driver. See "Dimming Options" on subsequent pages for more information. For other dimming options, consult the factory.
- 3) EMERGENCY: Specify EMB under the Options/ Customization category at the end of the cut sheet along with the desired lumen output (600 or 1,000 lumens - the latter is slightly more costly).
- 4) Drivers are programmed according to our standard lumen packages or to custom watt/lumen package requirements.
- 5) Consult factory with any questions or specification requirements.

FINISHES:

The standard finish is a Satin Clear anodized housing with Machine Finished hardware. Machined finish is preferable for machined components (Hardware Detail) - Powder coating these parts may result in additional costs. Consult the factory with any questions about standard or custom finishing options.

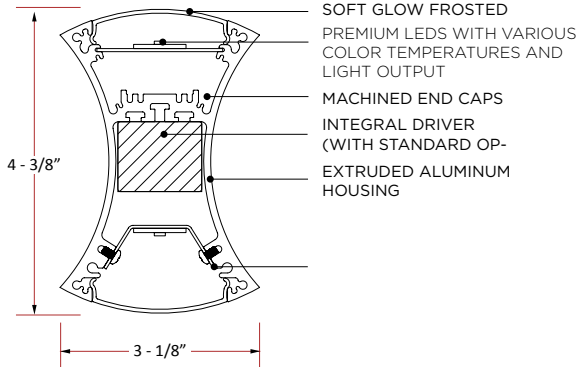
CUSTOMIZATION:

We have numerous custom options available. However, if there is something unique required for a project, from simple options to complete custom requests, we are more than willing to entertain any creative notions you might have. Just ask.



Linear Series - Void 2

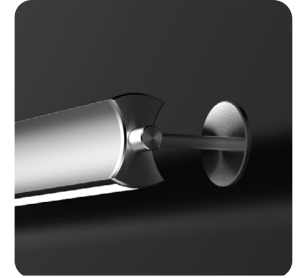
ROTATIONAL ARM MOUNT



SOFT GLOW FROSTED PREMIUM LEDS WITH VARIOUS COLOR TEMPERATURES AND LIGHT OUTPUT
MACHINED END CAPS
INTEGRAL DRIVER (WITH STANDARD OP-
EXTRUDED ALUMINUM HOUSING

FEATURES:

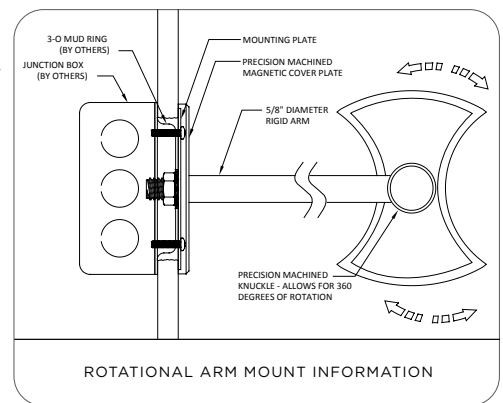
- 5/8" DIAMETER RIGID TUBE MOUNTING SYSTEM
- HIGH TRANSMISSION FROSTED LENSES WITH NO DIODE IMAGING
- NO VISIBLE FASTENERS
- EXTRUDED ALUMINUM HOUSING
- DIMMABLE/PROGRAMMABLE DRIVERS FOR CONTROLLABLE LIGHT OUTPUT
- HIGH EFFICACY LEDS WITH 5 YEAR WARRANTY
- UNDER 2 STEPS MACADAMS ELLIPSE BINNING
- 3/8" THICK MACHINED END CAPS
- BI-DIRECTIONAL FIXTURE
- 360° ROTATION OPTION - WITH MECHANICAL LOCKING



NOTE: ALL OPTIONS ITALICIZED MAY INCREASE LEAD TIMES AND/OR INCUR HIGHER COSTS - PLEASE CONSULT FACTORY WITH QUESTIONS.

FIXTURE MODEL	MOUNTING	NOMINAL LENGTH*	COLOR TEMP	LED DRIVE POWER		VOLTAGE	DRIVER	
				DIRECT	INDIRECT*			
LS-VOD-2	RAM Rotational Arm Mount	1 1' 1-3/8"	27K 2700K 30K 3000K 35K 3500K 40K 4000K 50K 5000K	VLO Very Low Output 405 lumens/ft. (4w/ft.) LO Low Output 610 lumens/ft. (6w/ft.) SO Standard Output 795 lumens/ft. (8w/ft.) HO High Output 1,000 lumens/ft. (10w/ft.) VHO Very High Output 1,160 lumens/ft. (12w/ft.) CPO Custom Power Output Consult factory	VLO Very Low Output 460 lumens/ft. (4w/ft.) LO Low Output 695 lumens/ft. (6w/ft.) SO Standard Output 910 lumens/ft. (8w/ft.) HO High Output 1,140 lumens/ft. (10w/ft.) VHO Very High Output 1,330 lumens/ft. (12w/ft.) CPO Custom Power Output Consult factory	UNV Universal (120-277v) 1V 120v 2V 227v 3V 347v*	ND Non - Dimming 0-10V Dimming 10D 10% DIM 1D 1% DIM LUTRON LDE1 Lutron EcoSystem 1% "Soft on" (Digital) LDE5 Lutron EcoSystem 5% 5-Series (Digital) DAL Digital Addressable Lighting Interface	
		2 2' 1-3/8"						
		3 3' 1-3/8"						
		4 4' 1-3/8"						
		5 5' 1-3/8"						
		6 6' 1-3/8"						
		7 7' 1-3/8"						
		8 8' 1-3/8"						
		12 12' 1-3/8"						
		Continuous Run (Specify length in nominal feet)						
		*Dimensions are for reference only. Contact factory for more specific information or shop drawings. **Odd lengths may incur slightly higher per-foot pricing.						
		*Not Applicable with CSD option.						
*Not all dimming options are available with 347v.								

HOUSING FINISH	HARDWARE* DETAIL FINISH	ARM LENGTH*	MOUNTING/COVER PLATE	OPTIONS/CUSTOMIZATION*
SC Satin Clear Anodize (Standard)	MF Machined Finish (Standard)	3 3"	4CPF Flat 4" diameter Cover Plate - For use with a 3-O mud ring CCP Custom Cover Plate (Consult Factory)	EMB7 7 Watt battery back-up** (Approximately 600 lumens) EMB12 12 Watt battery back-up** (Approximately 1,000 lumens) 90 90+ CRI LED BOARDS CCP Corners/patterns* CD Custom Driver* CR Customization Requested* WSN Nlight Air WSE Enlighted WSW Wavelinx Lutron Vive
SW Satin White (Powder Coat)	SW Satin White	6 6"		
MB Matte Black (Powder Coat)	MB Matte Black	9 9"		
CF Custom Finish* (Consult)	CF Custom Finish (Consult Factory)	12 12"		
		Custom Length** (Specify in inches IE: CL10 for 10")		
	NOTE: MF option is strongly recommended. Other options will result in higher costs and potentially longer lead times. **Hardware* refers to the end caps and knuckles (knuckles only for the	*Arm length is measured from the mounting surface to the center of the fixture. **Limitations apply.		NOTE: Customization may incur higher costs and/or increased lead times. *Consult the factory for all custom options or custom concept requests. **The EMB12 is more expensive than the EMB7



ROTATIONAL ARM MOUNT INFORMATION

NOTE: All options italicized in gray may increase lead times and/or incur higher costs - please consult factory with questions.

All fixtures are UL listed for dry and damp locations. INTEGRAL DRIVER for all options. Please contact the factory with any specification questions.

DRIVER: [INTEGRAL]

- 1) NON-DIMMING: As described... this fixture will not dim.
- 2) DIMMING: 0-10v: 1%, 10% :: Lutron: 2-wire Forward phase (Hi-Lume 1%), Ecosystem to 1% (Soft On), Ecosystem to 5% (5 Series). "DALI" - Specify driver. See "Dimming Options" on subsequent pages for more information. For other dimming options, consult the factory.
- 3) EMERGENCY: Specify EMB under the Options/Customization category at the end of the cut sheet along with the desired lumen output (600 or 1,000 lumens - the latter is slightly more costly).
- 4) Drivers are programmed according to our standard lumen packages or to custom watt/lumen package requirements.
- 5) Consult factory with any questions or specification requirements.

FINISHES:

The standard finish is a Satin Clear anodized housing with Machine Finished hardware. Machined finish is preferable for machined components (Hardware Detail) - Powder coating these parts may result in additional costs. Consult the factory with any questions about standard or custom finishing options.

We have numerous custom options available. However, if there is something unique required for a project, from simple options to complete custom requests, we are more than willing to entertain any creative notions you might have. Just ask.

Linear Series - Void 2

PRODUCT SPECIFICATION

- FIXTURE DELIVERED LIGHT POTENTIAL: 108 LUMENS/WATT*
- UNIFORM LIGHT DISTRIBUTION
- 90+ CRI LED DIODE OPTIONS
- EXCEPTIONAL BINNING - LESS THAN 2 STEP MACADAMS ELIPSE
- MINIMUM 70% INITIAL LUMEN OUTPUT AT 70,000 HOURS
- STANDARD 0-10V DIMMING TO %10
- LUTRON, ELDOLED, DALI, AND OTHER DIMMING OPTIONS
- 5 YEAR SYSTEM WARRANTY

*Actual fixture efficacy will be dependent on specification. Higher lumens per watt are achieved with lower drive powers. Please contact the factory with questions or for more information.

LUMEN OUTPUT*

LUMEN OUTPUT (PER FOOT)

DRIVER OUTPUT	WATTAGE	LUMENS	WATTAGE	LUMENS
VERY LOW (VLO)	4	405	4	460
LOW (LO)	6	610	6	695
STANDARD (SO)	8	795	8	910
HIGH (HO)	10	1,000	10	1,140
VERY HIGH (VHO)	12	1,160	12	1,330

LUMEN OUTPUT (PER FOOT)

DRIVER OUTPUT	WATTAGE	LUMENS	WATTAGE	LUMENS
VERY LOW (VLO)	16	1,620	16	1,840
LOW (LO)	24	2,440	24	2,780
STANDARD (SO)	32	3,180	32	3,640
HIGH (HO)	40	4,000	40	4,560
VERY HIGH (VHO)	48	4,640	48	5,320

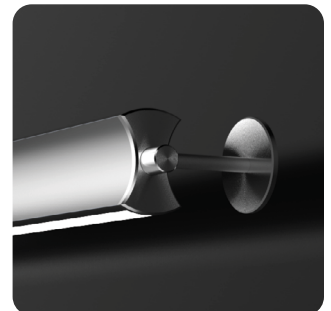
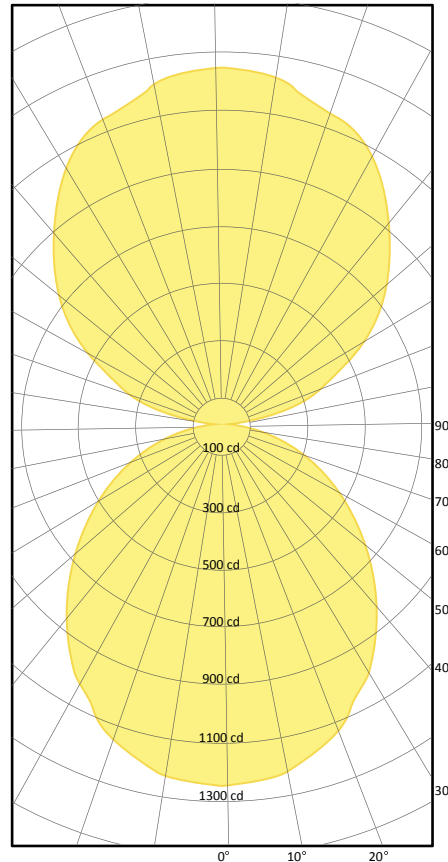
ZONAL LUMEN SUMMARY

ZONE	LUMEN	%LAMP	%FIXTURE
0 - 30	944	10.9%	13.8%
0 - 40	1,514	17.5%	22.2%
0 - 60	2,554	29.6%	37.4%
0 - 90	3,192	37%	46.7%
90 - 120	821	9.5%	12%
90 - 150	2,657	30.8%	38.9%
90 - 180	3,642	42.2%	53.3%
0 - 180	6,834	79.1%	100%

FIXTURE PROPERTIES (AS TESTED)

- 4' nominal length fixture
- Standard Output (SO)
- Total system energy consumption: 64 Watt
- 108 Lumens/Watt
- 4000K 80 CRI LED

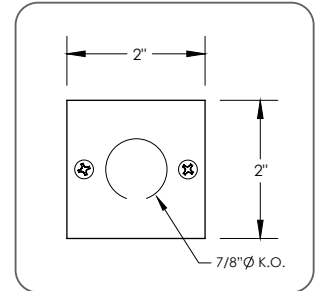
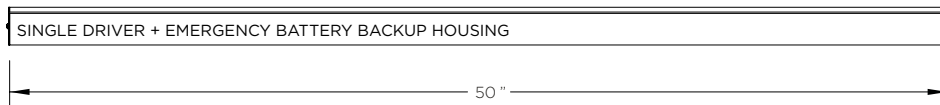
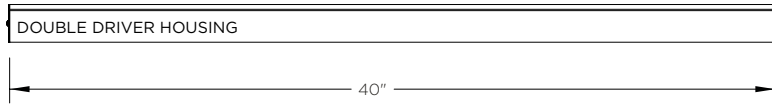
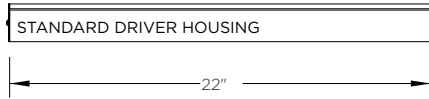
LUMINOUS INTENSITY DISTRIBUTION



Linear Series - Void 2

REMOTE DRIVER HOUSING SIZES

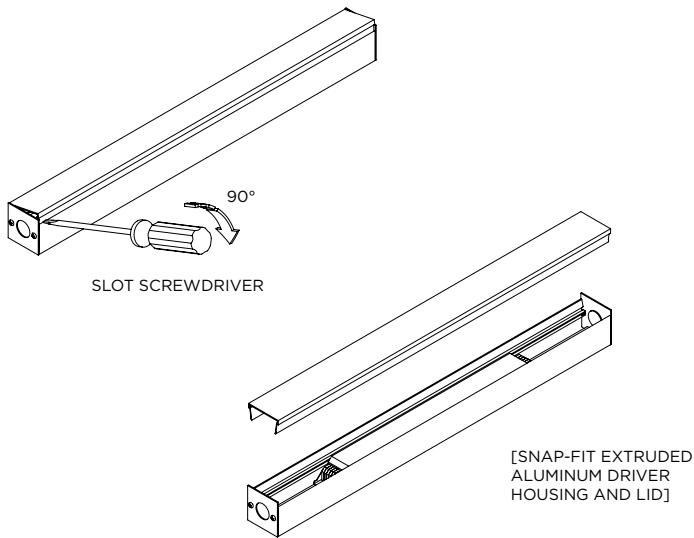
The driver housing length is typically dictated by the options selected. Standard driver housing lengths are as shown. Non standard driver requests may increase or decrease the driver housing length. Specifications are subject to change without notice. Consult factory with questions, requests, or size limitations and we will do our best to accommodate your needs.



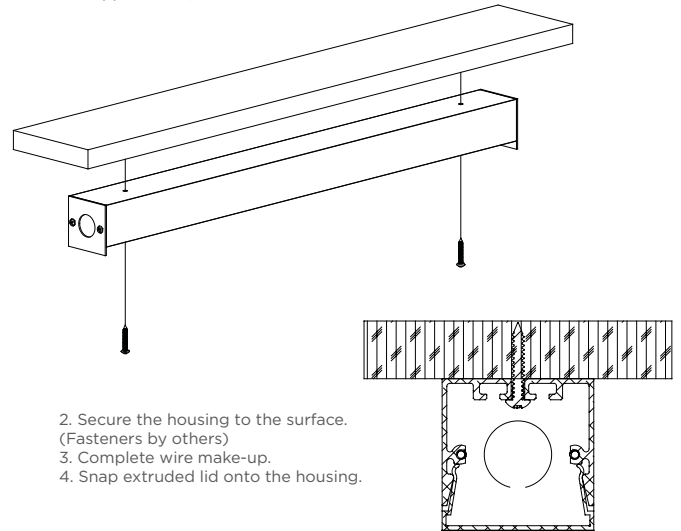
DRIVER HOUSING PROFILE

REMOTE DRIVER INSTRUCTIONS

To remove the driver housing lid, use a broad slot screwdriver in the channel as shown here and twist the screwdriver ninety degrees. This may need to be done at both ends of the housing or multiple locations depending on the driver housing length.

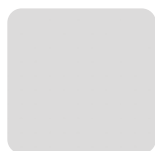


1. Drill mounting holes in the driver housing as needed to secure to a suitable surface. (If needed, a power feed hole can be drilled into the bottom of the housing for certain mounting/power feed applications).



REMOTE DRIVER INSTRUCTIONS

MILL ALUMINUM (MA) IS THE STANDARD FINISH. SATIN WHITE AND SATIN BLACK POWDER COAT AND SATIN CLEAR ANODIZED FINISHES CAN BE DONE FOR A SMALL CHARGE. CUSTOM FINISHES ARE POSSIBLE. CONTACT FACTORY.



Linear Series - Void 2

STANDARD (44 CANOPY OPTION)

44 canopies have two standard options to suit various environment aesthetics. The standard cable suspension system has two 4 - 1/4" canopies with the options of satin white (sw) or matte black (mb) finishes. These canopies can also have a machine finish for a more striking look. This option does carry a higher cost than standard canopies, but also has an impressive appearance.

SATIN WHITE (SW)



MATTE BLACK



MACHINE FINISH (MF)



CUSTOM

Custom canopy options are available and can look as spectacular in certain applications. Contact the factory with all custom requests or with any questions.

CUSTOM POWDER COATING



CUSTOM ANODIZING



CUSTOM SHAPES



Linear Series - Void 2

CONTINUOUS RUN

Continuous runs are available with all fixtures and have several connection options. Single Seam continuous run options offer smooth section transitions while Component Seams lend to a more dramatic visual statement. The 360 Rotational option enables individual sections to rotate independently of each other, which offers adjustable asymmetric light distribution capacity along with striking appearances such as alternating up/down fixtures or spiral transitions. The flexibility within the rotational option makes for infinite design and functional possibilities.



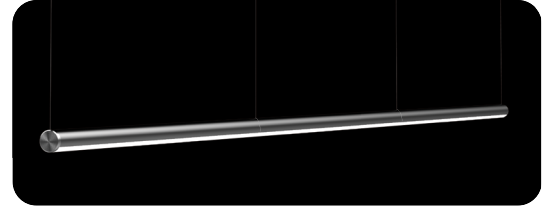
CONTINUOUS RUN
SINGLE SEAM



CONTINUOUS RUN
ROTATIONAL
(SPIRAL EFFECT)



CONTINUOUS RUN
ROTATIONAL

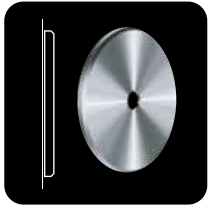


FIXTURE WITH SINGLE SEAM CONTINUOUS RUN

COVER PLATES

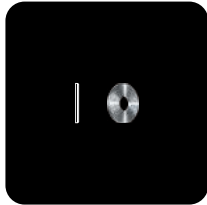
Cover plates are standard for Rotational Arm Mounting (RAM) Systems. Standard options are Flat (FT), Curved (CV), or Trim Ring (TR). With certain applications, cover plates or trim rings may not be necessary. Contact factory with questions or for more information. Custom cover plates are also available. If a certain aesthetic is desired, please contact the factory to review any concepts and we will do our best to bring your vision to life.

STANDARD



FLAT (CPFT)

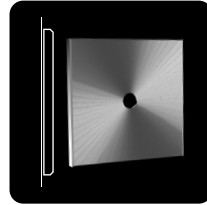
Flat has a 4" diameter cover plate for use with a 3-O mud ring.



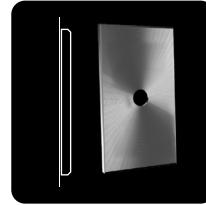
TRIM RING (TR)

1-1/4" diameter trim ring Can be used in applications such as desk mounting.

CUSTOM



SQUARE



TALL RECTANGLE



CUSTOM

CUSTOM

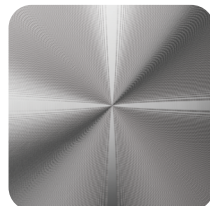
COLOR AND FINISH

Standard finish configurations are Satin Clear (SC) housing with Machined Finish (MF) machined components (end caps, knuckles, cover plates, etc.). The incredibly clean detail within all of the machined components lends to an incredibly high end aesthetic with two tone finish. Numerous custom anodizing and powder coated finishes are available as well. If you have a particular color/finish treatment in mind, please contact the factory and we will do our best to accommodate your project needs.

STANDARD



SATIN CLEAR
ANODIZING



MACHINED
COMPONENTS

CUSTOM



MATTE
BLACK



GLOSS
BLACK



BRONZE



MILL
ALUMINUM



SPECULAR



SATIN
WHITE



GLOSS
WHITE



COLOR POWDER
COAT



COLOR ANODIZE



RAL COLORS