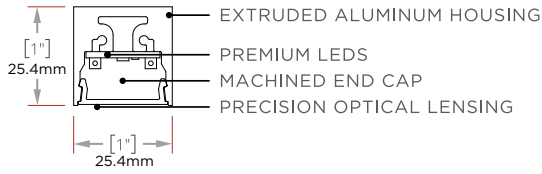


## Linear Series - Square 0

### CABLE SUSPENDED



#### FEATURES:

- POWERED SUSPENSION SYSTEM - NO SEPARATE POWER CORD DROP
- PRECISION OPTICAL LENSING OPTIONS OR HIGH TRANSMISSION FROSTED LENSING
- 1% DIMMING DRIVERS STANDARD
- EXTRUDED ALUMINUM HOUSING WITH NO VISIBLE FASTENERS
- MACHINED ALUMINUM END CAPS WITH EASY ACCESS REMOVAL
- 360 DEGREE ROTATION OPTION WITH MECHANICAL LOCKING

#### PERFORMANCE

##### STATIC WHITE | FLOOD DIRECT

POWER LEVELS	LIGHT DIRECT LM/4FT	TOTAL LIGHT LM/4FT	ENERGY WATTS/4FT	EFFICACY LPW	CCT/CRI
VLO	1939	1939	16	121	4000/80
LO	2718	2718	24	113	4000/80
SO	3598	3598	32	112	4000/80
HO	4329	4329	40	108	4000/80
VHO	5222	5222	48	109	4000/80



##### CCT MULTIPLIERS STATIC WHITE

CCT	2700K		3000K		3500K		4000K		5000K	
CRI	80	90	80	90	80	90	80	90	80	90
MULTIPLIER	0.93	0.79	0.96	0.82	0.97	0.85	1	0.89	1.01	0.89

NOTE: ALL ITALICIZED OPTIONS MAY INCREASE LEAD TIME. PLEASE CONSULT FACTORY WITH QUESTIONS.

FIXTURE MODEL	MOUNTING	NOMINAL LENGTH (FT)	CCT/CRI	DIRECT POWER LEVEL <sup>1</sup>	DIRECT BEAM DISTRIBUTION <sup>1</sup>	INDIRECT POWER LEVEL <sup>1</sup>	INDIRECT BEAM DISTRIBUTION <sup>1</sup>	DRIVER
LS-SQU-0	<b>CSD</b> Cable Suspended Direct Only <b>CSI</b> Cable Suspended Indirect <b>CSR</b> Cable Suspended Rotational	2 3 4 5 6 <i>CP<sup>5,4</sup> Custom Pattern</i> CR <sup>1,2,3</sup> Continuous Run (Specify Length in Nominal Feet)	827 830 835 840 850 927 930 935 940 950 TW2765 WD1827	VL Very low L Low S Standard H High VH Very High	N Narrow Flood F Flood W Wall Wash A Aisle	VL Very low L Low S Standard H High VH Very High	F Flood	1D 0-10V EldoLED 1% 01D 0-10V EldoLED 0.1%  LDE1 Lutron Ecosystem 1% LDE5 Lutron Ecosystem 5%  1DT (TW) <sup>2</sup> 1DW (WD) <sup>2</sup> DALI (INTL)
				1. Select only 'Direct' attributes for CSR & CSD mountings		1. Select only 'Indirect' attributes for CSI mounting		2. 0-10V input - CHOOSE DALI instead for INTL versions

HOUSING FINISH	END CAPS FINISH <sup>1</sup>	DRIVER HOUSING FINISH	CANOPY SIZE	CANOPY FINISH	POWER CORD	CABLE LENGTH	OPTIONS <sup>6</sup>
SC Satin Clear Anodize SW Satin White Powder Coat MB Matte Black Powder Coat CF Custom Finish (Consult Factory)	MF Machined Finish SW Satin White MB Matte Black CF Custom Finish (Consult Factory)	SC Satin Clear SW Satin White MB Matte Black	44 4" Power feed canopy 4" Non-power feed canopy 44E 4" Power feed canopy 4" Non-power feed canopy - International 40 4" Power feed canopy Canopy only at power feed 40E 4" Power feed canopy Canopy only at power feed - International 41 4" Power feed canopy 1" Non-power feed canopy 41E 4" Power feed canopy 1" Non-power feed canopy - International	MF Machine Finish SW Satin White MB Matte Black CF Custom Finish (Consult Factory)	PSS	4 4' 8 8'	EMB7 <sup>1,6</sup> 7 Watt battery back-up (Approximately 600 lumens) EMB12 <sup>1,6</sup> 12 Watt battery back-up (Approximately 1000 lumens) EMW <sup>1</sup> Emergency Circuit Wiring
1. CSR rotational hardware finish matches end cap finish selection		1. EMB/EMW only linked to first section of continuous run 6. Factory EMB and Sensor (WS <sup>5</sup> ) options not avail for INTL					

#### GENERAL NOTES:

All fixtures are UL listed for dry and damp locations. Fixtures with International (E) option designation are CE and RoHS compliant. REMOTE DRIVER for all options. Please contact the factory with any specification questions.

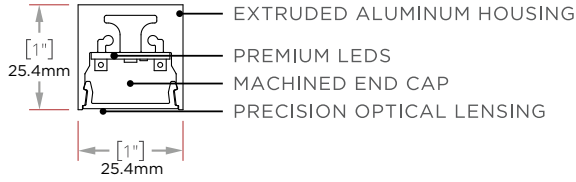


#### FIXTURE ORIENTATION

Direct (CSD) for downlight applications  
 Indirect (CSI) for up light applications  
 Rotational (CSR) for adjustable applications: 360 degree rotational capacity with locking mechanism.

## Linear Series - Square 0

### ROTATIONAL ARM MOUNT



#### FEATURES:

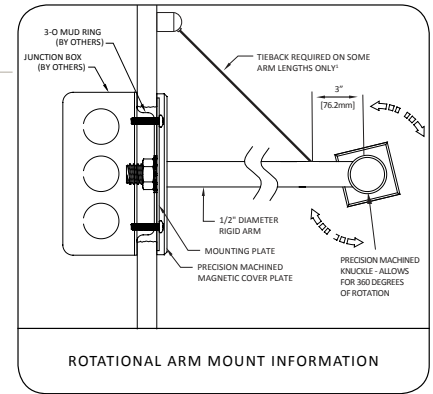
- 1/2" DIAMETER RIGID TUBE MOUNTING SYSTEM
- PRECISION OPTICAL LENSING OPTIONS OR HIGH TRANSMISSION FROSTED LENSING
- 1% DIMMING DRIVERS STANDARD
- EXTRUDED ALUMINUM HOUSING WITH NO VISIBLE FASTENERS
- MACHINED ALUMINUM END CAPS WITH EASY ACCESS REMOVAL
- 360 DEGREE ROTATION OPTION WITH MECHANICAL LOCKING



NOTE: ALL ITALICIZED OPTIONS MAY INCREASE LEAD TIME. PLEASE CONSULT FACTORY WITH QUESTIONS.

FIXTURE MODEL	MOUNTING	NOMINAL LENGTH (FT)	CCT/CRI	DIRECT POWER LEVEL	DIRECT BEAM DISTRIBUTION	DRIVER	HOUSING FINISH
LS-SQU-0	<b>RAM</b> Rotational Arm Mount <b>RAME</b> Rotational Arm Mount - International	2 3 4 5 6  <b>CR<sup>1,3</sup></b> Continuous Run (Specify Length in Nominal Feet)	827 830 835 840 850 927 930 935 940 950  <i>TW2765</i> <i>WD1827</i>	VL Very low L Low S Standard H High VH Very High	N Narrow F Flood F Flood W Wall Wash A Aisle	<b>1D</b> 0-10V EldoLED 1% <i>01D</i> 0-10V EldoLED 0.1%  <b>LDE1</b> Lutron Ecosystem 1% <b>LDE5</b> Lutron Ecosystem 5%  <i>1DT (TW)<sup>2</sup></i> <i>1DW (WD)<sup>2</sup></i> <i>DALI (INTL)</i>	<b>SC</b> Satin Clear Anodize <b>SW</b> Satin White Powder Coat <b>MB</b> Matte Black Powder Coat <b>CF</b> Custom Finish (Consult Factory)
						2. 0-10V input - CHOOSE DALI instead for INTL versions	

END CAPS & RAM HARDWARE FINISH	DRIVER HOUSING FINISH	ARM LENGTH NOM (IN)	MOUNTING PLATE	OPTIONS <sup>6</sup>
<b>MF</b> Machined Finish <b>SW</b> Satin White <b>MB</b> Matte Black <i>CF Custom Finish (Consult Factory)</i>	<b>SC</b> Satin Clear <b>SW</b> Satin White <b>MB</b> Matte Black	3 6 9' 12'	<b>4CPF</b>	<b>EMB7<sup>1,6</sup></b> 7 Watt battery back-up (Approximately 600 lumens) <b>EMB12<sup>1,6</sup></b> 12 Watt battery back-up (Approximately 1000 lumens) <b>EMW<sup>1</sup></b> Emergency Circuit Wiring
		1. Includes Mounting Tieback		1. EMB/EMW only linked to first section of continuous run 6. Factory EMB and Sensor (WS*) options not avail for INTL



#### GENERAL NOTES:

All fixtures are UL listed for dry and damp locations. Fixtures with International (E) option designation are CE and ROHS compliant. REMOTE DRIVER for all options. Please contact the factory with any specification questions.



## Linear Series - Square 0

### DIRECT

#### STATIC WHITE | FLOOD DIRECT

POWER LEVELS	LIGHT DIRECT LM/4FT	TOTAL LIGHT LM/4FT	ENERGY WATTS/4FT	EFFICACY LPW	CCT/CRI
VL	1939	1939	16	121	4000/80
L	2718	2718	24	113	4000/80
S	3598	3598	32	112	4000/80
H	4329	4329	40	108	4000/80
VH	5222	5222	48	109	4000/80

#### CCT MULTIPLIERS, STATIC WH

CCT	80CRI	90CRI
2700K	0.93	0.79
3000K	0.96	0.82
3500K	0.97	0.85
4000K	1.00	0.89
5000K	1.01	0.89

#### DYNAMIC WHITE | FLOOD DIRECT

POWER LEVELS	LIGHT DIRECT LM/4FT	TOTAL LIGHT LM/4FT	ENERGY WATTS/4FT	EFFICACY LPW	CCT/CRI
VL	1361	1361	24	57	4000/90
L	1908	1908	32	60	4000/90
S	2525	2525	36	70	4000/90
H	3039	3039	44	69	4000/90
VH	3665	3665	48	76	4000/90

#### CCT MULTIPLIERS, DYNAMIC WH

CCT	90CRI
2700K	1.09
3000K	1.08
3500K	1.03
4000K	1.00
5000K	0.99
6500K	0.98

#### WARM DIM | FLOOD DIRECT

POWER LEVELS	LIGHT DIRECT LM/4FT	TOTAL LIGHT LM/4FT	ENERGY WATTS/4FT	EFFICACY LPW	CCT/CRI
VL	1429	1429	24	60	2700/90
L	2003	2003	32	63	2700/90
S	2651	2651	36	74	2700/90
H	3190	3190	44	73	2700/90
VH	3848	3848	48	80	2700/90

#### CCT MULTIPLIERS, WARM DIM

CCT	90CRI
1800K	0.02
2250K	0.17
2700K	1.00

#### RGBW | FLOOD DIRECT

POWER LEVELS	CHANNEL (S)	LIGHT DIRECT LM/4FT	TOTAL LIGHT LM/4FT	ENERGY WATTS/4FT	EFFICACY LPW	CCT
S	White	350	350	10	35	4000
S	All	810	810	20	40	N/A

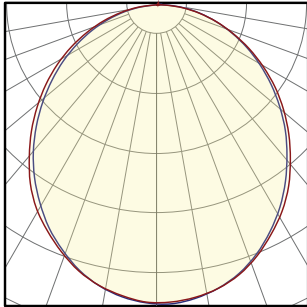
## Linear Series - Square 0

### DIRECT

DIRECT OPTICS: LUMEN OUTPUT (PER 4FT)

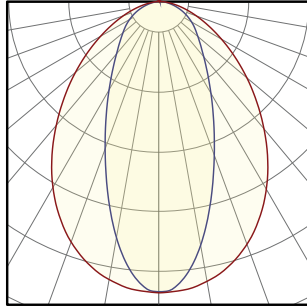
TYPE	CCT/CRI	ENERGY WATTS/4FT	FLOOD LM/4FT	FLOOD LPW	NARROW FLOOD LM/4FT	NARROW FLOOD LPW	AISLE LIGHTER LM/4FT	AISLE LIGHTER LPW	WALL WASH LM/4FT	WALL WASH LPW
STATIC WHITE	4000K/80	S (32W)	3598	112	4226	132	4233	132	4266	133
DYNAMIC WHITE	4000K/90	S (36W)	2525	70	2973	83	2973	83	3005	83
WARM DIM	2700K/90	S (36W)	2651	74	3121	87	3121	87	3155	88
RGBW	ALL CHANNELS UP	S (20W)	810	40	N/A	N/A	N/A	N/A	N/A	N/A

FLOOD\*



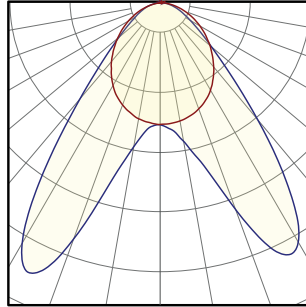
MAX CANDELA: 1349  
DELIVERED LUMENS: 3598  
WATTS: 32  
LPW: 112

NARROW FLOOD\*



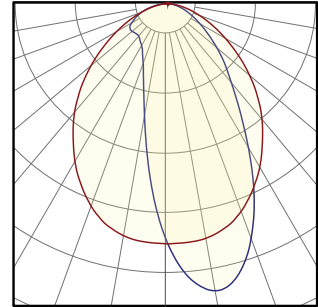
MAX CANDELA: 2909  
DELIVERED LUMENS: 4226  
WATTS: 32  
LPW: 132

AISLE LIGHTER\*



MAX CANDELA: 2303  
DELIVERED LUMENS: 4233  
WATTS: 32  
LPW: 132

WALL WASH\*



MAX CANDELA: 3069  
DELIVERED LUMENS: 4266  
WATTS: 32  
LPW: 133

\*Fixture Properties: 4ft Nominal Length, Standard Output, Static White 4000K/80CRI

### CCT MULTIPLIERS STATIC WHITE

CCT	2700K		3000K		3500K		4000K		5000K	
CRI	80	90	80	90	80	90	80	90	80	90
MULTIPLIER	0.93	0.79	0.96	0.82	0.97	0.85	1	0.89	1.01	0.89

### CCT MULTIPLIERS DYNAMIC WHITE

CCT	2700K	3000K	3500K	4000K	5000K	6000K
CRI	90	90	90	90	90	90
MULTIPLIER	1.09	1.08	1.03	1	0.99	0.98

### CCT MULTIPLIERS WARM DIM

CCT	1800K	2250K	2700K
CRI	90	90	90
MULTIPLIER	0.02	0.17	1

### POWER LEVEL MULTIPLIERS

POWER	VLO	LO	SO	HO	VHO
STATIC WHITE	0.53	0.75	1	1.2	1.45
DYNAMIC WHITE	0.53	0.75	1	1.2	1.45
WARM DIM	0.53	0.75	1	1.2	1.45

## Linear Series - Square 0

PROJECT \_\_\_\_\_

TYPE \_\_\_\_\_

### MOUNTING



#### CABLE SUSPENDED (CS) CABLE SUSPENDED DIRECT (CSD)

This fixture can be a static down-light: Direct (CSD) or static up-light: Indirect (CSI). Aircraft cables come in 4ft and 8ft lengths and are field adjustable.



#### CABLE SUSPENDED - ROTATIONAL (CSR)

Using a similar setup to the Cable Suspended system above, the Cable Suspended - Rotational system has 360 degree rotational capacity with mechanical fasteners to lock fixtures in place if desired. This system offers incredible flexibility, light direction control, and a dynamic aesthetic.



#### ROTATIONAL ARM MOUNT (RAM)

This system uses 5/8" diameter aluminum arms and subtle details in combination with a 360 degree rotational capacity to create some of the most versatile linear fixtures in the architectural market. Standard mounting uses 3/0 mud rings (supplied by others). Engineered with no visible fasteners, smooth rotation, and mechanical locking, the RAM system reveals an impressive aesthetic with exceptional versatility.

### CONTINUOUS RUN (CR)

Our 360 degree rotational continuous run option enables individual sections to rotate independently of each other, which offers adjustable asymmetric light distribution capacity along with striking appearances such as alternating up/down fixtures or spiral transitions. The flexibility within the rotational option makes for infinite design and functional possibilities.



CONTINUOUS RUN ROTATIONAL



CONTINUOUS RUN ROTATIONAL  
(SPIRAL EFFECT)



FIXTURE WITH CONTINUOUS RUN ROTATIONAL

### CANOPIES

44



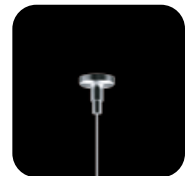
4" diameter power feed and 4" diameter non-power feed canopy.

40



4" diameter machined power feed canopy and no canopy on the non-power feed side. Minimal aesthetic. Requires a 1/4-20 stud securely attached to the ceiling.

41



4" diameter machined power feed and 1-1/4" diameter machined non-power feed canopy. Offers minimal ceiling treatment while maintaining the ability to cover mistakes. Requires a 1/4-20 stud securely fastened to the ceiling.

#### 44E, 41E, 40E (\*\*E) International Canopy



INTL POWERFEED CANOPY  
FOR REMOTE DRIVER  
FIXTURES (PSS CABLE)

This powerfeed canopy replaces the flat style canopy from the North American mounting style (44, 41, & 40) versions pictured)

PROJECT \_\_\_\_\_

TYPE \_\_\_\_\_

## Linear Series - Square 0

### COLOR AND FINISH

Standard luminaire housing finishes are Satin Clear anodized, Matte Black powder coat, and Satin White powder coat. Standard hardware (end caps, knuckles, cover plates, etc.) finishes are Machined Finish, Matte Black powder coat, & Satin White powder coat. Custom anodizing and powder coated finishes are available as well. If you have a particular color/finish treatment in mind, please contact the factory and we will do our best to accommodate your project needs.

#### LUMINAIRE



SATIN CLEAR ANODIZING

#### STANDARD



**RAL 9005**

MATTE BLACK



**RAL 9003**

SATIN WHITE

#### CUSTOM



BRONZE



COLOR ANODIZE

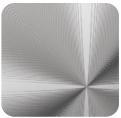


SPECULAR



RAL COLORS

#### HARDWARE



MACHINED COMPONENTS



**RAL 9005**

MATTE BLACK



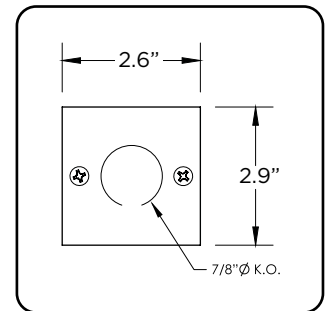
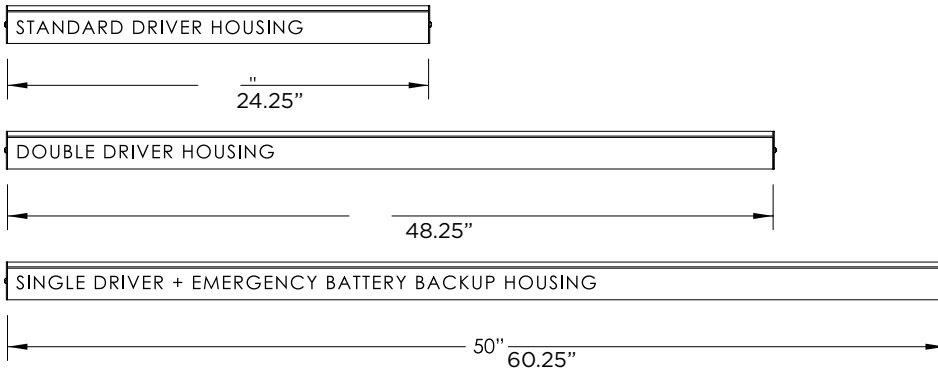
**RAL 9003**

SATIN WHITE

## Linear Series - Square 0

### REMOTE DRIVERS HOUSING SIZE

The driver housing length is typically dictated by the options selected. Standard driver housing lengths are as shown. Non standard driver requests may increase or decrease the driver housing length. Specifications are subject to change without notice. Consult factory with questions, requests, or size limitations and we will do our best to accommodate your needs.

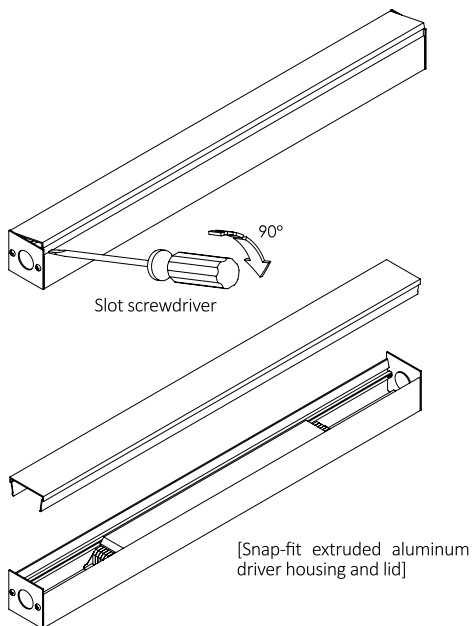


DRIVER HOUSING PROFILE

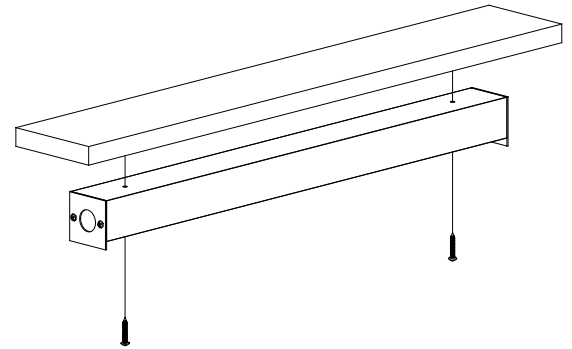
### INSTRUCTIONS

See below for lid removal and installation instructions.

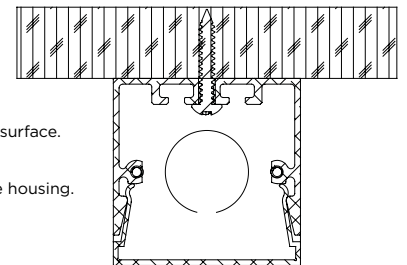
To remove the driver housing lid, use a broad slot screwdriver in the channel as shown here and twist the screwdriver ninety degrees. This may need to be done at both ends of the housing or multiple locations depending on the driver housing length.



- 1) Drill mounting holes in the driver housing as needed to secure to a suitable surface. (If needed, a power feed hole can be drilled into the bottom of the housing for certain mounting/power feed applications).



- 2) Secure the housing to the surface. (Fasteners by others)
- 3) Complete wire make-up. Snap extruded lid onto the housing.



## Linear Series - Square 0

### WELDED CORNERS

- Luminaire housing is custom mitered & welded for a clean corner appearance
- Lens is also mitered for lens-to-lens interfaces that mirror the mitered housing
- Lens is illuminated to the corner (AKA: lit corners)
- Adjustable aircraft cable suspension system
- High quality powder coated finish (anodized finishes not available with welded custom patterns).

### CUSTOMER INSTRUCTIONS

A. Select "CP" option in the ordering block (found in the NOMINAL LENGTH column)

B. Submit simple drawing(s) with the following info:

- Provide number of legs of pattern
- Length of each leg (A, B, C, D, etc)
- Angles of corners (a1, b1, c1, d1, etc)

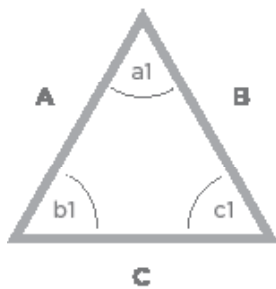
1. For '3 dimensional' patterns, please provide side view(s) with desired angles, in addition to a top view.

2. Minimum corner angle is 30 degrees.



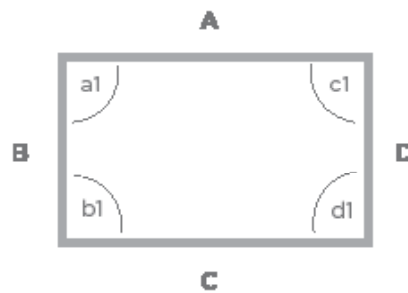
CUSTOM PATTERN PICTURED

### EXAMPLES:



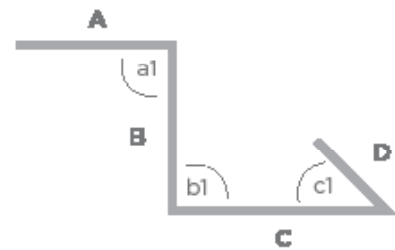
#### Customer Specification

1. Qty Legs = 3
2. A, B, C = 3ft
3. a1, b1, c1 = 60 deg



#### Customer Specification

1. Qty Legs = 4
2. A & C = 8ft, B & D = 4ft
3. a1, b1, c1, d1 = 90 deg



#### Customer Specification

1. Qty Legs = 4
2. A = 8ft, B = 6ft, C = 6ft, D = 4ft-3in
3. a1 & b1 = 90 deg, c1 = 45 deg