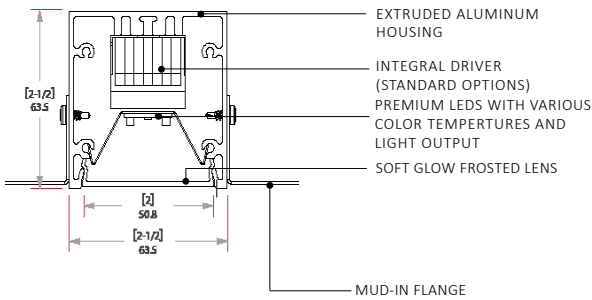
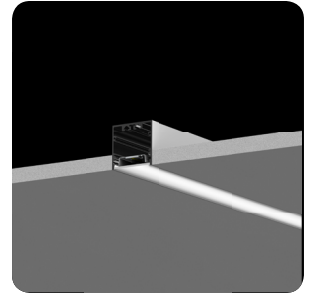


## Linear Recessed Series - Round 2



### • FEATURES:

- 2" aperture recessed fixture
- High transmission frosted lenses with no diode imaging
- No visible fasteners
- Extruded aluminum housing
- Dimmable/Programmable drivers for controllable light output
- High efficacy LEDs with 5 year warranty
- Under 2 steps MacAdams Ellipse Binning
- Nearly limitless Continuous Runs



NOTE: ALL OPTIONS ITALICIZED MAY INCREASE LEAD TIMES AND/OR INCUR HIGHER COSTS - PLEASE CONSULT FACTORY WITH QUESTIONS.

FIXTURE MODEL	MOUNTING	NOMINAL LENGTH*	COLOR TEMP	LED DRIVE POWER	VOLTAGE	DRIVER
LS-LRD-2	<i>DMI</i> Dry Wall	<b>1</b>	<b>27K</b> <i>2700K</i>	<i>VLO</i> Very Low Output	<b>UNV</b> Universal (120-277v) <b>1V</b> 120v <b>2V</b> 227v <b>3V</b> <b>347v*</b>	<b>ND</b> Non - Dimming 0-10V Dimming <b>10D</b> 10% DIM <b>1D</b> 1% DIM  LUTRON <b>LDE1</b> Lutron EcoSystem 1% "Soft on" (Digital) <b>LDE5</b> Lutron EcoSystem 5% 5-Series (Digital) DAL <b>DALI</b> Digital Addressable Lighting Interface
	Mud-In	<b>2</b>	<b>30K</b> <i>3000K</i>	405 lumens/ft. (4w/ft.)		
	<i>ACT15</i> 15/16" Grid Act	<b>3</b>	<b>35K</b> <i>3500K</i>	<i>LO</i> Low Output		
	<i>ACT9</i> 9/16" Grid Act	<b>4</b>	<b>40K</b> <i>4000K</i>	610 lumens/ft. (6w/ft.)		
		<b>5</b>	<b>50K</b> <i>5000K</i>	<i>SO</i> Standard Output		
		<b>6</b>		795 lumens/ft. (8w/ft.)		
		<b>7</b>		<i>HO</i> High Output		
		<b>8</b>		1,000 lumens/ft. (10w/ft.)		
		<b>CR</b> __		<i>VHO</i> Very High Output		
			1,160 lumens/ft. (12w/ft.)			
			<i>CPO</i> Custom Power Output Consult factory			
			*Not Applicable with CSD option.		*Not all dimming options are available with 347v.	

HOUSING FINISH	OPTIONS/CUSTOMIZATION*
<b>SW</b> Satin White (Standard)	<i>EMB7</i> 7 Watt battery back-up** (Approximately 600 lumens)
<b>CF</b> Custom Finish* (Consult Factory)	<i>EMB12</i> 12 Watt battery back-up** (Approximately 1,000 lumens)
	<b>90</b> (Approximately 1,000 lumens)
	<b>CCP</b> lumens)
	<b>CD</b> 90+ CRI LED BOARDS
	<b>CR</b> Corners/patterns*
	<b>WSN</b> Custom Driver*
	<b>WSE</b> Customization Requested*
	<b>WSW</b> ed*
	<b>WSL</b> Nlight Air Enlighted Wavelinx Lutron Vive
	NOTE: Customization may incur higher costs and/or increased lead times. *Consult the factory for all custom options or custom concept requests. **The EMB12 is slightly more expensive than the EMB7 option (BOTH OPTIONS ARE INTEGRAL).
*RAL and color match are available.	

### GENERAL NOTES:

All fixtures are UL listed for dry and damp locations. Fixtures with International (E) option designation are CE and ROHS compliant. INTEGRAL DRIVER for all options. Please contact the factory with any specification questions.



### FIXTURE ORIENTATION

Direct (CSD) for downlight applications  
Indirect (CSI) for up light applications  
Rotational (CSR) for adjustable applications: 360 degree rotational capacity with locking mechanism.

## Linear Recessed Series - Round 2

### PRODUCT SPECIFICATION

- FIXTURE DELIVERED LIGHT POTENTIAL: 108 LUMENS/WATT\*
- UNIFORM LIGHT DISTRIBUTION
- 90+ CRI LED DIODE OPTIONS
- EXCEPTIONAL BINNING - LESS THAN 2 STEP MACADAMS ELIPSE
- MINIMUM 70% INITIAL LUMEN OUTPUT AT 70,000 HOURS
- STANDARD 0-10V DIMMING TO %10
- LUTRON, ELDOLED, DALI, AND OTHER DIMMING OPTIONS
- 5 YEAR SYSTEM WARRANTY

\*Actual fixture efficacy will be dependent on specification. Higher lumens per watt are achieved with lower drive powers. Please contact the factory with questions or for more information.

### LUMEN OUTPUT\*

#### LUMEN OUTPUT (PER FOOT)

DRIVER OUTPUT	WATTAGE	LUMENS
VERY LOW (VLO)	4	400
LOW (LO)	6	605
STANDARD (SO)	8	795
HIGH (HO)	10	995
VERY HIGH (VHO)	12	1,155

#### PER 4' FIXTURE (TOTAL DELIVERED LUMENS)

DRIVER OUTPUT	WATTAGE	LUMENS
VERY LOW (VLO)	16	1,600
LOW (LO)	24	2,420
STANDARD (SO)	32	3,180
HIGH (HO)	40	3,980
VERY HIGH (VHO)	48	4,620

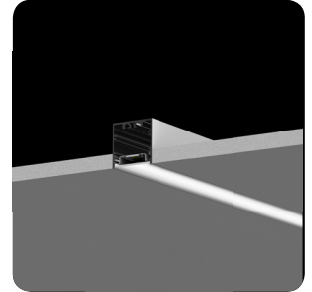
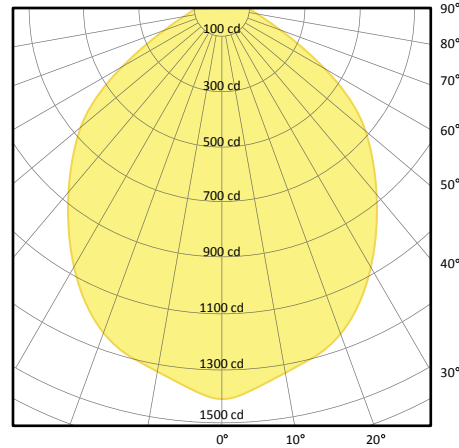
### ZONAL LUMEN SUMMARY

ZONE	LUMEN	%LAMP	%FIXTURE
0 - 30	938	21.7%	29.5%
0 - 40	1,512	35%	47.6%
0 - 60	2,571	59.5%	81%
0 - 90	3,176	73.5%	100%

### FIXTURE PROPERTIES (AS TESTED)

- 4' nominal length fixture
- Standard Output (SO)
- Total system energy consumption: 64 Watt
- 101 Lumens/Watt
- 4000K 80 CRI LED

### LUMINOUS INTENSITY DISTRIBUTION



### GENERAL NOTES:

All fixtures are UL listed for dry and damp locations. Fixtures with International (E) option designation are CE and ROHS compliant. INTEGRAL DRIVER for all options. Please contact the factory with any specification questions.



### FIXTURE ORIENTATION

Direct (CSD) for downlight applications  
 Indirect (CSI) for up light applications  
 Rotational (CSR) for adjustable applications: 360 degree rotational capacity with locking mechanism.