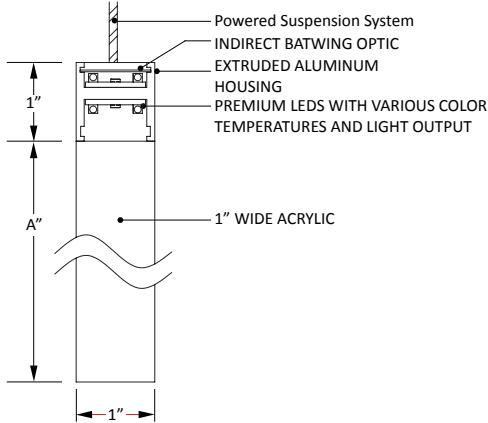


## Linear Recessed Series - Edge 1

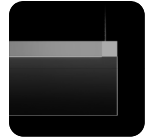
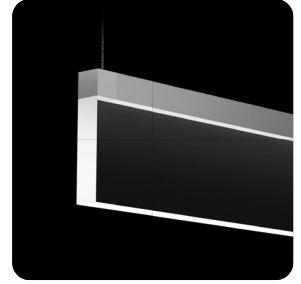


### FEATURES:

- Clear blade with 1" thickness "Floating Lens"
- Indirect Batwing optic option
- No visible fasteners
- Extruded aluminum housing
- Dimmable/Programmable drivers for controllable light output
- High efficacy LEDs with 5 year warranty
- Under 2 steps MacAdams Ellipse Binning

### NOTES:

- **REQUIRES REMOTE DRIVER(S)**
- Remote Driver Max Distance: 100ft with 12 gauge wire



### PRODUCT SPECIFICATION

NOTE: All options *italicized* may increase lead times and/or incur higher costs - please consult factory with questions.

FIXTURE TYPE	MOUNTING/DISTRIBUTION	NOMINAL LENGTH*	BLADE HEIGHT	A COLOR TEMP	LED DRIVE		VOLTAGE	DRIVER	HOUSING FINISH
					DIRECT	INDIRECT*			
LS-EDG-1	CS Cable Suspended - BI-DIRECTIONAL CSD Cable Suspended - DIRECT ONLY	1' 2' 3' 4' CR ___' Continuous Run** (Specify in nominal length in feet)	BH2 2" BH4 4" BH6 6" CH Custom Height*	27K 2700K 30K 3000K 35K 3500K 40K 4000K 50K 5000K RGBW *	ELO Extremely Low Output 200 lumens/ft (2w/ft.)	N/A Not Applicable (DIRECT ONLY)	UNV Universal (120-277V) 1V 120v 2V 227v 3V 347v*	ND Non-Dimming 0-10v DIMMING 10D 10% DIM 1D 1% DIM LUTRON	SC Satin Clear Anodize SW Satin White (Powder Coat) MB Black (Anodized) CF Custom Finish* (Consult Factory) CF:
					VLO Very Low Output 390 lumens/ft (4w/ft.)	ELO Extremely Low Output 225 lumens/ft (2w/ft.)			
					LO Low Output 590 lumens/ft. (6w/ft.)	VLO Very Low Output 440 lumens/ft (4w/ft.)		LDE1 Lutron EcoSystem 1% "Soft on" (Digital) LDES Lutron EcoSystem 5% 5-Series (Digital) SPECIAL	
					SO Standard Output 775 lumens/ft. (8w/ft.)	LO Low Output 660 lumens/ft. (6w/ft.)		DAI Digital Addressable Lighting Interface DMX Digital Multiplex CD Custom Driver (Consult Factory)	
					HO High Output 965 lumens/ft. (10w/ft.)	SO Standard Output 870 lumens/ft. (8w/ft.)			
					VHO Very High Output 1,125 lumens/ft. (12w/ft.)	HO High Output 1,085 lumens/ft. (10w/ft.)			
					CPO Custom Power Output Consult factory	VHO Very High Output 1,265 lumens/ft. (12w/ft.)			
					CPO:	CPO Custom Power Output Consult factory			
							*Not all dimming options are available with 347v.		*RAL and color match are available.

DRIVER HOUSING FINISH	BOTTOM BLADE OPTICS	SIDE BLADE OPTICS	BLADE FACES	CANOPY SIZE OPTIONS*	CANOPY FINISH	POWER CORD	AIRCRAFT CABLE LENGTH*	OPTIONS/CUSTOMIZATION*
MA Mill Aluminum* SC Satin SW Clear SB Satin CF White Matte Black Custom Finish (Consult Factory)	FRB Standard Luminous Frosted Bottom Lens	FRE Frosted Edges CLE Clear Luminous Edges	CLF Clear Faces FRF Frosted Faces CPF Custom Pattern Faces (Consult Factory)	44 4 - 1/4" Diameter Canopies 2MIC 2" Mud-In Canopy** 2ACT 2" ACT Canopy** 2TBC 1-5/8" T-Bar PSS Power Feed Option CC Custom Canopy (Consult Factory)	SW Satin White MB Matte Black MF Machine Finish CF Custom Finish (Consult Factory)	PSS Power Suspension System* (No Power Cord) CC Custom Cord (Consult Factory)	2 2' 4 4' 6 6' 8 8' CL Custom Length** (Specify in feet I.E: CL10 for 10')	EMB7 7 Watt battery back-up** (Approximately 700 lumens) EMB12 12 Watt battery back-up** (Approximately 1,200 lumens) 90 90+ CRI LED BOARDS CD Custom Driver* CR Customization Requested* DUAL Dual switching/dimming CD: CR:
CF:	*Limited to 4' lengths or shorter			*Consult factory for other canopy **See Zero Canopy section on Page 02	CF:	*Weight limitations apply - Factory will notify if alternate options are required.	*Cables are field adjustable. ** Consult factory to confirm the specific length.	NOTE: Customization may incur higher costs and/or increased lead times. *Consult the factory for all custom options or custom concept requests. **The EMB12 is slightly more expensive than the EMB7 option (BOTH OPTIONS ARE REMOTE ONLY).

### SPECIFICATION INFORMATION

#### GENERAL NOTES:

All fixtures are **UL listed** for **dry** and **damp** locations.

**REMOTE DRIVER** for all options.

Please contact the factory with any specification questions.

**Italicized** options may incur additional costs and/or extended lead times. Please consult the factory.

#### FIXTURE ORIENTATION:

Bidirectional (CS) for downlight and uplight applications.

Direct (CSD) for downlight applications.

#### DRIVER: [REMOTE]

1) NON-DIMMING: As described... this fixture will not dim.

2) DIMMING: 0-10v: 1%, 10% :: Lutron: 2-wire Forward phase (Hi-Lume 1%), Ecosystem to 1% (Soft On), Ecosystem to 5% (5 Series). "DALI" - Specify driver. See "Dimming Options" on subsequent pages for more information. For other dimming options, consult the factory.

3) EMERGENCY: Specify EMB under the Options/Customization category at the end of the cut sheet along with the desired lumen output (700 or 1,200 lumens - the latter is slightly more costly).

4) Drivers are programmed according to our standard lumen packages or to custom watt/lumen package requirements.

5) Consult factory with any questions or specification requirements.

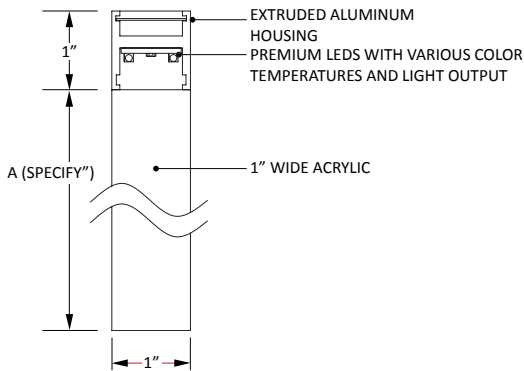
#### FINISHES:

The standard finish options vary from Satin Clear anodized, Satin White, or Matte Black housing. Consult the factory with any questions about standard or custom finishing options.

#### CUSTOMIZATION:

We have numerous custom options available. However, if there is something unique required for a project, from simple options to complete custom requests, we are more than willing to entertain any creative notions you might have. Just ask.

## Linear Recessed Series - Edge 1

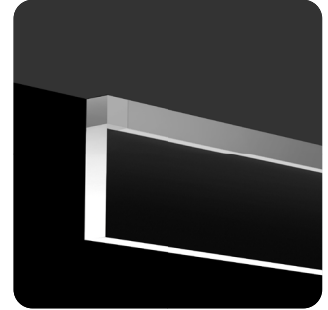


### FEATURES:

- Clear blade with 1" thickness "Floating Lens"
- No visible fasteners
- Extruded aluminum housing
- Dimmable/Programmable drivers for controllable light output
- High efficacy LEDs with 5 year warranty
- Under 2 steps MacAdams Ellipse Binning

### NOTES:

- **REQUIRES REMOTE DRIVER(S)**
- Remote Driver Max Distance: 100ft with 12 gauge wire



### PRODUCT SPECIFICATION

**NOTE:** All options *italicized* may increase lead times and/or incur higher costs - please consult factory with questions.

FIXTURE TYPE	MOUNTING/DISTRIBUTION	NOMINAL LENGTH*	BLADE <sup>A</sup> HEIGHT	COLOR TEMP	LED DRIVE POWER	VOLTAGE
LS-EDG-1	<b>SMT</b> Surface Mount Top <b>DMI</b> Recessed Mud-In	1' 2' 3' 4' <b>CR</b> Continuous Run** (Specify in nominal length in feet)	<b>BH2</b> 2" <b>BH4</b> 4" <b>BH6</b> 6" <b>CH</b> Custom Height*  CH:	<b>27K</b> 2700K <b>30K</b> 3000K <b>35K</b> 3500K <b>40K</b> 4000K <b>50K</b> 5000K <b>RGBW</b> RGBW*	<b>ELO</b> Extremely Low Output 200 lumens/ft. (2w/ft.) <b>VLO</b> Very Low Output 390 lumens/ft. (4w/ft.) <b>LO</b> Low Output 590 lumens/ft. (6w/ft.) <b>SO</b> Standard Output 775 lumens/ft. (8w/ft.) <b>HO</b> High Output 965 lumens/ft. (10w/ft.) <b>VHO</b> Very High Output 1,125 lumens/ft. (12w/ft.) <b>CPO</b> Custom Power Output Consult factory  CPO:	<b>UNV</b> Universal (120-277v) <b>1V</b> 120v <b>2V</b> 227v <b>3V</b> 347v*  *Not all dimming options are available with 347v.
		*Dimensions are for reference only. Consult factory for more specific information or shop drawings. **CONSULT FACTORY	*Consult factory if larger than 12".	*Not all driver options are available with RGBW.		

DRIVER	HOUSING FINISH	BOTTOM BLADE OPTICS	SIDE BLADE OPTICS	BLADE FACES	OPTIONS/CUSTOMIZATION*
<b>ND</b> Non-Dimming 0-10v DIMMING <b>10D</b> 10% DIM <b>1D</b> 1% DIM  LUTRON <b>LDE1</b> Lutron EcoSystem 1% "Soft on" (Digital) <b>LDE5</b> Lutron EcoSystem 5% 5-Series (Digital)  SPECIAL <b>DALI</b> Digital Addressable Lighting Interface <b>DMX</b> Digital Multiplex <b>CD</b> Custom Driver (Consult Factory)  CD:	<b>SC</b> Satin Clear Anodize <b>SW</b> Satin White (Powder Coat) <b>MB</b> Matte Black (Anodized) <b>CF</b> Custom Finish* (Consult Factory)  CF:  *RAL and color match are available.	<b>FRB</b> Standard Luminous Frosted Bottom Lens	<b>FRE</b> Frosted Edges <b>CLE</b> Clear Luminous Edges	<b>CLF</b> Clear Faces <b>FRF</b> Frosted Faces <b>CPF</b> Custom Pattern Faces (Consult Factory)  CFP:	<b>EMB7</b> 7 Watt battery back-up** (Approximately 700 lumens) <b>EMB12</b> 12 Watt battery back-up** (Approximately 1,200 lumens) <b>90</b> 90+ CRI LED BOARDS <b>CD</b> Custom Driver* <b>CR</b> Customization Requested* <b>DUAL</b> Dual switching/dimming  CD: CR:  NOTE: Customization may incur higher costs and/or increased lead times. *Consult the factory for all custom options or custom concept requests. **The EMB12 is slightly more expensive than the EMB7 option (BOTH OPTIONS ARE REMOTE ONLY).

### SPECIFICATION INFORMATION

#### GENERAL NOTES:

All fixtures are **UL listed** for **dry** and **damp** locations.

**REMOTE DRIVER** for all options.

Please contact the factory with any specification questions.

**Italicized** options may incur additional costs and/or extended lead times. Please consult the factory.



#### FIXTURE ORIENTATION:

Bidirectional (CS) for downlight and uplight applications.

Direct (CSD) for downlight applications.

#### DRIVER: [REMOTE]

- 1) NON-DIMMING: As described... this fixture will not dim.
- 2) DIMMING: 0-10v: 1%, 10% :: Lutron: 2-wire Forward phase (Hi-Lume 1%), Ecosystem to 1% (Soft On), Ecosystem to 5% (5 Series). "DALI" - Specify driver. See "Dimming Options" on subsequent pages for more information. For other dimming options, consult the factory.
- 3) EMERGENCY: Specify EMB under the Options/Customization category at the end of the cut sheet along with the desired lumen output (700 or 1,200 lumens - the latter is slightly more costly).
- 4) Drivers are programmed according to our standard lumen packages or to custom watt/lumen package requirements.
- 5) Consult factory with any questions or specification requirements.

#### FINISHES:

The standard finish options vary from Satin Clear anodized, Satin White, or Matte Black housing. Consult the factory with any questions about standard or custom finishing options.

#### CUSTOMIZATION:

We have numerous custom options available. However, if there is something unique required for a project, from simple options to complete custom requests, we are more than willing to entertain any creative notions you might have. Just ask.

## Linear Recessed Series - Edge 1

### PRODUCT SPECIFICATION

- Fixture delivered light potential: 98 Lumens/Watt\*
- Uniform light distribution
- 90+ CRI LED diode options
- Exceptional binning- less than 2 step MacAdams Ellipse
- Minimum 70% initial lumen output at 70,000 hours
- Standard 0-10v dimming to %10
- Lutron, Eldoled, Dali, and other dimming options
- 5 year system warranty

\*Actual fixture efficacy will be dependent on specification. Higher lumens per watt are achieved with lower drive powers. Please contact the factory with questions or for more information.

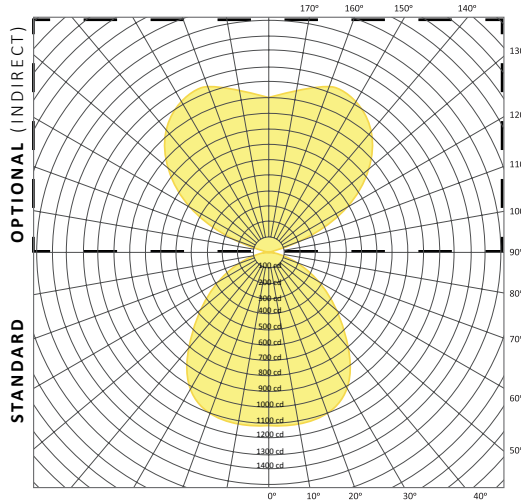
### LUMEN OUTPUT\*

DRIVER OUTPUT	LUMEN OUTPUT (PER FOOT)			
	— DIRECT —		— INDIRECT —	
	WATTAGE	LUMENS	WATTAGE	LUMENS
EXTREMELY LOW	2	200	2	225
VERY LOW	4	390	4	440
LOW	6	590	6	660
STANDARD	8	775	8	890
HIGH	10	965	10	1,115
VERY HIGH	12	1,125	12	1,300

DRIVER OUTPUT	PER 4' FIXTURE (TOTAL DELIVERED LUMENS)			
	— DIRECT —		— INDIRECT —	
	WATTAGE	LUMENS	WATTAGE	LUMENS
EXTREMELY LOW	8	800	8	900
VERY LOW	16	1,605	16	2,110
LOW	24	2,430	24	3,190
STANDARD	32	3,185	32	4,180
HIGH	40	3,990	40	5,230
VERY HIGH	48	4,635	48	6,085

\*Lumen output will vary depending on ambient temperature. Cooler ambient and LED color temperatures result in higher luminaire performance. Calculations are based on 4000K LEDs.

### LUMINOUS INTENSITY DISTRIBUTION



### LUMINAIRE PROPERTIES (AS TESTED)

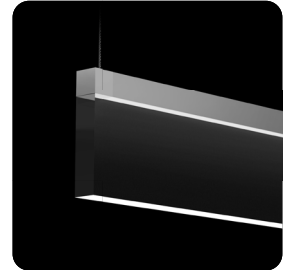
- 4' nominal length fixture
- Standard Output (SO)
- Total system energy consumption: 98 Watt
- 98 Lumens/Watt
- 4000K 80 CRI LED

### LUMINAIRE EFFICACY

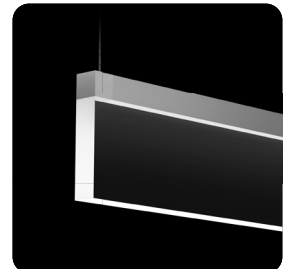
CRI	40K	35K	30K	35K
80	115	112	110	108
90	94	91	90	88

### ZONAL LUMEN SUMMARY

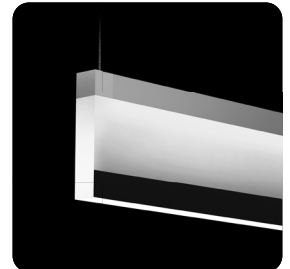
ZONE	LUMEN	%LAMP	%FIXTURE
0 - 30	910	10.5%	13.9%
0 - 40	1,470	17%	22.3%
0 - 60	2,410	27.9%	36.6%
0 - 90	2,970	34.4%	45.1%
90 - 120	770	8.9%	11.7%
90 - 150	2,710	31.4%	41.2%
90 - 180	3,605	41.8%	54.9%
0 - 180	6,575	76.1%	100%



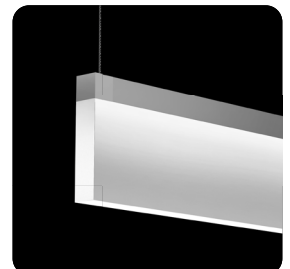
NON-LUMINOUS CLEAR EDGES (CLE)



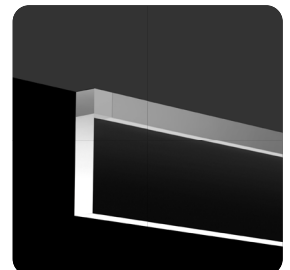
FROSTED EDGES (FRE)



CUSTOM FROSTED FACE



ENTIRE FACE FROSTED

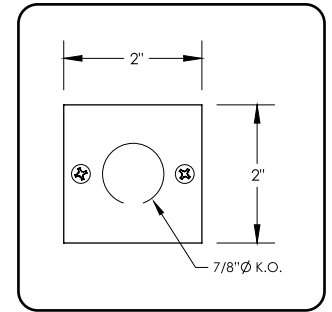
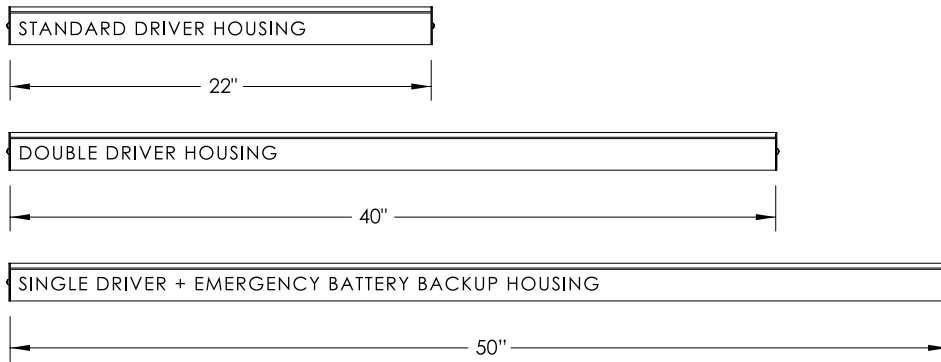


SURFACE MOUNT TOP (SMT)

## Linear Recessed Series - Edge 1

### REMOTE DRIVER HOUSING SIZES

The driver housing length is typically dictated by the options selected. Standard driver housing lengths are as shown. Non standard driver requests may increase or decrease the driver housing length. Specifications are subject to change without notice. Consult factory with questions, requests, or size limitations and we will do our best to accommodate your needs.

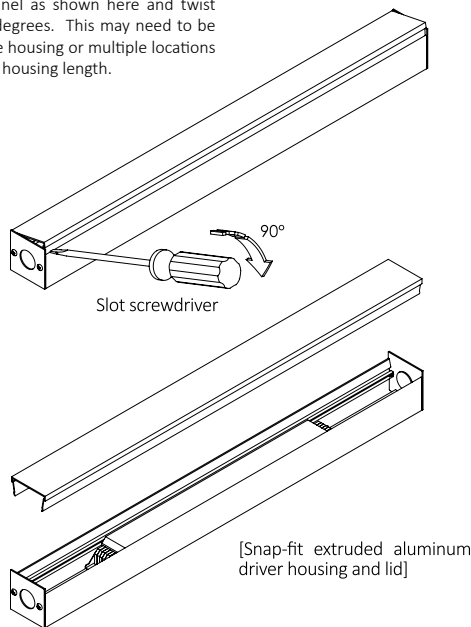


DRIVER HOUSING PROFILE

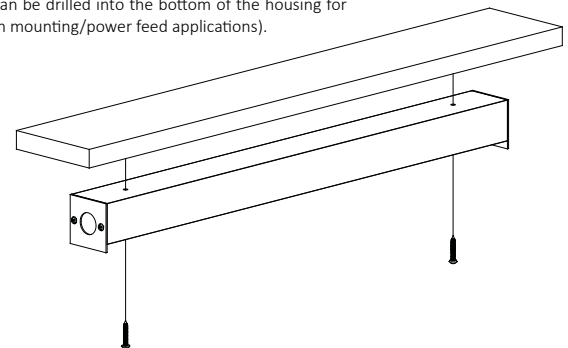
### INSTRUCTIONS

See below for lid removal and installation instructions.

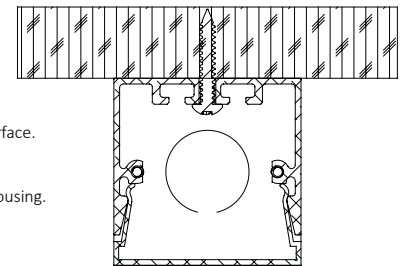
To remove the driver housing lid, use a broad slot screwdriver in the channel as shown here and twist the screwdriver ninety degrees. This may need to be done at both ends of the housing or multiple locations depending on the driver housing length.



1) Drill mounting holes in the driver housing as needed to secure to a suitable surface. (If needed, a power feed hole can be drilled into the bottom of the housing for certain mounting/power feed applications).

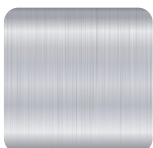


- 2) Secure the housing to the surface. (Fasteners by others)
- 3) Complete wire make-up.
- 4) Snap extruded lid onto the housing.



### FINISHES

Mill Aluminum (MA) is the standard finish. Satin White and Satin Black powder coat and Satin Clear anodized finishes can be done for a small charge. Custom finishes are possible. Contact the factory for specific finish options, specific requests, RAL colors, or any other questions.



Mill Aluminum (MA)  
[Standard Finish]



Satin White (SW)  
[Upgrade Finish]



Satin Black (SB)  
[Upgrade Finish]



Satin Clear (SC)  
[Upgrade Finish]



Custom Finish (CF)  
[Upgrade Finish]



## Linear Recessed Series - Edge 1

PROJECT \_\_\_\_\_

TYPE \_\_\_\_\_

FROSTED EDGES (FRE)

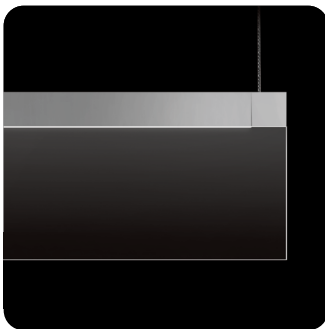


CLEAR LUMINOUS EDGES (FRF)

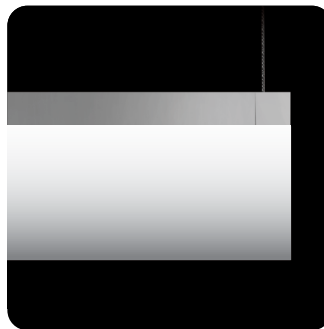


### FACE OPTIONS \_\_\_\_\_

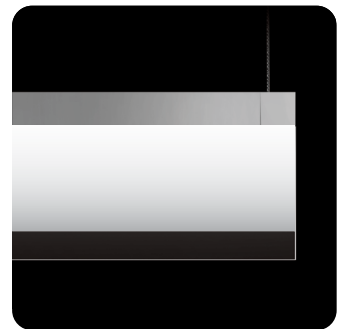
CLEAR



FULLY FROSTED



CUSTOM



### COLOR AND FINISH \_\_\_\_\_

Standard finish configurations are Satin White (SW), Matte Black (MB) or Satin Clear (SC) housing and end caps. Numerous custom anodizing and powder coated finishes are available as well. If you have a particular color/finish treatment in mind, please contact the factory and we will do our best to accommodate your project needs.

STANDARD



SATIN CLEAR  
ANODIZING



SATIN BLACK  
ANODIZING

CUSTOM



SATIN WHITE  
(POWDER COAT)



GLOSS WHITE



GLOSS BLACK



COLOR POWDER COAT



BRONZE



COLOR ANODIZE



MILL ALUMINUM



RAL COLORS

## Linear Recessed Series - Edge 1

### CANOPY OPTIONS

#### STANDARD (44 CANOPY OPTION)

44 canopies have two standard options to suit various environment aesthetics. The standard cable suspension system has two 4 - 1/4" canopies with the options of Satin White (SW) or Matte Black (MB) Finishes. These canopies can also have a Machine Finish for a more striking look. This option does carry a higher cost than standard canopies, but also has an impressive appearance.

SATIN WHITE (SW)



MATTE BLACK (MB)



MACHINE FINISH (MF)



#### CUSTOM

Custom canopies options are available and can look as spectacular in certain applications. Contact the factory with all custom requests or with any questions.

CUSTOM  
POWDER COATING



CUSTOM  
ANODIZING



CUSTOM  
SHAPES

