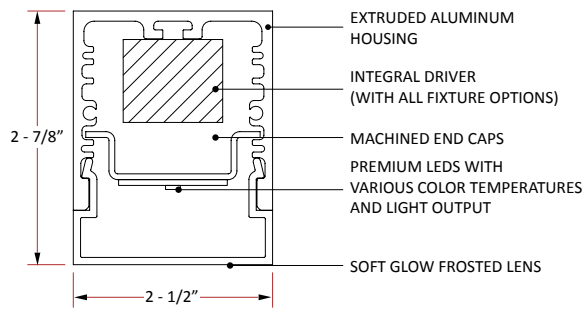


## Linear Series - Wrap 2



### CABLE SUSPENDED (CS)

#### FEATURES:

- 3/64" aircraft cable suspension system
- High transmission frosted lenses with no diode imaging
- No visible fasteners
- Extruded aluminum housing
- Dimmable/Programmable drivers for controllable light output
- High efficacy LEDs with 5 year warranty
- Under 2 steps MacAdams Ellipse Binning
- 3/8" thick machined end caps



### PRODUCT SPECIFICATION

**NOTE:** All options *italicized* may increase lead times and/or incur higher costs - please consult factory with questions.

FIXTURE TYPE	MOUNTING/ ORIENTATION	NOMINAL LENGTH*	COLOR TEMP	LED DRIVE POWER	VOLTAGE	DRIVER
LS-WRP-2	CSD Cable Suspended - DIRECT	1' 1'-3/8"	27K 2700K	VLO Very Low Output 465 lumens/ft (4w/ft.)	UNV Universal (120-277v) 1V 120v 2V 227v 3V 347v*	ND Non-Dimming 0-10v DIMMING 10D 10% DIM 1D 1% DIM LUTRON L7EA Lutron Hi-Lume 1% (2-Wire) LDE1 Lutron EcoSystem 1% "Soft on" (Digital) LDES Lutron EcoSystem 5% 5-Series (Digital) DALI DALI Digital Addressable Lighting Interface
		2' 2'-1-3/8"	30K 3000K	LO Low Output 705 lumens/ft. (6w/ft.)		
		3' 3'-1-3/8"	35K 3500K	SO Standard Output 925 lumens/ft. (8w/ft.)		
	CSI Cable Suspended - INDIRECT	4' 4'-1-3/8"	40K 4000K	HO High Output 1,160 lumens/ft. (10w/ft.)		
		5' 5'-1-3/8"	50K 5000K	VHO Very High Output 1,350 lumens/ft. (12w/ft.)		
		6' 6'-1-3/8"		CPO Custom Power Output Consult factory		
	CSR Cable Suspended - ROTATIONAL	7' 7'-1-3/8"				
		8' 8'-1-3/8"				
		12' 12'-1-3/8"				
			CR_ Continuous Run (Specify length in nominal feet)			

\*Dimensions are for reference only. Contact factory for more specific information or shop drawings.  
\*\*Odd lengths may incur slightly higher per foot pricing.

\*Not all dimming options are available with 347v.

HOUSING FINISH	HARDWARE* DETAIL FINISH	CANOPY SIZE OPTIONS*	CANOPY FINISH	POWER CORD COLOR	AIRCRAFT CABLE LENGTH*	OPTIONS/ CUSTOMIZATION*
SC Satin Clear Anodize (Standard) SW Satin White (Powder Coat) MB Matte Black (Powder Coat) CF Custom Finish* (Consult Factory)	MF Machined Finish (Standard) CF Custom Finish (Consult Factory)	5 SERIES CANOPY 55 5" Power feed canopy 5" Non-power feed canopy 52 5" Power feed canopy 2" Non-power feed canopy 50 5" Power feed canopy Canopy only at power feed	SW Satin White (Standard) CPC Custom Powder Coat Canopy Finish*	W White G Gray B Black CC Custom Cord*	2 2' 4 4' 6 6' 8 8' CL Custom Length** (Specify in feet 1E: CL10 for 10')	XX No EMB or Customization EMB7 7 Watt battery back-up** (Approximately 600 lumens) EMB12 12 Watt battery back-up** (Approximately 1,000 lumens) 90 90+ CRI LED BOARDS (2700K - 4000K only) CCP Corners/patterns* CD Custom Driver* CR Customization Requested*
	NOTE: MF option is strongly recommended. Other options will result in higher costs and potentially longer lead times. **Hardware* refers to the end caps and knuckles (knuckles only for the "Rotational" option).	4 SERIES CANOPY 44 4" Power feed canopy 4" Non-power feed canopy 41 4" Power feed canopy 1" Non-power feed canopy 40 4" Power feed canopy Canopy only at power feed	MF Machine Finish (Standard) SW Satin White CF Custom Finish*			NOTE: Customization may incur higher costs and/or increased lead times. *Consult the factory for all custom options or custom concept requests. **The EMB12 is slightly more expensive than the EMB7 option (BOTH OPTIONS ARE INTEGRAL ONLY).

\*RAL and color match are available.

\*Just about any finish is possible. For the 4" machined canopies, MF is strongly recommended. Contact the factory with questions or requests.

\*Consult the factory.

\*Cables are field adjustable.  
\*\* Consult factory to confirm specific length.

### SPECIFICATION INFORMATION

#### GENERAL NOTES:

All fixtures are **UL listed** for **dry** and **damp** locations.

**INTEGRAL DRIVER** for all options.

Please contact the factory with any specification questions.

*Italicized grayed* out options may incur additional costs and/or extended lead times. Please consult the factory.

#### FIXTURE ORIENTATION:

Bidirectional (CS) for downlight and uplight applications.

Direct (CSD) for downlight applications.

Rotational (CSR) for adjustable applications: 360 degree rotational capacity with locking mechanism.

#### DRIVER: [INTEGRAL]

- 1) NON-DIMMING: As described... this fixture will not dim.
- 2) DIMMING: 0-10v: 1%, 10% :: Lutron: 2-wire Forward phase (Hi-Lume 1%), Ecosystem to 1% (Soft On), Ecosystem to 5% (5 Series). "DALI" - Specify driver. See "Dimming Options" on subsequent pages for more information. For other dimming options, consult the factory.
- 3) EMERGENCY: Specify EMB under the Options/Customization category at the end of the cut sheet along with the desired lumen output (600 or 1,000 lumens - the latter is slightly more costly).
- 4) Drivers are programmed according to our standard lumen packages or to custom watt/lumen package requirements.
- 5) Consult factory with any questions or specification requirements.

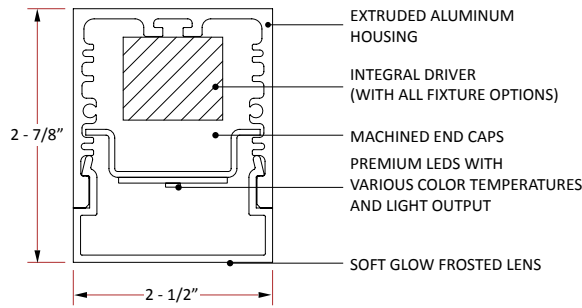
#### FINISHES:

The standard finish is a Satin Clear anodized housing with Machine Finished hardware. Machined finish is preferable for machined components (Hardware Detail) - Powder coating these parts may result in additional costs. Consult the factory with any questions about standard or custom finishing options.

#### CUSTOMIZATION:

We have numerous custom options available. However, if there is something unique required for a project, from simple options to complete custom requests, we are more than willing to entertain any creative notions you might have. Just ask.

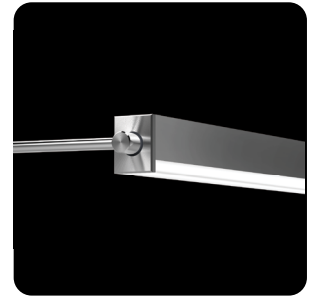
## Linear Series - Wrap 2



### ROTATIONAL ARM MOUNT (RAM)

#### FEATURES:

- 5/8" diameter rigid tube mounting system
- High transmission frosted lenses with no diode imaging
- No visible fasteners
- Extruded aluminum housing
- Dimmable/Programmable drivers for controllable light output
- High efficacy LEDs with 5 year warranty
- Under 2 steps MacAdams Ellipse Binning
- 3/8" thick machined end caps
- 360° rotation option- with mechanical locking



### PRODUCT SPECIFICATION

**NOTE:** All options *italicized* may increase lead times and/or incur higher costs - please consult factory with questions.

FIXTURE TYPE	MOUNTING	NOMINAL LENGTH*	COLOR TEMP	LED DRIVE POWER	VOLTAGE	DRIVER	HOUSING FINISH	
LS-WRP-2	RAM Rotational Arm Mount	1' 1'-3/8"	27K 2700K	VLO Very Low Output 465 lumens/ft (4w/ft.)	UNV Universal (120-277v)	ND Non-Dimming 0-10v DIMMING	SC Satin Clear Anodize (Standard)	
		2' 2'-1-3/8"	30K 3000K	LO Low Output 705 lumens/ft. (6w/ft.)		1V 120v		10D 10% DIM
		3' 3'-1-3/8"	35K 3500K	SO Standard Output 925 lumens/ft. (8w/ft.)		2V 227v		1D 1% DIM LUTRON
		4' 4'-1-3/8"	40K 4000K	HO High Output 1,160 lumens/ft. (10w/ft.)	3V 347v*	LTEA Lutron Hi-Lume 1% (2-Wire)	SW Satin White (Powder Coat)	
		5' 5'-1-3/8"	50K 5000K	VHO Very High Output 1,350 lumens/ft. (12w/ft.)		LDE1 Lutron EcoSystem 1% "Soft on" (Digital)	MB Matte Black (Powder Coat)	
		6' 6'-1-3/8"		CPO Custom Power Output Consult factory		LDES Lutron EcoSystem 5% 5-Series (Digital)	CF Custom Finish* (Consult Factory)	
		7' 7'-1-3/8"				DALI		
		8' 8'-1-3/8"				DALI		
		12' 12'-1-3/8"				DALI		
		CR Continuous Run (Specify length in nominal feet)						

\*Dimensions are for reference only. Contact factory for more specific information or shop drawings.  
\*\*Odd lengths may incur slightly higher per foot pricing.

\*Not all dimming options are available with 347v.

\*RAL and color match are available.

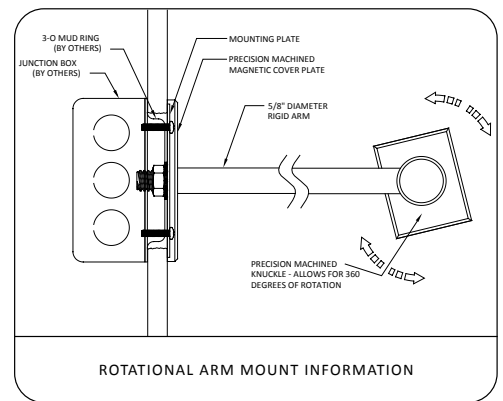
HARDWARE* DETAIL FINISH	ARM LENGTH*	MOUNTING/ COVER PLATE	OPTIONS/ CUSTOMIZATION*
MF Machined Finish (Standard) CF Custom Finish (Consult Factory)	3 3" 6 6" 9 9" 12 12" CAL Custom Length** (Specify in inches IE: CL10 for 10")	4CPF Flat 4" diameter Cover Plate - For use with a 3-O mud ring CCP Custom Cover Plate*	XX No EMB or Customization EMB7 7 Watt battery back-up** (Approximately 600 lumens) EMB12 12 Watt battery back-up** (Approximately 1,000 lumens) 90 90+ CRI LED BOARDS (2700K - 4000K only) CCP Corners/patterns* CD Custom Driver* CR Customization Requested*

NOTE: MF option is strongly recommended. Other options will result in higher costs and potentially longer lead times.  
\*\*Hardware\* refers to the end caps and knuckles (knuckles only for the "Rotational" option).

\*Arm length is measured from the mounting surface to the center of the fixture.  
\*\*Limitations apply. Consult the factory.

\*Consult the factory.

NOTE: Customization may incur higher costs and/or increased lead times.  
\*Consult the factory for all custom options or custom concept requests.  
\*\*The EMB12 is more expensive than the EMB7 option (BOTH OPTIONS ARE INTEGRAL ONLY).



### SPECIFICATION INFORMATION

#### GENERAL NOTES:

All fixtures are **UL listed** for **dry** and **damp** locations.

**INTEGRAL DRIVER** for all options.

Please contact the factory with any specification questions.

*Italicized grayed* out options may incur additional costs and/or extended lead times. Please consult the factory.

#### DRIVER: [INTEGRAL]

- 1) NON-DIMMING: As described... this fixture will not dim.
- 2) DIMMING: 0-10v: 1%, 10% :: Lutron: 2-wire Forward phase (Hi-Lume 1%), Ecosystem to 1% (Soft On), Ecosystem to 5% (5 Series). "DALI" - Specify driver. See "Dimming Options" on subsequent pages for more information. For other dimming options, consult the factory.
- 3) EMERGENCY: Specify EMB under the Options/Customization category at the end of the cut sheet along with the desired lumen output (600 or 1,000 lumens - the latter is slightly more costly).
- 4) Drivers are programmed according to our standard lumen packages or to custom watt/lumen package requirements.
- 5) Consult factory with any questions or specification requirements.

#### FINISHES:

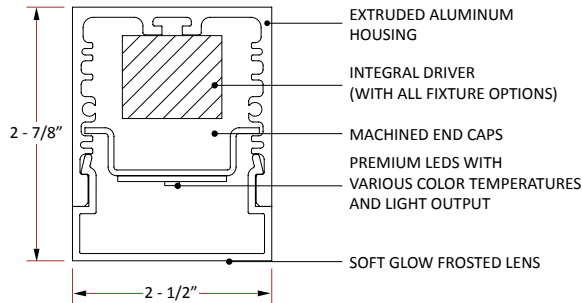
The standard finish is a Satin Clear anodized housing with Machine Finished hardware. Machined finish is preferable for machined components (Hardware Detail) - Powder coating these parts may result in additional costs. Consult the factory with any questions about standard or custom finishing options.

#### CUSTOMIZATION:

We have numerous custom options available. However, if there is something unique required for a project, from simple options to complete custom requests, we are more than willing to entertain any creative notions you might have. Just ask.

## Linear Series - Wrap 2

### SURFACE MOUNT (SM)



#### FEATURES:

- Ceiling or wall mounting system
- High transmission frosted lenses with no diode imaging
- No visible fasteners
- Extruded aluminum housing
- Dimmable/Programmable drivers for controllable light output
- High efficacy LEDs with 5 year warranty
- Under 2 steps MacAdams Ellipse Binning
- 3/8" thick machined end caps



### PRODUCT SPECIFICATION

**NOTE:** All options *italicized* may increase lead times and/or incur higher costs - please consult factory with questions.

FIXTURE TYPE	MOUNTING	NOMINAL LENGTH*	COLOR TEMP	LED DRIVE POWER	VOLTAGE	DRIVER	HOUSING FINISH
LS-WRP-2	SMS Surface Mount - SIDE	1' 1' 1-3/8"	27K 2700K	VLO Very Low Output 465 lumens/ft. (4w/ft.)	UNV Universal (120-277v)	ND Non-Dimming 0-10v DIMMING	SC Satin Clear Anodize (Standard)
		2' 2' 1-3/8"	30K 3000K	LO Low Output 705 lumens/ft. (6w/ft.)		10D 10% DIM	
		3' 3' 1-3/8"	35K 3500K	SO Standard Output 925 lumens/ft. (8w/ft.)		1D 1% DIM LUTRON	
	SMT Surface Mount - TOP	4' 4' 1-3/8"	40K 4000K	HO High Output 1,160 lumens/ft. (10w/ft.)	1V 120v 2V 227v 3V 347v*	LTEA Lutron Hi-Lume 1% (2-Wire)	SW Satin White (Powder Coat)
		5' 5' 1-3/8"	50K 5000K	VHO Very High Output 1,350 lumens/ft. (12w/ft.)		LDE1 Lutron EcoSystem 1% "Soft on" (Digital)	
		6' 6' 1-3/8"		CPO Custom Power Output Consult factory		LDES Lutron EcoSystem 5% 5-Series (Digital) DALI	
			7' 7' 1-3/8"				CF Custom Finish* (Consult Factory)
			8' 8' 1-3/8"				
			12' 12' 1-3/8"				
			CR_ Continuous Run (Specify length in nominal feet)				

\*Dimensions are for reference only. Contact factory for more specific information or shop drawings.  
\*\*Odd lengths may incur slightly higher per foot pricing.

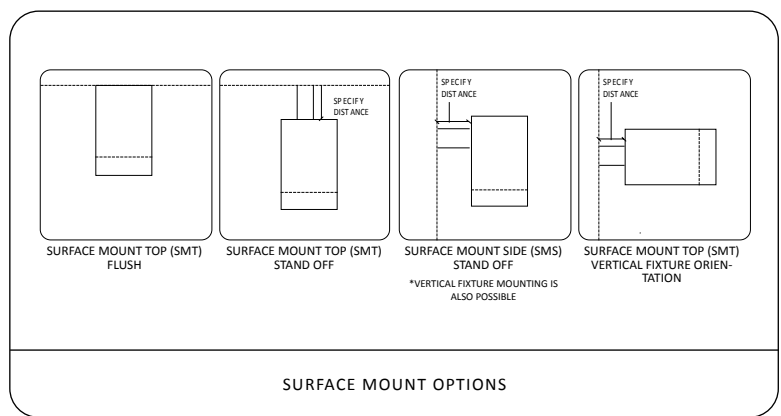
\*Not all dimming options are available with 347v.

\*RAL and color match are available.

HARDWARE* DETAIL FINISH	STAND OFF DISTANCE	OPTIONS/ CUSTOMIZATION*
MF Machined Finish (Standard)	0 Flush	XX No EMB or Customization
CF Custom Finish (Consult Factory)	.5 Half Inch	EMB7 7 Watt battery back-up** (Approximately 600 lumens)
	1 1"	EMB12 12 Watt battery back-up** (Approximately 1,000 lumens)
	3 3"	90 90+ CRI LED BOARDS (2700K - 4000K only)
	6 6"	CCP Corners/patterns*
	CU_ Custom (Specify in ft IE: CU4.5 for 4.5')	CD Custom Driver*
		CR Customization Requested*

NOTE: The MF option is strongly recommended. Other options will result in higher costs and potentially longer lead times.  
\*\*Hardware refers to the end caps and knuckles (knuckles only for the "Rotational" option).

NOTE: Customization may incur higher costs and/or increased lead times.  
\*Consult the factory for all custom options or custom concept requests.  
\*\*The EMB12 is slightly more expensive than the EMB7 option (BOTH OPTIONS ARE INTEGRAL ONLY).



### SPECIFICATION INFORMATION

#### GENERAL NOTES:

All fixtures are **UL listed** for **dry** and **damp** locations.

**INTEGRAL DRIVER** for all options.

Please contact the factory with any specification questions.

*Italicized grayed out* options may incur additional costs and/or extended lead times. Please consult the factory.

#### DRIVER: [INTEGRAL]

- 1) NON-DIMMING: As described... this fixture will not dim.
- 2) DIMMING: 0-10v: 1%, 10% :: Lutron: 2-wire Forward phase (Hi-Lume 1%), Ecosystem to 1% (Soft On), Ecosystem to 5% (5 Series). "DALI" - Specify driver. See "Dimming Options" on subsequent pages for more information. For other dimming options, consult the factory.
- 3) EMERGENCY: Specify EMB under the Options/Customization category at the end of the cut sheet along with the desired lumen output (600 or 1,000 lumens - the latter is slightly more costly).
- 4) Drivers are programmed according to our standard lumen packages or to custom watt/lumen package requirements.
- 5) Consult factory with any questions or specification requirements.

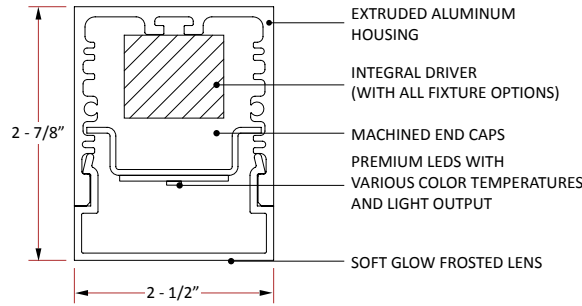
#### FINISHES:

The standard finish is a Satin Clear anodized housing with Machine Finished hardware. Machined finish is preferable for machined components (Hardware Detail) - Powder coating these parts may result in additional costs. Consult the factory with any questions about standard or custom finishing options.

#### CUSTOMIZATION:

We have numerous custom options available. However, if there is something unique required for a project, from simple options to complete custom requests, we are more than willing to entertain any creative notions you might have. Just ask.

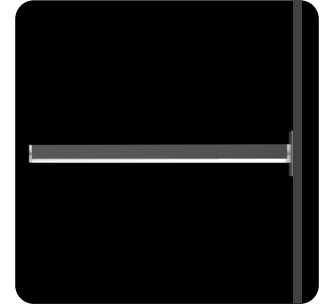
## Linear Series - Wrap 2



### END SURFACE MOUNT - SHORT (ESM)

#### FEATURES:

- Wall Mount
- High transmission frosted lenses with no diode imaging
- No visible fasteners
- Extruded aluminum housing
- Dimmable/Programmable drivers for controllable light output
- High efficacy LEDs with 5 year warranty
- Under 2 steps MacAdams Ellipse Binning
- 3/8" thick machined end caps



### PRODUCT SPECIFICATION

**NOTE:** All options *italicized* may increase lead times and/or incur higher costs - please consult factory with questions.

FIXTURE TYPE	MOUNTING	NOMINAL LENGTH*	COLOR TEMP	LED DRIVE POWER	VOLTAGE	DRIVER	HOUSING FINISH
LS-WRP-2	ESMD End Surface Mount - DIRECT	1' 1'-1-3/8"	27K 2700K	VLO Very Low Output 465 lumens/ft. (4w/ft.)	UNV Universal (120-277v)	ND Non-Dimming 0-10v DIMMING	SC Satin Clear Anodize (Standard)
	ESMI End Surface Mount - INDIRECT	2' 2'-1-3/8"	30K 3000K	LO Low Output 705 lumens/ft. (6w/ft.)			
		3' 3'-1-3/8"	35K 3500K	SO Standard Output 925 lumens/ft. (8w/ft.)	2V 227v	1D 1% DIM LUTRON	MB Matte Black (Powder Coat)
		4' 4'-1-3/8"	40K 4000K	HO High Output 1,160 lumens/ft. (10w/ft.)	3V 347v*	LTEA Lutron Hi-Lume 1% (2-Wire)	CF Custom Finish* (Consult Factory)
		5' 5'-1-3/8"	50K 5000K	VHO Very High Output 1,350 lumens/ft. (12w/ft.)		LDE1 Lutron EcoSystem 1% "Soft on" (Digital)	
		6' 6'-1-3/8"		CPO Custom Power Output Consult factory		LDE5 Lutron EcoSystem 5% 5-Series (Digital)	
		7' 7'-1-3/8"				DALI	
		8' 8'-1-3/8"				DALI Digital Addressable Lighting Interface	
		12' 12'-1-3/8"					
		CR' Continuous Run (Specify length in nominal feet)					
		<small>*Dimensions are for reference only. Contact factory for more specific information or shop drawings. **Odd lengths may incur slightly higher per foot pricing.</small>			<small>*Not all dimming options are available with 347v.</small>		<small>*RAL and color match are available.</small>

HARDWARE* DETAIL FINISH	MOUNTING/ COVER PLATE	OPTIONS/ CUSTOMIZATION*
MF Machined Finish (Standard) CF Custom Finish (Consult Factory)	4CPF Flat 4" diameter Cover Plate - For use with 3-O mud ring CCP Custom Cover Plate*	XX No EMB or Customization EMB7 7 Watt battery back-up** (Approximately 600 lumens) EMB12 12 Watt battery back-up** (Approximately 1,000 lumens) 90 90+ CRI LED BOARDS (2700K - 4000K only) CCP Corners/patterns* CD Custom Driver* CR Customization Requested*
<small>NOTE: MF option is strongly recommended. Other options will result in higher costs and potentially longer lead times. **"Hardware" refers to the end caps and knuckles (knuckles only for the "Rotational" option).</small>	<small>*Consult the factory.</small>	<small>NOTE: Customization may incur higher costs and/or increased lead times. *Consult the factory for all custom options or custom concept requests. **The EMB12 is slightly more expensive than the EMB7 option (BOTH OPTIONS ARE INTEGRAL ONLY).</small>

### SPECIFICATION INFORMATION

#### GENERAL NOTES:

All fixtures are **UL listed** for **dry** and **damp** locations.  
**INTEGRAL DRIVER** for all options.  
 Please contact the factory with any specification questions.  
*Italicized grayed* out options may incur additional costs and/or extended lead times. Please consult the factory.

#### FIXTURE ORIENTATION:

Direct (ESMD) for downlight applications.  
 Indirect (ESMI) for uplight applications.

#### DRIVER: [INTEGRAL]

- 1) NON-DIMMING: As described... this fixture will not dim.
- 2) DIMMING: 0-10v: 1%, 10% :: Lutron: 2-wire Forward phase (Hi-Lume 1%), Ecosystem to 1% (Soft On), Ecosystem to 5% (5 Series). "DALI" - Specify driver. See "Dimming Options" on subsequent pages for more information. For other dimming options, consult the factory.
- 3) EMERGENCY: Specify EMB under the Options/Customization category at the end of the cut sheet along with the desired lumen output (600 or 1,000 lumens - the latter is slightly more costly).
- 4) Drivers are programmed according to our standard lumen packages or to custom watt/lumen package requirements.
- 5) Consult factory with any questions or specification requirements.

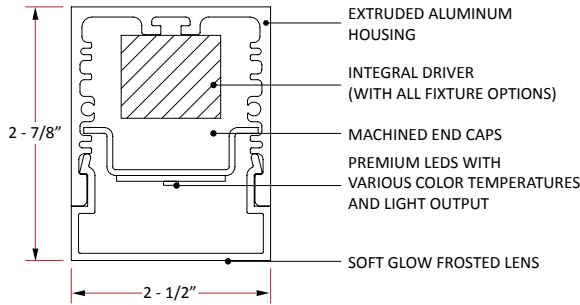
#### FINISHES:

The standard finish is a Satin Clear anodized housing with Machine Finished hardware. Machined finish is preferable for machined components (Hardware Detail) - Powder coating these parts may result in additional costs. Consult the factory with any questions about standard or custom finishing options.

#### CUSTOMIZATION:

We have numerous custom options available. However, if there is something unique required for a project, from simple options to complete custom requests, we are more than willing to entertain any creative notions you might have. Just ask.

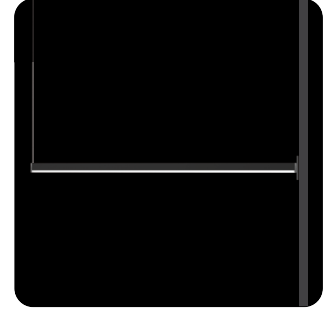
## Linear Series - Wrap 2



### END SURFACE MOUNT - LONG (ESM)

#### FEATURES:

- Wall mount with aircraft cable support
- High transmission frosted lenses with no diode imaging
- No visible fasteners
- Extruded aluminum housing
- Dimmable/Programmable drivers for controllable light output
- High efficacy LEDs with 5 year warranty
- Under 2 steps MacAdams Ellipse Binning
- 3/8" thick machined end caps



### PRODUCT SPECIFICATION

NOTE: All options *italicized* may increase lead times and/or incur higher costs - please consult factory with questions.

FIXTURE TYPE	MOUNTING	NOMINAL LENGTH*	COLOR TEMP	LED DRIVE POWER	VOLTAGE	DRIVER	HOUSING FINISH	
LS-WRP-2	ESMD End Surface Mount - DIRECT	1' 1-3/8"	27K 2700K	VLO Very Low Output 465 lumens/ft. (4w/ft.)	UNV Universal (120-277v)  1V 120v 2V 227v 3V 347v*	ND Non-Dimming 0-10V DIMMING 10D 10% DIM 1D 1% DIM LUTRON LTEA Lutron Hi-Lume 1% (2-Wire) LDE1 Lutron EcoSystem 1% "Soft on" (Digital) LDES Lutron EcoSystem 5% 5-Series (Digital) DALI DALI Digital Addressable Lighting Interface	SC Satin Clear Anodize (Standard) SW Satin White (Powder Coat) MB Matte Black (Powder Coat) CF Custom Finish* (Consult Factory)	
		2' 1-3/8"	30K 3000K	LO Low Output 705 lumens/ft. (6w/ft.)				
		3' 1-3/8"	35K 3500K	SO Standard Output 925 lumens/ft. (8w/ft.)				
		4' 1-3/8"	40K 4000K	HO High Output 1,160 lumens/ft. (10w/ft.)				
		5' 1-3/8"	50K 5000K	VHO Very High Output 1,350 lumens/ft. (12w/ft.)				
		6' 1-3/8"		CPO Custom Power Output Consult factory				
	ESMI End Surface Mount - INDIRECT	7' 1-3/8"						
		8' 1-3/8"						
		12' 1-3/8"						
		CR Continuous Run (Specify length in nominal feet)						
		*Dimensions are for reference only. Contact factory for more specific information or shop drawings.						
		**Odd lengths may incur slightly higher per foot pricing.						

HARDWARE* DETAIL FINISH	MOUNTING/ COVER PLATE	CANOPY SIZE OPTIONS*	CANOPY FINISH	POWER CORD COLOR	AIRCRAFT CABLE LENGTH*	OPTIONS/ CUSTOMIZATION*
MF Machined Finish (Standard) CF Custom Finish (Consult Factory)	4CPF Flat 4" diameter Cover Plate - For use with a 3-O mud ring CCP Custom Cover Plate* Satin Black Custom Finish (Consult Factory)	5 SERIES CANOPY		W White G Gray B Black CC Custom Cord*	2 2' 4 4' 6 6' 8 8' CL Custom Length** (Specify in feet) IE: CL10 for 10'	XX No EMB or Customization EMB7 7 Watt battery back-up** (Approximately 600 lumens) EMB12 12 Watt battery back-up** (Approximately 1,000 lumens) 90 90+ CRI LED BOARDS (2700K - 4000K only) CCP Corners/patterns* CD Custom Driver* CR Customization Requested*
		55 5" Power feed canopy	SW Satin White (Standard)			
		52 5" Non-power feed canopy	CPC Custom Powder Coat Canopy Finish*			
		50 2" Non-power feed canopy				
		50 5" Power feed canopy				
		50 Canopy only at power feed				
	4 SERIES CANOPY		MF Machine Finish (Standard) SW Satin White CF Custom Finish*			
	44 4" Power feed canopy					
	41 4" Non-power feed canopy					
	41 4" Power feed canopy					
	40 1" Non-power feed canopy					
	40 4" Power feed canopy					
*CONTINUOUS RUNS REQUIRE THE 55" OR THE 44" OPTION. CONSULT FACTORY WITH QUESTIONS.		*Just about any finish is possible. For the 4" machined canopies, MF is strongly recommended. Contact the factory with questions or requests.		*Cables are field adjustable.		NOTE: Customization may incur higher costs and/or increased lead times.
**Consult the factory.		**See options section and installation instructions for more information.		**Consult factory to confirm specific length.		**The EMB12 is slightly more expensive than the EMB7 option (BOTH OPTIONS ARE INTEGRAL ONLY).

### SPECIFICATION INFORMATION

**GENERAL NOTES:**  
All fixtures are UL listed for **dry** and **damp** locations.  
**INTEGRAL DRIVER** for all options.  
Please contact the factory with any specification questions.  
*Italicized grayed out* options may incur additional costs and/or extended lead times. Please consult the factory.

**FIXTURE ORIENTATION:**  
Direct (ESMD) for downlight applications.  
Indirect (ESMI) for uplight applications.

**DRIVER: [INTEGRAL]**  
1) NON-DIMMING: As described... this fixture will not dim.  
2) DIMMING: 0-10v: 1%, 10% :: Lutron: 2-wire Forward phase (Hi-Lume 1%, Ecosystem to 1% (Soft On), Ecosystem to 5% (5 Series). "DALI"- Specify driver. See "Dimming Options" on subsequent pages for more information. For other dimming options, consult the factory.  
3) EMERGENCY: Specify EMB under the Options/Customization category at the end of the cut sheet along with the desired lumen output (600 or 1,000 lumens - the latter is slightly more costly).  
4) Drivers are programmed according to our standard lumen packages or to custom watt/lumen package requirements.  
5) Consult factory with any questions or specification requirements.

**FINISHES:**  
The standard finish is a Satin Clear anodized housing with Machine Finished hardware. Machined finish is preferable for machined components (Hardware Detail) - Powder coating these parts may result in additional costs. Consult the factory with any questions about standard or custom finishing options.

**CUSTOMIZATION:**  
We have numerous custom options available. However, if there is something unique required for a project, from simple options to complete custom requests, we are more than willing to entertain any creative notions you might have. Just ask.

## Linear Series - Wrap 2

### PRODUCT SPECIFICATION

- Fixture delivered light potential: 118 Lumens/Watt\*
- Uniform light distribution
- 90+ CRI LED diode options
- Exceptional binning- less than 2 step MacAdams Elipse
- Minimum 70% initial lumen output at 70,000 hours
- Standard 0-10v dimming to %10
- Lutron, Eldoled, Dali, and other dimming options
- 5 year system warranty

\*Actual fixture efficacy will be dependent on specification. Higher lumens per watt are achieved with lower drive powers. Please contact the factory with questions or for more information.

### LUMEN OUTPUT \*

DRIVER OUTPUT	LUMEN OUTPUT (PER FOOT)	
	WATTAGE	LUMENS
VERY LOW (VLO)	4	465
LOW (LO)	6	705
STANDARD (SO)	8	925
HIGH (HO)	10	1,160
VERY HIGH (VHO)	12	1,350

DRIVER OUTPUT	PER 4' FIXTURE (TOTAL DELIVERED LUMENS)	
	WATTAGE	LUMENS
VERY LOW (VLO)	16	1,860
LOW (LO)	24	2,820
STANDARD (SO)	32	3,700
HIGH (HO)	40	4,640
VERY HIGH (VHO)	48	5,400

**VERY LOW:** Considerably underdrives the LEDs to maximize fixture efficacy potential and limit wattage use.

**LOW:** Underdrives the LEDs for reasonable light output while maintaining low wattage use.

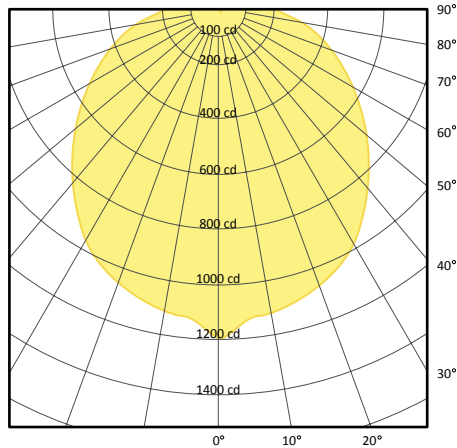
**STANDARD:** Drives the LEDs for the best combination of lumen output and fixture efficacy.

**HIGH:** Drive the LEDs at higher capacity for higher lumen output with good efficacy.

**VERY HIGH:** Drives the LEDs at the highest capacity for the highest lumen output with the best efficacy.

\*Lumen output will vary depending on ambient temperature. Cooler ambient and LED color temperatures result in higher luminaire performance. Calculations are based on 4000K LEDs.

### LUMINOUS INTENSITY DISTRIBUTION

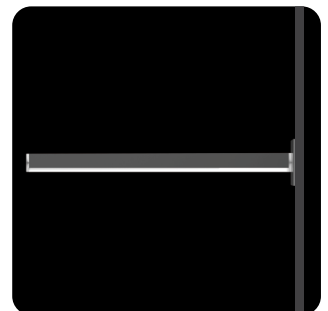
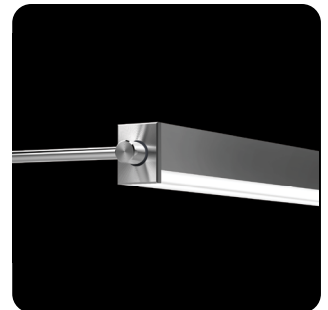


### FIXTURE PROPERTIES (AS TESTED)

- 4' nominal length fixture
- Standard Output (SO)
- Total system energy consumption: 32 Watt
- 118 Lumens/Watt
- 4000K 80 CRI LED

### ZONAL LUMEN SUMMARY

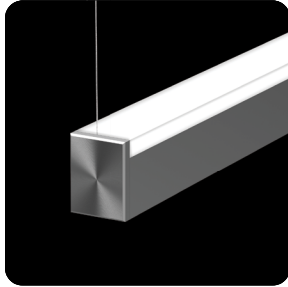
ZONE	LUMEN	%LAMP	%FIXTURE
0 - 30	880	20.4%	23.8%
0 - 40	1,435	33.2%	38.8%
0 - 60	2,529	58.6%	68.3%
0 - 90	3,410	79%	92.1%
90 - 120	205	4.7%	5.5%
90 - 150	284	6.6%	7.7%
90 - 180	292	6.8%	7.9%
0 - 180	3,702	85.7%	100%





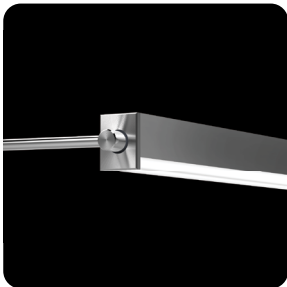
## Linear Series - Wrap 2

### MOUNTING \_\_\_\_\_



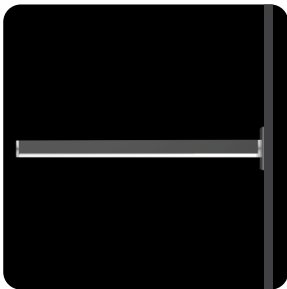
#### **CABLE SUSPENDED (CS)**

Power Suspension System. Helium 2 (He2) can be static down-light: Direct (CSD), static up-light: Indirect (CSI), or Rotational (CSR). The Cable Suspended - Rotational system has 360 degree rotational capacity with mechanical fasteners to lock fixtures in place if desired. This system offers incredible flexibility, light direction control, and a dynamic aesthetic. Standard and custom power cord finishes, sleeve options, and canopy colors offer options to match almost any space. Stainless steel cables come in various lengths (4' is standard) and are field adjustable.



#### **ROTATIONAL ARM MOUNT (RAM)**

This system uses 5/8" diameter aluminum arms and subtle details in combination with a 360 degree rotational capacity to create some of the most versatile linear fixtures in the architectural market. Standard mounting uses 3-O mud rings (supplied by others) or a 1" optional trim ring for furniture mounted applications. Engineered with no visible fasteners, smooth rotation, and mechanical locking, the RAM system reveals an impressive aesthetic with exceptional versatility.



#### **END SURFACE MOUNT (ESM)**

Wall Mount. Fixtures are mounted from their ends onto the wall using standard 3-O rings. He2 can be static down-light: Direct (ESMD) or static up-light: Indirect (ESMI). An aircraft cable suspension system will be issued if the fixtures are longer than 2 feet, if needed.



#### **SURFACE MOUNT (SM)**

Side Mount Side (SMS) or Side Mount Top (SMT). Side, the fixture is mounted on the wall. Top, the fixture is mounted on the ceiling. Both Side and Top give a static down-light. Top or Side Mount specification denotes the power feed location(s). Optional stand-offs allows for fixtures to be mounted from 1/2" to 12" as well as custom lengths if needed.

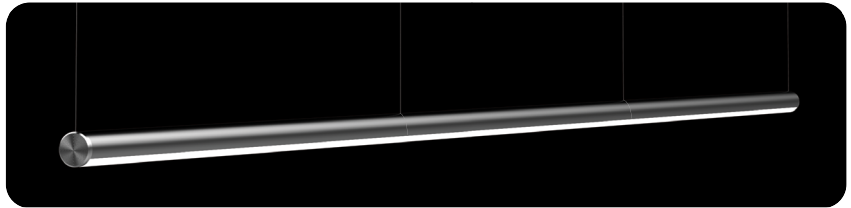
## Linear Series - Wrap 2

### CONTINUOUS RUN

Continuous runs are available with all fixtures and have several connection options. Single Seam continuous run options offer smooth section transitions while Component Seams lend to a more dramatic visual statement. The 360 Rotational option enables individual sections to rotate independently of each other, which offers adjustable asymmetric light distribution capacity along with striking appearances such as alternating up/down fixtures or spiral transitions. The flexibility within the rotational option makes for infinite design and functional possibilities.



CONTINUOUS RUN  
SINGLE SEAM



FIXTURE WITH A SINGLE SEAM CONTINUOUS RUN

### CANOPIES

#### STANDARD

Canopies have several standard options to suit various environment aesthetics. The standard cable suspension system has 5" Satin White canopies. However, other standard options include a 2" non-power feed canopy option as well as no canopy at all. Both of these include a 5" diameter power feed canopy.

55



5" diameter power feed and 5" diameter non-pow feed canopy. Most common canopy layout. Creates a consistent ceiling aesthetic.

52



5" diameter power feed and 2" diameter non-power feed canopy. Offers a more minimal ceiling treatment while maintaining the ability to cover up mistakes. Requires a 1/4-20 stud securely fastened to the ceiling.

50



5" diameter power feed canopy and no canopy on the non-power feed side. Minimal aesthetic. Requires a 1/4-20 stud securely attached to ceiling. Works well with continuous runs where the power can be carried inside the fixture.

#### MACHINED

Machined canopies are 4" in diameter and can be anodized as well as powder coated to match a desired color or they can be left with a mill finish for a more striking look. Similar non-power feed options are available with this aesthetic as well. These options do carry a higher cost than standard canopies, but also have an impressive appearance.

44



4" diameter machined power feed and 4" diameter machined non-power feed canopy. Offers a consistent ceiling aesthetic with smaller machined canopies. Mill, anodized, and powder coat finishes available.

41



4" diameter machined power feed and 1-1/4" diameter machined non-power feed canopy. Offers minimal ceiling treatment while maintaining the ability to cover mistakes. Requires a 1/4-20 stud securely fastened to the ceiling. Mill, anodized, and powder coat finishes available.

40



4" diameter machined power feed canopy and no canopy on the non-power feed side. Minimal aesthetic. Requires a 1/4-20 stud securely attached to the ceiling. Works well with continuous runs where the power can be carried inside the fixture. Mill, anodized, and powder coat finishes available.

#### CUSTOM

Custom canopy options are available and can look spectacular in certain applications. Contact the factory with all custom requests or with any questions.



CUSTOM POWDER COAT



CUSTOM ANODIZE



CUSTOM SHAPE



## Linear Series - Wrap 2

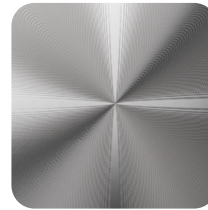
### COLOR AND FINISH

Standard finish configurations are Satin Clear (SC) housing with Machined Finish (MF) machined components (end caps, knuckles, cover plates, etc.). The incredibly clean detail within all of the machined components lends to an incredibly high end aesthetic with two tone finish. Numerous custom anodizing and powder coated finishes are available as well. If you have a particular color/finish treatment in mind, please contact the factory and we will do our best to accommodate your project needs.

#### STANDARD



SATIN CLEAR ANODIZING



MACHINED COMPONENTS

#### CUSTOM



MATTE BLACK



GLOSS BLACK



BRONZE



MILL ALUMINUM



SPECULAR



SATIN WHITE



GLOSS WHITE



COLOR POWDER COAT



COLOR ANODIZE

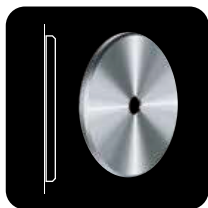


RAL COLORS

### COVER PLATES

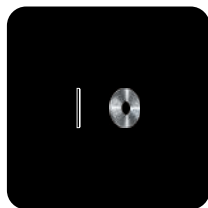
Cover plates are standard for Rotational Arm Mounting (RAM) Systems. Standard options are Flat (FT), Curved (CV), or Trim Ring (TR). With certain applications, cover plates or trim rings may not be necessary. Contact factory with questions or for more information. Custom cover plates are also available. If a certain aesthetic is desired, please contact the factory to review any concepts and we will do our best to bring your vision to life.

#### STANDARD



FLAT (CPFT)

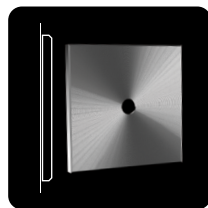
Flat has a 4" diameter cover plate for use with a 3-O mud ring.



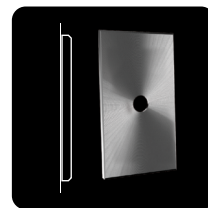
TRIM RING (TR)

1-1/4" diameter trim ring Can be used in applications such as desk mounting.

#### CUSTOM



SQUARE



TALL RECTANGLE



CUSTOM