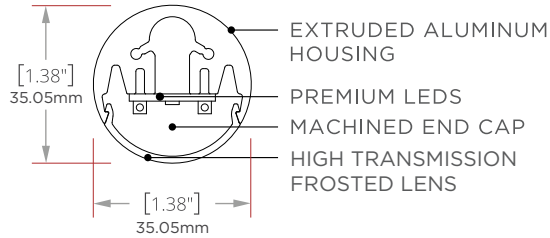


Linear Series - Round 1

CABLE SUSPENDED



PERFORMANCE

STATIC WHITE | FLOOD DIRECT

POWER LEVELS	LIGHT DIRECT LM/4FT	TOTAL LIGHT LM/4FT	ENERGY WATTS/4FT	EFFICACY LPW	CCT/CRI
VL	2174	2174	16	136	4000/80
L	3048	3048	24	127	4000/80
S	4035	4035	32	126	4000/80
H	4855	4855	40	121	4000/80
VH	5857	5857	48	122	4000/80



CCT MULTIPLIERS STATIC WHITE

CCT	2700K		3000K		3500K		4000K		5000K	
CRI	80	90	80	90	80	90	80	90	80	90
MULTIPLIER	0.93	0.79	0.96	0.82	0.97	0.85	1	0.89	1.01	0.89

FEATURES:

- 1-3/8 INCH DIAMETER ROUND PROFILE
- POWERED SUSPENSION SYSTEM - NO SEPARATE POWER CORD DROP
- HIGH TRANSMISSION FROSTED LENSES
- 1% DIMMING DRIVERS STANDARD
- EXTRUDED ALUMINUM HOUSING WITH NO VISIBLE FASTENERS
- MACHINED ALUMINUM END CAPS WITH EASY ACCESS REMOVAL
- 360 DEGREE ROTATION OPTION - WITH MECHANICAL LOCKING

NOTES: REQUIRES REMOTE DRIVERS

NOTE: ALL ITALICIZED OPTIONS MAY INCREASE LEAD TIME. PLEASE CONSULT FACTORY WITH QUESTIONS.

FIXTURE MODEL	MOUNTING	NOMINAL LENGTH (FT)	CCT/CRI	DIRECT POWER LEVEL ¹	DIRECT BEAM DISTRIBUTION	INDIRECT POWER LEVEL ¹	INDIRECT BEAM DISTRIBUTION ¹	DRIVER
LS-RND-1	CSD Cable Suspended Directional CSI Cable Suspended Indirect CSR Cable Suspended Rotational	2 3 4 5 6 CR^{1,2,3} Continuous Run (Specify Length _____ in Nominal Feet)	827 830 835 840 850 927 930 935 940 950 <i>TW2765</i> <i>WD1827</i>	VL Very low L Low S Standard H High VH Very High	F Flood	VL Very low L Low S Standard H High VH Very High	F Flood	1D 0-10V E _i -doLED 1% 01D 0-10V E _i -doLED 0.1% <i>LDE1</i> Lutron Ecosystem 1% <i>LDES</i> Lutron Ecosystem 5% 1DT (TW) ² 1DW (WD) ² DALI (INTL) 2. 0-10V input - CHOOSE DALI instead for INTL versions
		1. Power feed is always first section of a continuous run 2. CR avail only with rotational mounting 3. Rotational mounting w/CR will have a power feed for every section		1. Select only 'Direct' attributes for CSR & CSD mountings		1. Select only 'Indirect' attributes for CSI mounting		

HOUSING FINISH	END CAPS FINISH ¹	DRIVER HOUSING FINISH	CANOPY SIZE	CANOPY FINISH	POWER CORD	CABLE LENGTH	OPTIONS ⁶
SC Satin Clear Anodize SW Satin White Powder Coat MB Matte Black Powder Coat CF Custom Finish (Consult Factory)	MF Machined Finish SW Satin White MB Matte Black CF Custom Finish (Consult Factory)	SC Satin Clear SW Satin White MB Matte Black	44 4" Power feed canopy 4" Non-power feed canopy 44E 4" Power feed canopy 4" Non-power feed canopy - International 40 4" Power feed canopy Canopy only at power feed 40E 4" Power feed canopy Canopy only at power feed - International 41 4" Power feed canopy 1" Non-power feed canopy 41E 4" Power feed canopy 1" Non-power feed canopy - International	MF Machine Finish SW Satin White MB Matte Black CF Custom Finish (Consult Factory)	PSS	4 4' 8 8'	EMB7^{1,6} 7 Watt battery back-up (Approximately 600 lumens) EMB12^{1,6} 12 Watt battery back-up (Approximately 1000 lumens) EMW¹ Emergency Circuit Wiring 1. EMB/EMW only linked to first section of continuous run 6. Factory EMB and Sensor (WS) options not avail for INTL
	1. CSR rotational hardware finish matches end cap finish selection						

GENERAL NOTES:

All fixtures are UL listed for dry and damp locations. Fixtures with International (E) option designation are CE and ROHS compliant. REMOTE DRIVER for all options. Please contact the factory with any specification questions.

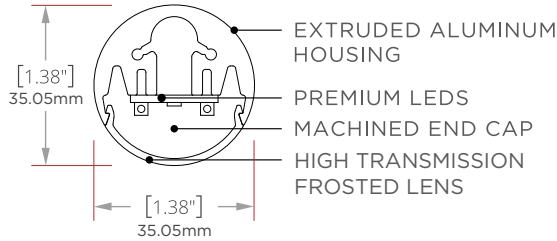


FIXTURE ORIENTATION

Direct (CSD) for downlight applications
 Indirect (CSI) for up light applications
 Rotational (CSR) for adjustable applications: 360 degree rotational capacity with locking mechanism.

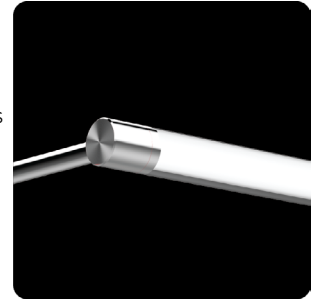
Linear Series - Round 1

ROTATIONAL ARM MOUNT



FEATURES:

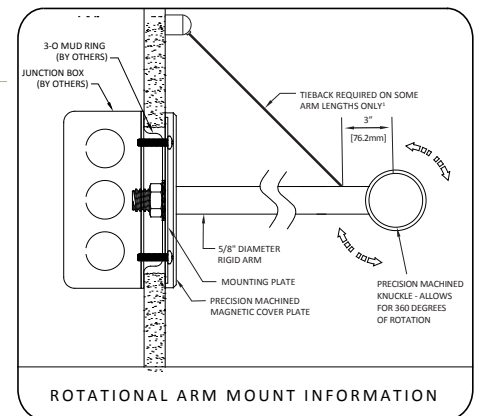
- 5/8" DIAMETER RIGID TUBE MOUNTING SYSTEM
- HIGH TRANSMISSION FROSTED LENSES
- 1% DIMMING DRIVERS STANDARD
- EXTRUDED ALUMINUM HOUSING WITH NO VISIBLE FASTENERS
- MACHINED ALUMINUM END CAPS WITH EASY ACCESS REMOVAL
- 360 DEGREE ROTATION OPTION WITH MECHANICAL LOCKING



NOTE: ALL ITALICIZED OPTIONS MAY INCREASE LEAD TIME. PLEASE CONSULT FACTORY WITH QUESTIONS.

FIXTURE MODEL	MOUNTING	NOMINAL LENGTH (FT)	CCT/CRI	DIRECT POWER LEVEL	DIRECT BEAM DISTRIBUTION	DRIVER	HOUSING FINISH	END CAPS & RAM HARDWARE FINISH
LS-RND-1	RAM Rotational Arm Mount RAME Rotational Arm Mount - International	2 3 4 5 6 CR ^{1,3} Continuous Run (Specify Length in Nominal Feet)	827 830 835 840 850 927 930 935 940 950 TW2765 WD1827	VL Very low L Low S Standard H High VH Very High	F Flood	1D 0-10V EldoLED 1% 01D 0-10V EldoLED 0.1% LDE1 Lutron Ecosystem 1% LDE5 Lutron Ecosystem 5% 1DT (TW) ² 1DW (WD) ² DALI (INTL)	SC Satin Clear Anodize SW Satin White Powder Coat MB Matte Black Powder Coat CF Custom Finish (Consult Factory)	MF Machine Finished SW Satin White Powder Coat MB Matte Black Powder Coat CF Custom Finish (Consult Factory)
		1. Power feed is always first section of a continuous run 3. Rotational mounting w/ CR will have a power feed for every section			2. 0-10V input - CHOOSE DALI instead for INTL versions			

DRIVER HOUSING FINISH	ARM LENGTH NOM (IN)	MOUNTING PLATE	OPTIONS ⁶
SC Satin Clear SW Satin White MB Matte Black	3 6 9' 12'	4CPF	EMB7 ^{1,6} 7 Watt battery back-up (Approximately 600 lumens) EMB12 ^{1,6} 12 Watt battery back-up (Approximately 1000 lumens) EMW ¹ Emergency Circuit Wiring
		1. Includes Mounting Tieback	1. EMB/EMW only linked to first section of continuous run 6. Factory EMB and Sensor (WS) ⁶ options not avail for INTL



GENERAL NOTES:

All fixtures are UL listed for dry and damp locations. Fixtures with International (E) option designation are CE and ROHS compliant. REMOTE DRIVER for all options. Please contact the factory with any specification questions.



PROJECT _____

TYPE _____

Linear Series - Round 1

DIRECT

STATIC WHITE | FLOOD DIRECT

POWER LEVELS	LIGHT DIRECT LM/4FT	TOTAL LIGHT LM/4FT	ENERGY WATTS/4FT	EFFICACY LPW	CCT/CRI
VL	2174	2174	16	136	4000/80
L	3048	3048	24	127	4000/80
S	4035	4035	32	126	4000/80
H	4855	4855	40	121	4000/80
VH	5857	5857	48	122	4000/80

CCT MULTIPLIERS, STATIC WH

CCT	80CRI	90CRI
2700K	0.93	0.79
3000K	0.96	0.82
3500K	0.97	0.85
4000K	1.00	0.89
5000K	1.01	0.89

DYNAMIC WHITE | FLOOD DIRECT

POWER LEVELS	LIGHT DIRECT LM/4FT	TOTAL LIGHT LM/4FT	ENERGY WATTS/4FT	EFFICACY LPW	CCT/CRI
VL	1526	1526	24	64	4000/90
L	2139	2139	32	67	4000/90
S	2832	2832	36	79	4000/90
H	3408	3408	44	77	4000/90
VH	4111	4111	48	86	4000/90

CCT MULTIPLIERS, DYNAMIC WH

CCT	90CRI
2700K	1.09
3000K	1.08
3500K	1.03
4000K	1.00
5000K	0.99
6500K	0.98

WARM DIM | FLOOD DIRECT

POWER LEVELS	LIGHT DIRECT LM/4FT	TOTAL LIGHT LM/4FT	ENERGY WATTS/4FT	EFFICACY LPW	CCT/CRI
VL	1602	1602	24	67	2700/90
L	2246	2246	32	70	2700/90
S	2974	2974	36	83	2700/90
H	3578	3578	44	81	2700/90
VH	4316	4316	48	90	2700/90

CCT MULTIPLIERS, WARM DIM

CCT	90CRI
1800K	0.02
2250K	0.17
2700K	1.00

RGBW | FLOOD DIRECT

POWER LEVELS	CHANNEL (S)	LIGHT DIRECT LM/4FT	TOTAL LIGHT LM/4FT	ENERGY WATTS/4FT	EFFICACY LPW	CCT
S	White	393	393	10	39	4000
S	All	908	908	20	45	N/A

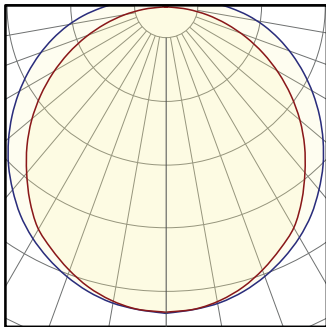
Linear Series - Round 1

DIRECT

DIRECT OPTICS: LUMEN OUTPUT (PER 4FT)

TYPE	CCT/CRI	ENERGY WATTS/4FT	FLOOD LM/4FT	FLOOD LPW
STATIC WHITE	4000K/80	S (32W)	4035	126
DYNAMIC WHITE	4000K/90	S (36W)	2832	79
WARM DIM	2700K/90	S (36W)	2974	83
RGBW	ALL CHANNELS UP	S (20W)	908	45

FLOOD*



MAX CANDELA: 1223
 DELIVERED LUMENS: 4035
 WATTS: 32
 LPW: 126

*Fixture Properties: 4ft Nominal Length, Standard Output, Static White 4000K/80CRI

CCT MULTIPLIERS STATIC WHITE

CCT	2700K		3000K		3500K		4000K		5000K	
CRI	80	90	80	90	80	90	80	90	80	90
MULTIPLIER	0.93	0.79	0.96	0.82	0.97	0.85	1	0.89	1.01	0.89

CCT MULTIPLIERS DYNAMIC WHITE

CCT	2700K	3000K	3500K	4000K	5000K	6000K
CRI	90	90	90	90	90	90
MULTIPLIER	1.09	1.08	1.03	1	0.99	0.98

CCT MULTIPLIERS WARM DIM

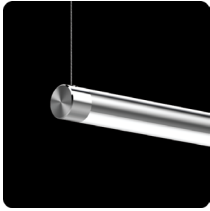
CCT	1800K	2250K	2700K
CRI	90	90	90
MULTIPLIER	0.02	0.17	1

POWER LEVEL MULTIPLIERS

POWER	VL	L	S	H	VH
STATIC WHITE	0.53	0.75	1	1.2	1.45
DYNAMIC WHITE	0.53	0.75	1	1.2	1.45
WARM DIM	0.53	0.75	1	1.2	1.45

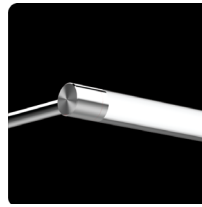
Linear Series - Round 1

MOUNTING



CABLE SUSPENDED DIRECT (CSD) CABLE SUSPENDED INDIRECT (CSI)

This fixture can be a static down-light: Direct (CSD) or static up-light: Indirect (CSI). Aircraft cables come in 4ft and 8ft lengths and are field adjustable.



ROTATIONAL ARM MOUNT (RAM)

This system uses 5/8" diameter aluminum arms and subtle details in combination with a 360 degree rotational capacity to create some of the most versatile linear fixtures in the architectural market. Standard mounting uses 3/0 mud rings (supplied by others). Engineered with no visible fasteners, smooth rotation, and mechanical locking, the RAM system reveals an impressive aesthetic with exceptional versatility.



CABLE SUSPENDED - ROTATIONAL (CSR)

Using a similar setup to the Cable Suspended system above, the Cable Suspended - Rotational system has 360 degree rotational capacity with mechanical fasteners to lock fixtures in place if desired. This system offers incredible flexibility, light direction control, and a dynamic aesthetic.

CONTINUOUS RUN (CR)

Our 360 degree rotational continuous run option enables individual sections to rotate independently of each other, which offers adjustable asymmetric light distribution capacity along with striking appearances such as alternating up/down fixtures or spiral transitions. The flexibility within the rotational option makes for infinite design and functional possibilities.



CONTINUOUS RUN ROTATIONAL



CONTINUOUS RUN ROTATIONAL
(SPIRAL EFFECT)



FIXTURE WITH CONTINUOUS RUN ROTATIONAL

CANOPIES

44



4" diameter power feed and 4" diameter non-power feed canopy.

41



4" diameter machined power feed and 1-1/4" diameter machined non-power feed canopy. Offers minimal ceiling treatment while maintaining the ability to cover mistakes. Requires a 1/4-20 stud securely fastened to the ceiling.

40



4" diameter machined power feed canopy and no canopy on the non-power feed side. Minimal aesthetic. Requires a 1/4-20 stud securely attached to the ceiling.

44E, 41E, 40E (**E) International Canopy



INTL POWERFEED CANOPY
FOR REMOTE DRIVER
FIXTURES (PSS CABLES)

This powerfeed canopy replaces the flat style canopy from the North American mounting style (44, 41, & 40) versions pictured)

PROJECT _____

TYPE _____

Linear Series - Round 1

COLOR AND FINISH

Standard luminaire housing finishes are Satin Clear anodized, Matte Black powder coat, and Satin White powder coat. Standard hardware (end caps, knuckles, cover plates, etc.) finishes are Machined Finish, Matte Black powder coat, & Satin White powder coat. Custom anodizing and powder coated finishes are available as well. If you have a particular color/finish treatment in mind, please contact the factory and we will do our best to accommodate your project needs.

LUMINAIRE



SATIN CLEAR
ANODIZING

STANDARD



RAL
9005

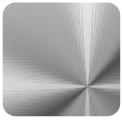
MATTE
BLACK



RAL
9003

SATIN
WHITE

HARDWARE



MACHINED
COMPONENTS



RAL
9005

MATTE
BLACK



RAL
9003

SATIN
WHITE

CUSTOM



BRONZE



COLOR ANODIZE



SPECULAR

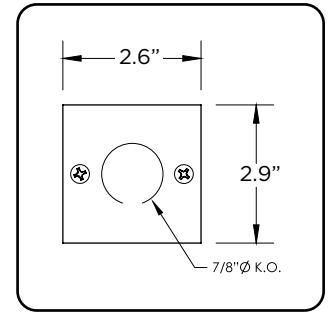
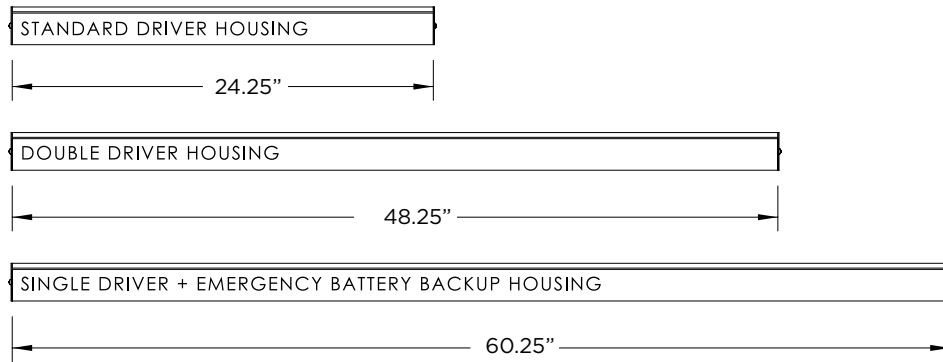


RAL COLORS

Linear Series - Round 1

REMOTE DRIVERS HOUSING SIZE

The driver housing length is typically dictated by the options selected. Standard driver housing lengths are as shown. Non standard driver requests may increase or decrease the driver housing length. Specifications are subject to change without notice. Consult factory with questions, requests, or size limitations and we will do our best to accommodate your needs.

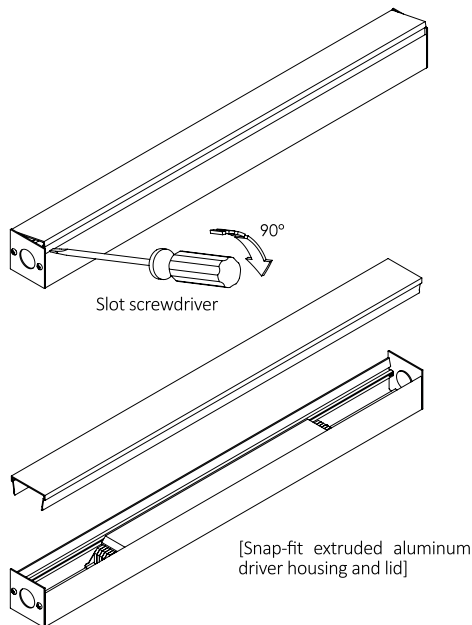


DRIVER HOUSING PROFILE

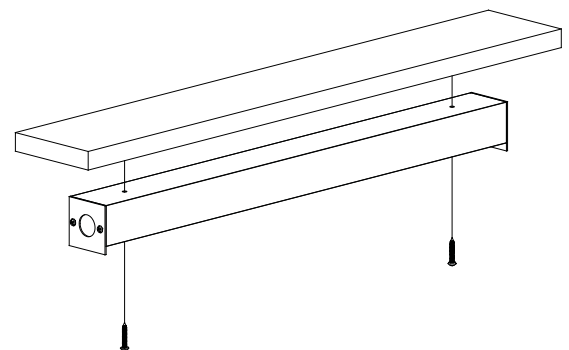
INSTRUCTIONS

See below for lid removal and installation instructions.

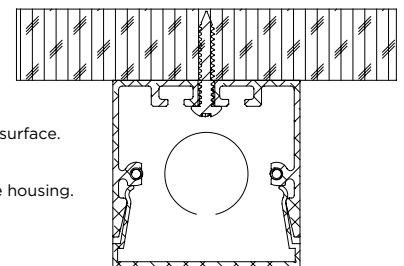
To remove the driver housing lid, use a broad slot screwdriver in the channel as shown here and twist the screwdriver ninety degrees. This may need to be done at both ends of the housing or multiple locations depending on the driver housing length.



- 1) Drill mounting holes in the driver housing as needed to secure to a suitable surface. (If needed, a power feed hole can be drilled into the bottom of the housing for certain mounting/power feed applications).



- 2) Secure the housing to the surface. (Fasteners by others)
- 3) Complete wire make-up. Snap extruded lid onto the housing.



Linear Series - Round 1

WELDED CORNERS

- Luminaire housing is custom mitered & welded for a clean corner appearance
- Lens is also mitered for lens-to-lens interfaces that mirror the mitered housing
- Lens is illuminated to the corner (AKA: lit corners)
- Adjustable aircraft cable suspension system
- High quality powder coated finish (anodized finishes not available with welded custom patterns).

CUSTOMER INSTRUCTIONS

A. Select "CP" option in the ordering block (found in the NOMINAL LENGTH column)

B. Submit simple drawing(s) with the following info:

- Provide number of legs of pattern
- Length of each leg (A, B, C, D, etc)
- Angles of corners (a1, b1, c1, d1, etc)

1. For '3 dimensional' patterns, please provide side view(s) with desired angles, in addition to a top view.

2. Minimum corner angle is 30 degrees.



CUSTOM PATTERN PICTURED

EXAMPLES:

Customer Specification

1. Qty Legs = 3
2. A, B, C = 3ft
3. a1, b1, c1 = 60 deg

Customer Specification

1. Qty Legs = 4
2. A & C = 8ft, B & D = 4ft
3. a1, b1, c1, d1 = 90 deg

Customer Specification

1. Qty Legs = 4
2. A = 8ft, B = 6ft, C = 6ft, D = 4ft-3in
3. a1 & b1 = 90 deg. c1 = 45 deg