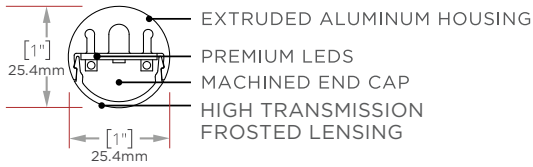


## Linear Series - Round 0

### CABLE SUSPENDED



#### FEATURES:

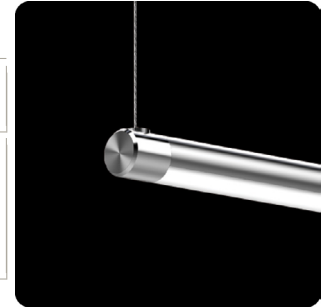
- 1 INCH DIAMETER ROUND PROFILE
- POWERED SUSPENSION SYSTEM - NO SEPARATE POWER CORD DROP
- HIGH TRANSMISSION FROSTED LENSES
- 1% DIMMING DRIVERS STANDARD
- EXTRUDED ALUMINUM HOUSING WITH NO VISIBLE FASTENERS
- MACHINED ALUMINUM END CAPS WITH EASY ACCESS REMOVAL
- 360 DEGREE ROTATION OPTION - WITH MECHANICAL LOCKING

**NOTES:** REQUIRES REMOTE DRIVERS

#### PERFORMANCE

STATIC WHITE | FLOOD DIRECT

POWER LEVELS	LIGHT DIRECT LM/4FT	TOTAL LIGHT LM/4FT	ENERGY WATTS/4FT	EFFICACY LPW	CCT/CRI
VL	2199	2199	16	137	4000/80
L	3082	3082	24	128	4000/80
S	4080	4080	32	128	4000/80
H	4909	4909	40	123	4000/80
VH	5922	5922	48	123	4000/80



#### CCT MULTIPLIERS STATIC WHITE

CCT	2700K		3000K		3500K		4000K		5000K	
CRI	80	90	80	90	80	90	80	90	80	90
MULTIPLIER	0.93	0.79	0.96	0.82	0.97	0.85	1	0.89	1.01	0.89

NOTE: ALL ITALICIZED OPTIONS MAY INCREASE LEAD TIME. PLEASE CONSULT FACTORY WITH QUESTIONS.

FIXTURE MODEL	MOUNTING	NOMINAL LENGTH (FT)	CCT/CRI	DIRECT POWER LEVEL <sup>1</sup>	DIRECT BEAM DISTRIBUTION	INDIRECT POWER LEVEL <sup>1</sup>	INDIRECT BEAM DISTRIBUTION <sup>1</sup>	DRIVER
LS-RND-0	<b>CSD</b> Cable Suspended Directional <b>CSI</b> Cable Suspended Indirect <b>CSR</b> Cable Suspended Rotational	2 3 4 <i>CP<sup>3,4</sup> Custom Pattern</i> <b>CR<sup>1,2,3</sup></b> Continuous Run (Specify Length in Nominal Feet)	827 830 835 840 850 927 930 935 940 950 <i>TW2765</i> <i>WD1827</i>	VL Very low L Low S Standard H High VH Very High	F Flood	VL Very low L Low S Standard H High VH Very High	F Flood	<b>1D</b> 0-10V EldoLED 1% <i>01D</i> 0-10V EldoLED 0.1%  <i>LDE1</i> Lutron Ecosystem 1% <i>LDE5</i> Lutron Ecosystem 5%  <i>1DT (TW)<sup>2</sup></i> <i>1DW (WD)<sup>2</sup></i> <i>DALI (INTL)</i>  2. 0-10V input - CHOOSE DALI instead for INTL versions
		1. Power feed is always first section of a continuous run 2. CR avail only with rotational mounting 3. See final page for CP specifications guide 4. Finish must be powdercoated		1. Select only 'Direct' attributes for CSR & CSD mountings		1. Select only 'Indirect' attributes for CSI mounting		

HOUSING FINISH	END CAPS FINISH <sup>1</sup>	DRIVER HOUSING FINISH	CANOPY SIZE	CANOPY FINISH	POWER CORD	CABLE LENGTH	OPTIONS <sup>6</sup>
<b>SC</b> Satin Clear Anodize <b>SW</b> Satin White Powder Coat <b>MB</b> Matte Black Powder Coat <b>CF</b> Custom Finish (Consult Factory)	<b>MF</b> Machined Finish <b>SW</b> Satin White <b>MB</b> Matte Black <i>CF Custom Finish (Consult Factory)</i>	<b>SC</b> Satin Clear <i>SW Satin White</i> <b>MB</b> Matte Black	<b>44</b> 4" Power feed canopy 4" Non-power feed canopy <b>44E</b> 4" Power feed canopy 4" Non-power feed canopy - International <b>40</b> 4" Power feed canopy Canopy only at power feed <b>40E</b> 4" Power feed canopy Canopy only at power feed - International <b>41</b> 4" Power feed canopy 1" Non-power feed canopy <b>41E</b> 4" Power feed canopy 1" Non-power feed canopy - International	<b>MF</b> Machine Finish <b>SW</b> Satin White <b>MB</b> Matte Black <i>CF Custom Finish (Consult Factory)</i>	PSS	4' 4" 8' 8"	<b>EMB7<sup>1,6</sup></b> 7 Watt battery back-up (Approximately 600 lumens) <b>EMB12<sup>1,6</sup></b> 12 Watt battery back-up (Approximately 1000 lumens) <b>EMW<sup>1</sup></b> Emergency Circuit Wiring  1. EMB/EMW only linked to first section of continuous run 6. Factory EMB and Sensor (WS) options not avail for INTL
	1. CSR rotational hardware finish matches end cap finish selection						

#### GENERAL NOTES:

All fixtures are UL listed for dry and damp locations. Fixtures with International (E) option designation are CE and ROHS compliant. REMOTE DRIVER for all options. Please contact the factory with any specification questions.

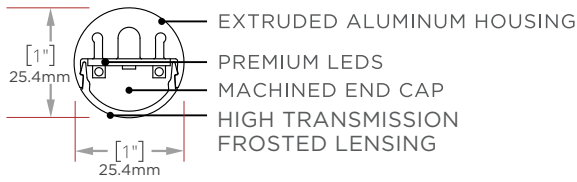


#### FIXTURE ORIENTATION

Direct (CSD) for downlight applications  
 Indirect (CSI) for up light applications  
 Rotational (CSR) for adjustable applications: 360 degree rotational capacity with locking mechanism.

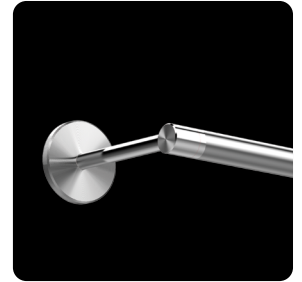
## Linear Series - Round 0

### ROTATIONAL ARM MOUNT



#### FEATURES:

- 1/2" DIAMETER RIGID TUBE MOUNTING SYSTEM
- HIGH TRANSMISSION FROSTED LENSES
- 1% DIMMING DRIVERS STANDARD
- EXTRUDED ALUMINUM HOUSING WITH NO VISIBLE FASTENERS
- MACHINED ALUMINUM END CAPS WITH EASY ACCESS REMOVAL
- 360 DEGREE ROTATION OPTION WITH MECHANICAL LOCKING



NOTE: ALL ITALICIZED OPTIONS MAY INCREASE LEAD TIME. PLEASE CONSULT FACTORY WITH QUESTIONS.

FIXTURE MODEL	MOUNTING	NOMINAL LENGTH (FT)	CCT/CRI	DIRECT POWER LEVEL	DIRECT BEAM DISTRIBUTION	DRIVER	HOUSING FINISH
LS-RND-0	<b>RAM</b> Rotational Arm Mount <i>RAME</i> Rotational Arm Mount - International	1 2 3 4 <i>CR<sup>13</sup> Continuous Run (Specify Length in Nominal Feet)</i>	827 830 835 840 850 927 930 935 940 950 <i>TW2765</i> <i>WD1827</i>	VL Very low L Low S Standard H High VH Very High	F Flood	1D 0-10V EldoLED 1% <i>01D 0-10V EldoLED 0.1%</i>  LDE1 Lutron Ecosystem 1% LDE5 Lutron Ecosystem 5%  1DT (TW) <sup>2</sup> 1DW (WD) <sup>2</sup> DALI (INTL)	SC Satin Clear Anodize SW Satin White Powder Coat MB Matte Black Powder Coat CF Custom Finish (Consult Factory)
		1. Power feed is always first section of a continuous run 3. Rotational mounting w/CR will have a power feed for every section				1. EMB/EMW only linked to first section of continuous run 2. 0-10V input - CHOOSE DALI instead for INTL versions	

END CAPS & RAM HARDWARE FINISH	DRIVER HOUSING FINISH	ARM LENGTH	MOUNTING PLATE	OPTIONS <sup>6</sup>
MF Machine Finished SW Satin White Powder Coat MB Matte Black Powder Coat CF Custom Finish (Consult Factory)	SC Satin Clear SW Satin White MB Matte Black	3 6 9 12	4CPF	EMB7 <sup>1,6</sup> 7 Watt battery back-up (Approximately 600 lumens) EMB12 <sup>1,6</sup> 12 Watt battery back-up (Approximately 1000 lumens) EMW <sup>1</sup> Emergency Circuit Wiring
				1. EMB/EMW only linked to first section of continuous run 6. Factory EMB and Sensor (WS*) options not avail for INTL

3-Ø MUD RING (BY OTHERS)

JUNCTION BOX (BY OTHERS)

MOUNTING PLATE

PRECISION MACHINED MAGNETIC COVER PLATE

1/2" DIAMETER RIGID ARM

PRECISION MACHINED KNUCKLE - ALLOWS FOR 360 DEGREES OF ROTATION

ROTATIONAL ARM MOUNT INFORMATION

#### GENERAL NOTES:

All fixtures are UL listed for dry and damp locations. Fixtures with International (E) option designation are CE and ROHS compliant. REMOTE DRIVER for all options. Please contact the factory with any specification questions.



## Linear Series - Round 0

### DIRECT

#### STATIC WHITE | FLOOD DIRECT

POWER LEVELS	LIGHT DIRECT LM/4FT	TOTAL LIGHT LM/4FT	ENERGY WATTS/4FT	EFFICACY LPW	CCT/CRI
VL	2199	2199	16	137	4000/80
L	3082	3082	24	128	4000/80
S	4080	4080	32	128	4000/80
H	4909	4909	40	123	4000/80
VH	5922	5922	48	123	4000/80

#### CCT MULTIPLIERS, STATIC WH

CCT	80CRI	90CRI
2700K	0.93	0.79
3000K	0.96	0.82
3500K	0.97	0.85
4000K	1.00	0.89
5000K	1.01	0.89

#### DYNAMIC WHITE | FLOOD DIRECT

POWER LEVELS	LIGHT DIRECT LM/4FT	TOTAL LIGHT LM/4FT	ENERGY WATTS/4FT	EFFICACY LPW	CCT/CRI
VL	1543	1543	24	64	4000/90
L	2163	2163	32	68	4000/90
S	2864	2864	36	80	4000/90
H	3446	3446	44	78	4000/90
VH	4156	4156	48	87	4000/90

#### CCT MULTIPLIERS, DYNAMIC WH

CCT	90CRI
2700K	1.09
3000K	1.08
3500K	1.03
4000K	1.00
5000K	0.99
6500K	0.98

#### WARM DIM | FLOOD DIRECT

POWER LEVELS	LIGHT DIRECT LM/4FT	TOTAL LIGHT LM/4FT	ENERGY WATTS/4FT	EFFICACY LPW	CCT/CRI
VL	1620	1620	24	68	2700/90
L	2271	2271	32	71	2700/90
S	3007	3007	36	84	2700/90
H	3618	3618	44	82	2700/90
VH	4364	4364	48	91	2700/90

#### CCT MULTIPLIERS, WARM DIM

CCT	90CRI
1800K	0.02
2250K	0.17
2700K	1.00

#### RGBW | FLOOD DIRECT

POWER LEVELS	CHANNEL (S)	LIGHT DIRECT LM/4FT	TOTAL LIGHT LM/4FT	ENERGY WATTS/4FT	EFFICACY LPW	CCT
S	White	397	397	10	40	4000
S	All	918	918	20	46	N/A

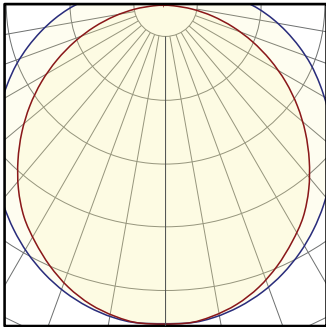
## Linear Series - Round 0

### DIRECT

DIRECT OPTICS: LUMEN OUTPUT (PER 4FT)

TYPE	CCT/CRI	ENERGY WATTS/4FT	FLOOD LM/4FT	FLOOD LPW
STATIC WHITE	4000K/80	S (32W)	4080	128
DYNAMIC WHITE	4000K/90	S (36W)	2864	80
WARM DIM	2700K/90	S (36W)	3007	84
RGBW	ALL CHANNELS UP	S (20W)	918	46

### FLOOD\*



MAX CANDELA: 1128  
 DELIVERED LUMENS: 4080  
 WATTS: 32  
 LPW: 128

\*Fixture Properties: 4ft Nominal Length, Standard Output, Static White 4000K/80CRI

### CCT MULTIPLIERS STATIC WHITE

CCT	2700K		3000K		3500K		4000K		5000K	
CRI	80	90	80	90	80	90	80	90	80	90
MULTIPLIER	0.93	0.79	0.96	0.82	0.97	0.85	1	0.89	1.01	0.89

### CCT MULTIPLIERS DYNAMIC WHITE

CCT	2700K	3000K	3500K	4000K	5000K	6000K
CRI	90	90	90	90	90	90
MULTIPLIER	1.09	1.08	1.03	1	0.99	0.98

### CCT MULTIPLIERS WARM DIM

CCT	1800K	2250K	2700K
CRI	90	90	90
MULTIPLIER	0.02	0.17	1

### POWER LEVEL MULTIPLIERS

POWER	VL	L	S	H	VH
STATIC WHITE	0.53	0.75	1	1.2	1.45
DYNAMIC WHITE	0.53	0.75	1	1.2	1.45
WARM DIM	0.53	0.75	1	1.2	1.45

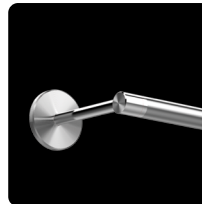
## Linear Series - Round 0

### MOUNTING



#### CABLE SUSPENDED DIRECT (CSD) CABLE SUSPENDED INDIRECT (CSI)

This fixture can be a static down-light: Direct (CSD) or static up-light: Indirect (CSI). Aircraft cables come in 4ft and 8ft lengths and are field adjustable.



#### ROTATIONAL ARM MOUNT (RAM)

This system uses 5/8" diameter aluminum arms and subtle details in combination with a 360 degree rotational capacity to create some of the most versatile linear fixtures in the architectural market. Standard mounting uses 3/0 mud rings (supplied by others). Engineered with no visible fasteners, smooth rotation, and mechanical locking, the RAM system reveals an impressive aesthetic with exceptional versatility.



#### CABLE SUSPENDED - ROTATIONAL (CSR)

Using a similar setup to the Cable Suspended system above, the Cable Suspended - Rotational system has 360 degree rotational capacity with mechanical fasteners to lock fixtures in place if desired. This system offers incredible flexibility, light direction control, and a dynamic aesthetic.

### CONTINUOUS RUN (CR)

Our 360 degree rotational continuous run option enables individual sections to rotate independently of each other, which offers adjustable asymmetric light distribution capacity along with striking appearances such as alternating up/down fixtures or spiral transitions. The flexibility within the rotational option makes for infinite design and functional possibilities.



CONTINUOUS RUN ROTATIONAL



CONTINUOUS RUN ROTATIONAL  
(SPIRAL EFFECT)



FIXTURE WITH CONTINUOUS RUN ROTATIONAL

### CANOPIES

44



4" diameter power feed and 4" diameter non-power feed canopy.

40



4" diameter machined power feed canopy and no canopy on the non-power feed side. Minimal aesthetic. Requires a 1/4-20 stud securely attached to the ceiling.

41



4" diameter machined power feed and 1-1/4" diameter machined non-power feed canopy. Offers minimal ceiling treatment while maintaining the ability to cover mistakes. Requires a 1/4-20 stud securely fastened to the ceiling.

#### 44E, 41E, 40E (\*\*E) International Canopy



INTL POWERFEED CANOPY  
FOR REMOTE DRIVER  
FIXTURES (PSS CABLE)

This powerfeed canopy replaces the flat style canopy from the North American mounting style (44, 41, & 40) versions pictured)

PROJECT \_\_\_\_\_

TYPE \_\_\_\_\_

## Linear Series - Round 0

### COLOR AND FINISH

Standard luminaire housing finishes are Satin Clear anodized, Matte Black powder coat, and Satin White powder coat. Standard hardware (end caps, knuckles, cover plates, etc.) finishes are Machined Finish, Matte Black powder coat, & Satin White powder coat. Custom anodizing and powder coated finishes are available as well. If you have a particular color/finish treatment in mind, please contact the factory and we will do our best to accommodate your project needs.

#### LUMINAIRE



SATIN CLEAR  
ANODIZING

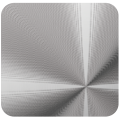


MATTE  
BLACK



SATIN  
WHITE

#### HARDWARE



MACHINED  
COMPONENTS



MATTE  
BLACK



SATIN  
WHITE

#### CUSTOM



BRONZE



COLOR ANODIZE



SPECULAR

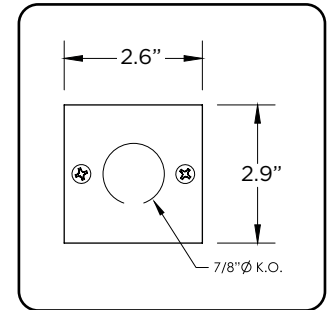
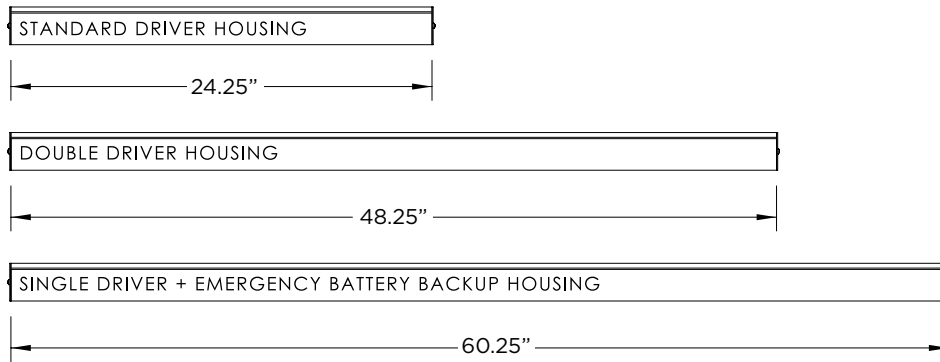


RAL COLORS

## Linear Series - Round 0

### REMOTE DRIVERS HOUSING SIZE

The driver housing length is typically dictated by the options selected. Standard driver housing lengths are as shown. Non standard driver requests may increase or decrease the driver housing length. Specifications are subject to change without notice. Consult factory with questions, requests, or size limitations and we will do our best to accommodate your needs.

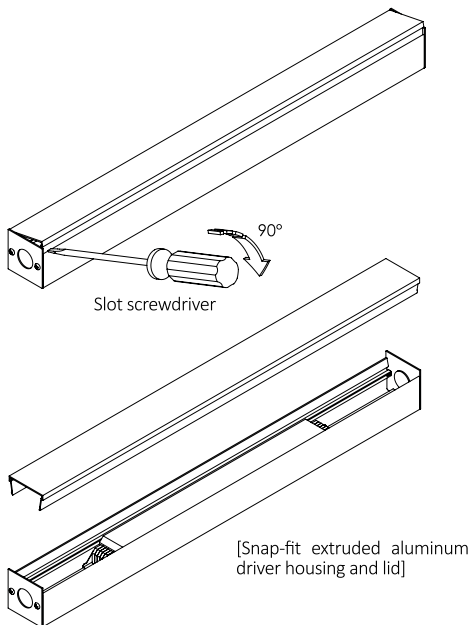


DRIVER HOUSING PROFILE

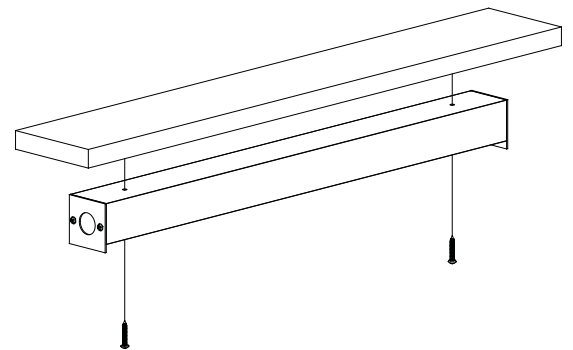
### INSTRUCTIONS

See below for lid removal and installation instructions.

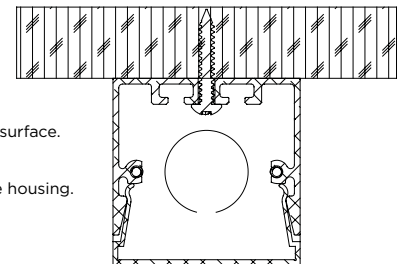
To remove the driver housing lid, use a broad slot screwdriver in the channel as shown here and twist the screwdriver ninety degrees. This may need to be done at both ends of the housing or multiple locations depending on the driver housing length.



- 1) Drill mounting holes in the driver housing as needed to secure to a suitable surface. (If needed, a power feed hole can be drilled into the bottom of the housing for certain mounting/power feed applications).



- 2) Secure the housing to the surface. (Fasteners by others)
- 3) Complete wire make-up. Snap extruded lid onto the housing.



## Linear Series - Round 0

### WELDED CORNERS

- Luminaire housing is custom mitered & welded for a clean corner appearance
- Lens is also mitered for lens-to-lens interfaces that mirror the mitered housing
- Lens is illuminated to the corner (AKA: lit corners)
- Adjustable aircraft cable suspension system
- High quality powder coated finish (anodized finishes not available with welded custom patterns).

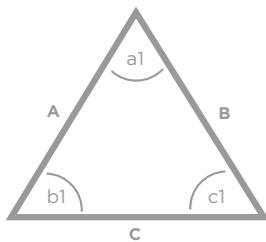
### CUSTOMER INSTRUCTIONS

- A. Select "CP" option in the ordering block (found in the NOMINAL LENGTH column)
- B. Submit simple drawing(s) with the following info:
- Provide number of legs of pattern
  - Length of each leg (A, B, C, D, etc)
  - Angles of corners (a1, b1, c1, d1, etc)
1. For '3 dimensional' patterns, please provide side view(s) with desired angles, in addition to a top view.
  2. Minimum corner angle is 30 degrees.



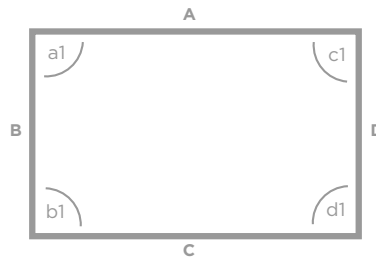
CUSTOM PATTERN PICTURED

### EXAMPLES:



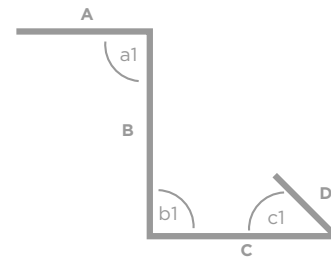
#### Customer Specification

1. Qty Legs = 3
2. A, B, C = 3ft
3. a1, b1, c1 = 60 deg



#### Customer Specification

1. Qty Legs = 4
2. A & C = 8ft, B & D = 4ft
3. a1, b1, c1, d1 = 90 deg



#### Customer Specification

1. Qty Legs = 4
2. A = 8ft, B = 6ft, C = 6ft, D = 4ft-3in
3. a1 & b1 = 90 deg, c1 = 45 deg