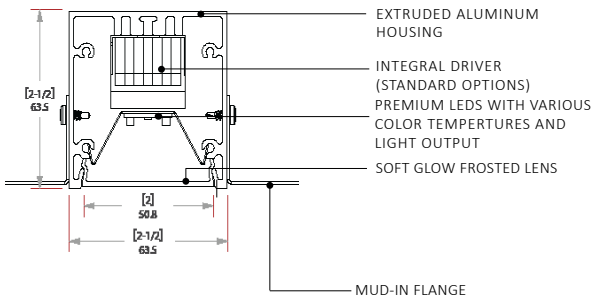
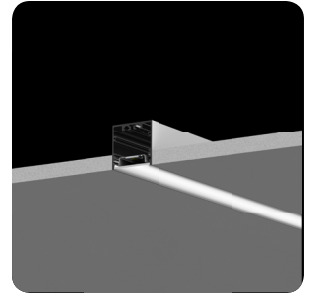


Linear Recessed Series - Round 2



• FEATURES:

- 2" aperture recessed fixture
- High transmission frosted lenses with no diode imaging
- No visible fasteners
- Extruded aluminum housing
- Dimmable/Programmable drivers for controllable light output
- High efficacy LEDs with 5 year warranty
- Under 2 steps MacAdams Ellipse Binning
- Nearly limitless Continuous Runs



NOTE: ALL OPTIONS ITALICIZED MAY INCREASE LEAD TIMES AND/OR INCUR HIGHER COSTS - PLEASE CONSULT FACTORY WITH QUESTIONS.

FIXTURE MODEL	MOUNTING	NOMINAL LENGTH*	COLOR TEMP	LED DRIVE POWER	VOLTAGE	DRIVER
LS-LRD-2	<i>DMI</i> Dry Wall	1	27K <i>2700K</i>	<i>VLO</i> Very Low Output 405 lumens/ft. (4w/ft.)	UNV Universal (120-277v) 1V 120v 2V 227v 3V 347v*	ND Non - Dimming 0-10V Dimming 10D 10% DIM 1D 1% DIM LUTRON LDE1 Lutron EcoSystem 1% "Soft on" (Digital) LDE5 Lutron EcoSystem 5% 5-Series (Digital) DAL DALI Digital Addressable Lighting Interface
	Mud-In	2	30K <i>3000K</i>	<i>LO</i> Low Output 610 lumens/ft. (6w/ft.)		
	<i>ACT15</i> 15/16" Grid Act	3	35K <i>3500K</i>	<i>SO</i> Standard Output 795 lumens/ft. (8w/ft.)		
	<i>ACT9</i> 9/16" Grid Act	4	40K <i>4000K</i>	<i>HO</i> High Output 1,000 lumens/ft. (10w/ft.)		
		5	50K <i>5000K</i>	<i>VHO</i> Very High Output 1,160 lumens/ft. (12w/ft.)		
		6		<i>CPO</i> Custom Power Output Consult factory		
		7				
		8				
		CR __				

*Dimensions are for reference only. Contact factory for more specific information or shop drawings.
**Odd lengths may incur slightly higher per foot pricing.

*Not Applicable with CSD option.

*Not all dimming options are available with 347v.

HOUSING FINISH	OPTIONS/CUSTOMIZATION*
SW Satin White (Standard)	<i>EMB7</i> 7 Watt battery back-up** (Approximately 600 lumens)
CF Custom Finish* (Consult Factory)	<i>EMB12</i> 12 Watt battery back-up** (Approximately 1,000 lumens)
	90 (Approximately 1,000 lumens)
	CCP lumens
	CD 90+ CRI LED BOARDS
	CR Corners/patterns*
	WSN Custom Driver*
	WSE Customization Requested*
	WSW ed*
	WSL <i>Nlight Air</i> <i>Enlighted</i> <i>Wavelinx</i> <i>Lutron Vive</i>

NOTE: Customization may incur higher costs and/or increased lead times.
*Consult the factory for all custom options or custom concept requests.
**The EMB12 is slightly more expensive than the EMB7 option (BOTH OPTIONS ARE INTEGRAL).

*RAL and color match are available.

GENERAL NOTES:

All fixtures are UL listed for dry and damp locations. Fixtures with International (E) option designation are CE and ROHS compliant. INTEGRAL DRIVER for all options. Please contact the factory with any specification questions.



FIXTURE ORIENTATION

Direct (CSD) for downlight applications
Indirect (CSI) for up light applications
Rotational (CSR) for adjustable applications: 360 degree rotational capacity with locking mechanism.

Linear Recessed Series - Round 2

PRODUCT SPECIFICATION

- FIXTURE DELIVERED LIGHT POTENTIAL: 108 LUMENS/WATT*
- UNIFORM LIGHT DISTRIBUTION
- 90+ CRI LED DIODE OPTIONS
- EXCEPTIONAL BINNING - LESS THAN 2 STEP MACADAMS ELIPSE
- MINIMUM 70% INITIAL LUMEN OUTPUT AT 70,000 HOURS
- STANDARD 0-10V DIMMING TO %10
- LUTRON, ELDOLED, DALI, AND OTHER DIMMING OPTIONS
- 5 YEAR SYSTEM WARRANTY

*Actual fixture efficacy will be dependent on specification. Higher lumens per watt are achieved with lower drive powers. Please contact the factory with questions or for more information.

LUMEN OUTPUT*

LUMEN OUTPUT (PER FOOT)

DRIVER OUTPUT	WATTAGE	LUMENS
VERY LOW (VLO)	4	400
LOW (LO)	6	605
STANDARD (SO)	8	795
HIGH (HO)	10	995
VERY HIGH (VHO)	12	1,155

PER 4' FIXTURE (TOTAL DELIVERED LUMENS)

DRIVER OUTPUT	WATTAGE	LUMENS
VERY LOW (VLO)	16	1,600
LOW (LO)	24	2,420
STANDARD (SO)	32	3,180
HIGH (HO)	40	3,980
VERY HIGH (VHO)	48	4,620

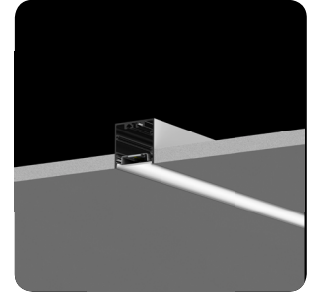
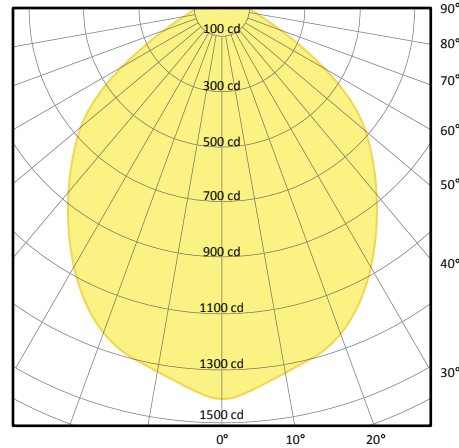
ZONAL LUMEN SUMMARY

ZONE	LUMEN	%LAMP	%FIXTURE
0 - 30	938	21.7%	29.5%
0 - 40	1,512	35%	47.6%
0 - 60	2,571	59.5%	81%
0 - 90	3,176	73.5%	100%

FIXTURE PROPERTIES (AS TESTED)

- 4' nominal length fixture
- Standard Output (SO)
- Total system energy consumption: 64 Watt
- 101 Lumens/Watt
- 4000K 80 CRI LED

LUMINOUS INTENSITY DISTRIBUTION



GENERAL NOTES:

All fixtures are UL listed for dry and damp locations. Fixtures with International (E) option designation are CE and ROHS compliant. INTEGRAL DRIVER for all options. Please contact the factory with any specification questions.



FIXTURE ORIENTATION

Direct (CSD) for downlight applications
 Indirect (CSI) for up light applications
 Rotational (CSR) for adjustable applications: 360 degree rotational capacity with locking mechanism.