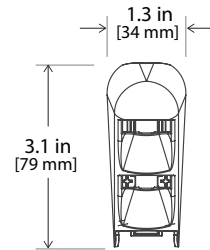


Vertical Light

COMPACT SAFETY LIGHTING FOR POST OR SURFACE



APPLICATION

The compact Vertical Light series adds a small punch of light exactly where you need it.

VL1 mounts to a 1.5" to 2" diameter post, such as the front of a hand rail, to provide a spill of light on a step or landing to improve safety illumination.

VL2 may be mounted to flat surfaces, for applications such as lighting personal tables on luxury cinema seating.

VLP is a stand alone luminaire on 16" mounting post with VL1 attached and pre-wired.

CONSTRUCTION

- Die cast aluminum housing
- Vandal resistant
- Easily replaceable LED modules

POWER SYSTEM

- Utilizes remote, Class II low-voltage 12V AC power supply
- Dimmable with compatible transformers and dimmers

PERFORMANCE

- 3 LED module is shielded to minimize glare
- Less than 0.5 watts energy consumption
- Operating temperature range of -20°C to 50°C

LIGHT CHARACTERISTICS

- Available in 2200K, 2700K, 3000K, 3500K, plus Red, Green, Blue and Amber.
- 80+ Color Rendering Index (CRI)



VLP MODEL

Buy Tempo
Buy American



WARRANTY

Tempo provides a 2-year limited warranty.

A 5-year limited warranty will apply when installed by a Tempo Certified Installer.

86,000 HOURS

L85 LUMEN MAINTENANCE

LED Luminaires will reach 85% of initial lumen output at or beyond 86,000 hours at 25°C.



Vertical Light

COMPACT SAFETY LIGHTING FOR POST OR SURFACE

ORDERING INFORMATION

VL1 & VL2 SERIES

Example: VL1-22-BK

Post Mount Vert Light 1, 2200K, Black

		BK
PLATFORM		
Series	LED Color Temperature	Finish
VL1 Post Mount	22 2200K 27 2700K	BK Black
VL2 Flat Surface Mount	30 3000K 35 3500K	
	RD Red	
	GR Green	
	BL Blue AM Amber	



VLP SERIES

Example: VLP-16-35-BK

Vert Light With Post, 16", 3500K, Black

VLP	16		BK
PLATFORM			
Series	Post Height	LED Color Temperature	Finish
VLP VL1 with Post	16 16"	22 2200K 27 2700K 30 3000K 35 3500K RD Red GR Green BL Blue AM Amber	BK Black



SYSTEM INTEGRATION ACCESSORIES

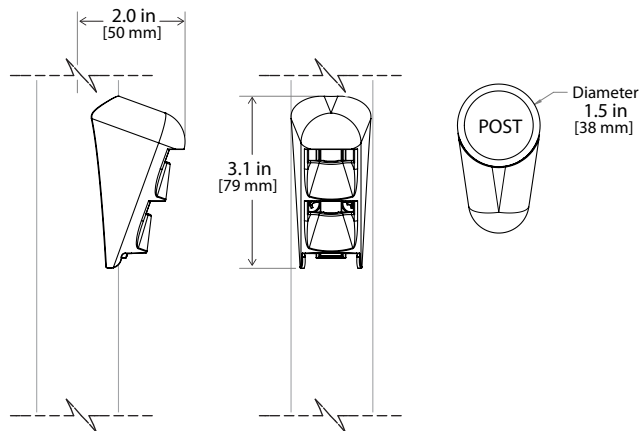
POWER SUPPLIES		
	PWR-T010012/2	120V AC Input, 12V AC Output, 100W, 2 Circuit, Class II Magnetic Transformer, NEMA 3R Case
	PWR-T015012/2	120V AC Input, 12V AC Output, 150W, 3 Circuit, Class II Magnetic Transformer, NEMA 3R Case
	PWR-T025012/2	120V AC Input, 12V AC Output, 250W, 4 Circuit, Class II Magnetic Transformer, NEMA 3R Case
SURGE SUPPRESSION DEVICE Tempo furnished surge suppression device must be installed on each supplying branch circuit to comply with warranty terms.		
	SSD-120	120V Branch Circuit
	SSD-277	277V Branch Circuit

Vertical Light

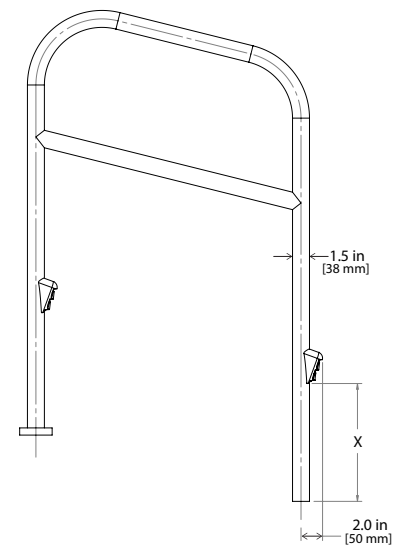
COMPACT SAFETY LIGHTING FOR POST OR SURFACE

DIMENSIONAL INFORMATION

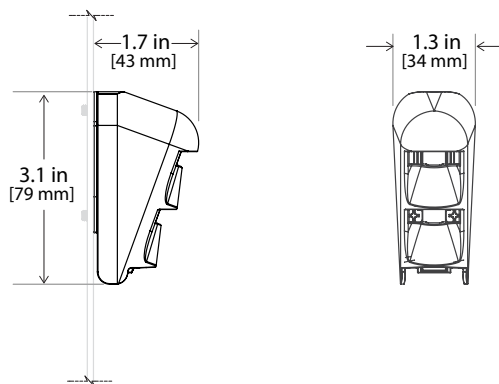
VL1 (FOR POST MOUNTING)



VL1 EXAMPLE ON RAIL ASSEMBLY



VL2 (FOR FLAT SURFACE MOUNT)

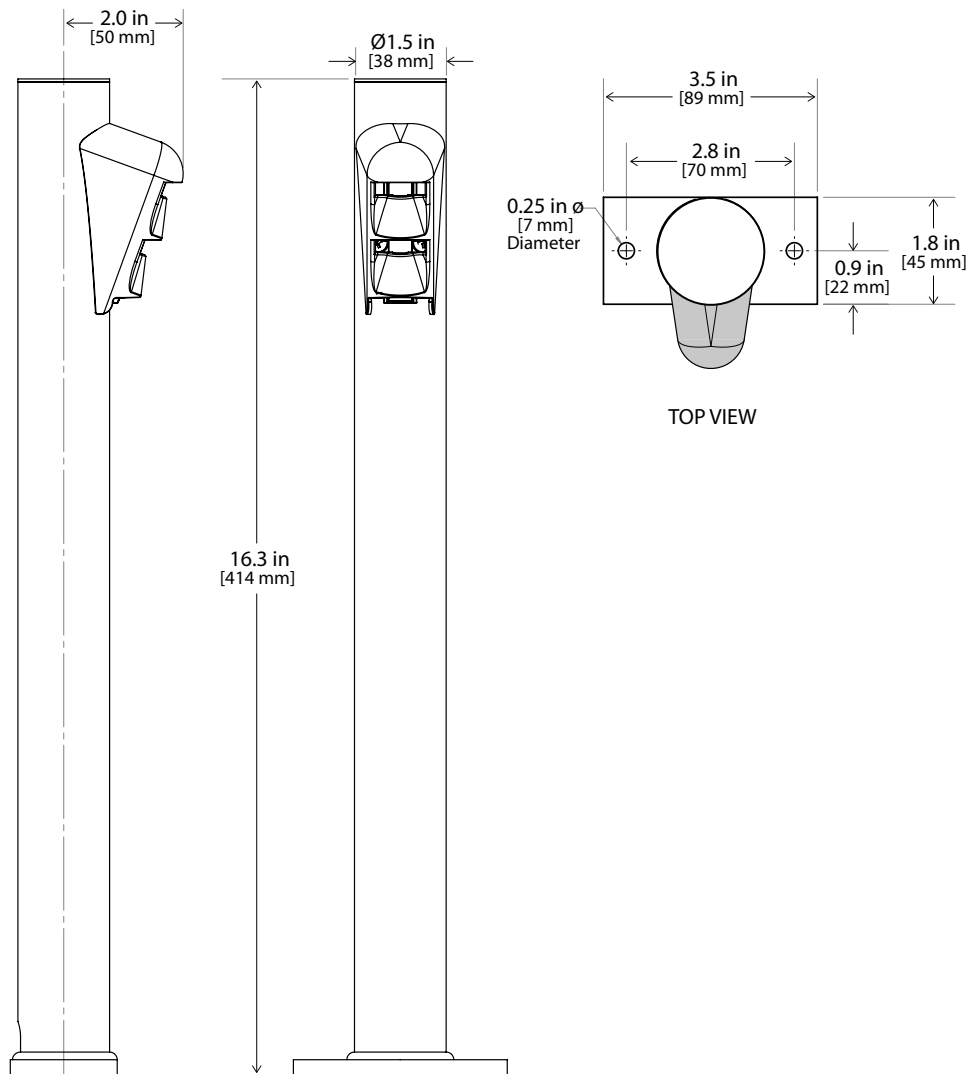


Vertical Light

COMPACT SAFETY LIGHTING FOR POST OR SURFACE

DIMENSIONAL INFORMATION

VLP MODEL



Tempo products and technologies are protected under one or more US and International patents.

Tempo reserves the right to change materials or modify the design of its product without notification as part of the company's continuing product improvement program. Please consult www.tempollc.com for the most up-to-date specifications and technical data.