

SWIII In-line Row Marker



APPLICATION

Tempo's SWIII In-line Row Marker integrates with the SWIII Aisle, Step and Pathway Lighting system to provide a wall-mounted illuminated row indicator. Incorporating In-line Row Markers with the SWIII Wall Light System reduces wiring circuits for seat or floor row marker lights saving installation time.

CONSTRUCTION

- Rugged die cast aluminum housing
- Impact and vandal resistant
- Easily replaceable LED modules

PERFORMANCE

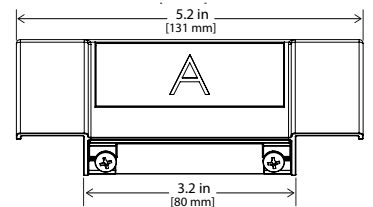
- Less than 0.1 watts energy consumption
- Dimmable with compatible transformers
- Operating temperature range of -20°C to 50°C

LIGHT CHARACTERISTICS

- Available in White, Red, Green, Blue, Amber and Yellow static colors

COMPANION PRODUCT

- SWIII Wall Light



Buy Tempo
Buy American

MADE IN
USA
OF US AND IMPORTED COMPONENTS

WARRANTY

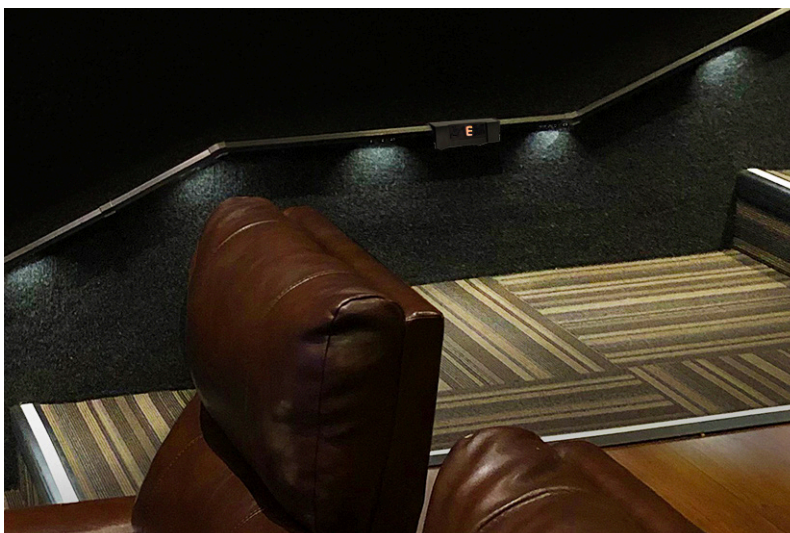
Tempo provides a 2-year limited warranty.

A 5-year limited warranty will apply when installed by a Tempo Certified Installer.

86,000 HOURS

L85 LUMEN MAINTENANCE

LED Luminaires will reach 85% of initial lumen output at or beyond 86,000 hours at 25°C.



SWIII In-line Row Marker

ORDERING INFORMATION

Example: 34RM-BK-AM-10

In Line Row Marker, Black Anodized, Amber LEDs, Standard Font

34RM		BK					
PLATFORM							
Series		Metal Finish		LED Color		Plate Graphics	
34RM SWIII In-lineRow Marker		BK Black Anodized		WH White RD Red GR Green BL Blue AM Amber YL Yellow		10 Standard font (Arial) 20 Special font (text only) 40 Special graphic (from factory) 50 Custom (customer supplied art)	

LENS GRAPHICS

GROUP 10 TEXT EXAMPLES – Arial Font Only



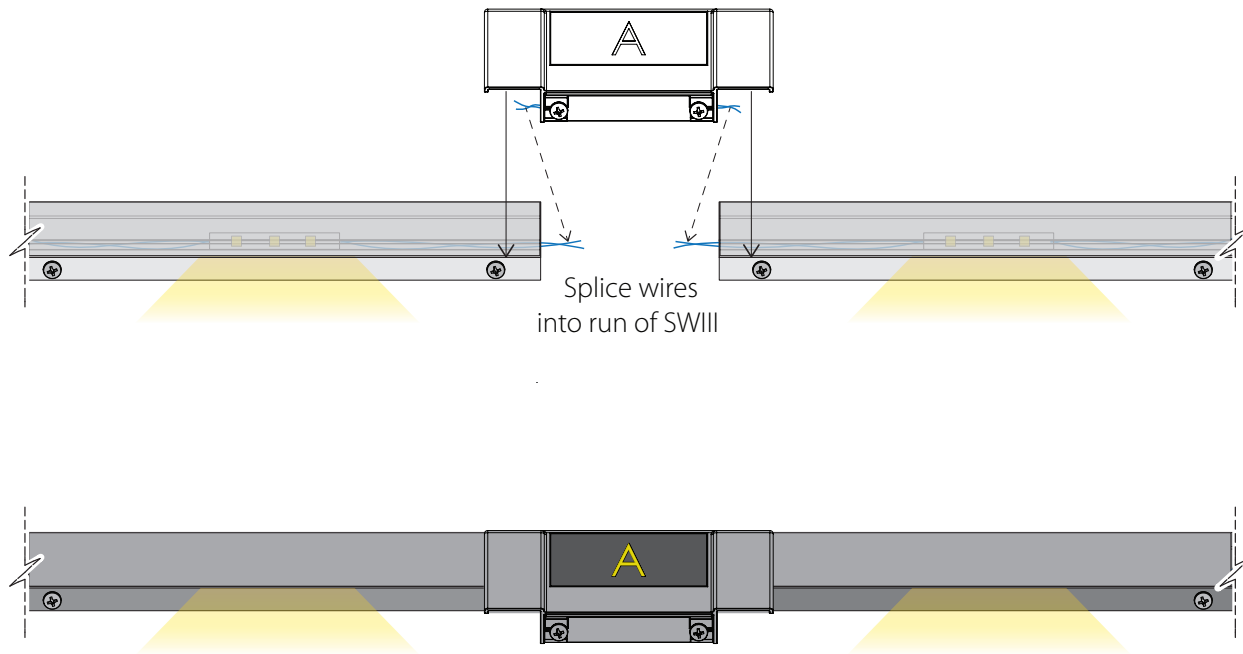
GROUP 40 GRAPHIC EXAMPLES – Standard Information Signs/Arial Font Only



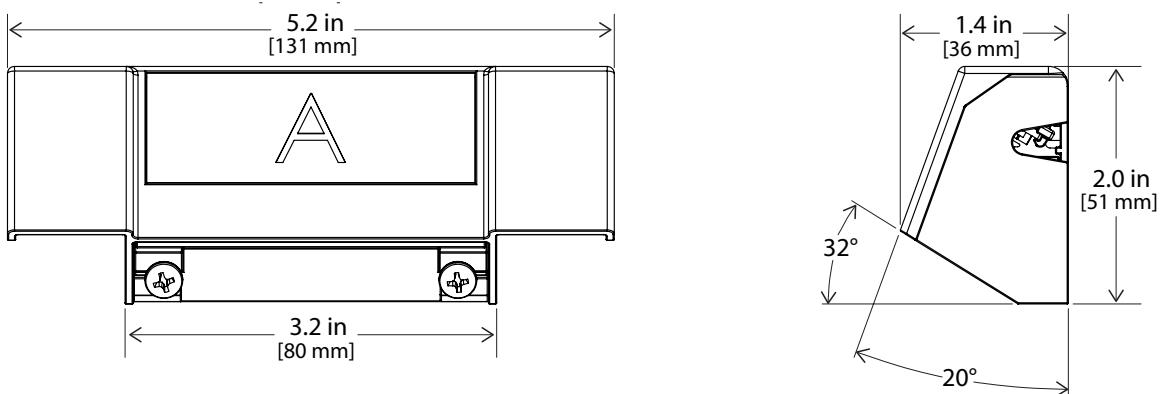
GROUP 50 GRAPHIC EXAMPLES – Custom Graphic (Customer Supplied Art)



SWIII In-line Row Marker



DIMENSIONAL INFORMATION



Tempo products and technologies are protected under one or more US and International patents.

Tempo reserves the right to change materials or modify the design of its product without notification as part of the company's continuing product improvement program. Please consult www.tempollc.com for the most up-to-date specifications and technical data.