

Sentinel™ SRL

SUPPLEMENTAL RAIL LIGHT



APPLICATION

The Sentinel™ SRL allows the addition of a LED based luminaire to new or existing 2" diameter stair rails. The integrated LED lighting modules of the SRL produce light levels that meet both IESNA recommendations and local code requirements for egress pathway lighting.

SRL is field adjustable to ensure full contact with the vertical uprights, providing a secure and rigid installation. Available in both symmetrical and asymmetrical (Left or Right side beam spread) light distribution patterns, the SRL is suitable for either center or side locations of stair, aisle and pathways.

Multiple lighting levels are possible through the spacing of the LED modules inside the SRL. In addition the SRL is fully dimmable making it easy to provide the suitable light levels in any ambient light condition.

CONSTRUCTION

- Extruded aluminum housing
- Fully assembled and wired
- Integrates into vertical post spacings from 11" to 53" lengths
- Field adjustable length - refer to max and min rail lengths in ordering information
- Suitable for retrofit or new construction

OPTICS/LENS/DIFFUSER

- Symmetrical or asymmetrical (left or right) distribution
- Integrated baffle for light shielding and directional control

POWER SYSTEM

- 12V AC or DC operation via remote power supply
- Low voltage class 2 electrical components for safety and lower cost installation
- Low energy consumption – less than 0.5 watts per LED module.
Typical 3ft SRL uses under 6 watts of power.

PERFORMANCE

- Dimmable with compatible transformer
- Exceeds life safety code levels for performance environments
- Operating temperature range of -20°C to 50°C

LIGHT CHARACTERISTICS

- Available in 2700K or 3500K color temperature
- 80+ Color rendering Index (CRI)

Buy Tempo
Buy American



WARRANTY

Tempo provides a 2-year limited warranty. A 5-year limited warranty will apply when installed by a Tempo Certified Installer.

86,000 HOURS

L85 LUMEN MAINTENANCE
LED Luminaires will reach 85% of initial lumen output at or beyond 86,000 hours at 25°C.



COMPANION PRODUCTS

Guardian Step Nose
LPS® Step Nose & Raceway

Sentinel™ SRL

SUPPLEMENTAL RAIL LIGHT

ORDERING INFORMATION

Example: SRL-06-S-27-BK-47

Supplemental Rail Light, 6" OC, Symmetrical, 2700K, Black, 47" max

SRL				BK	
PLATFORM					
Series	Module Spacing	Distribution	Color Temperature	Finish	Length
SRL Supplemental Rail Light	06 6" On Center 09 9" On Center 12 12" On Center	S Symmetrical A ¹ Asymmetrical	22 2200K	BK Black	14 14" max – 11" min
			27 2700K		17 17" max – 14" min
			35 3500K		20 20" max – 17" min
	40 4000K	23 23" max – 20" min			
	RD Red	26 26" max – 23" min			
	GR Green	29 29" max – 26" min			
	BL Blue	32 32" max – 29" min			
	AM Amber	35 35" max – 32" min			
		38 38" max – 35" min			
		41 41" max – 38" min			
		44 44" max – 41" min			
		47 ² 47" max – 44" min			
		50 ² 50" max – 47" min			
	53 ² 53" max – 50" min				

(1) Asymmetrical provides left or right throw via installation process. Power feed cable may be used on either end.

(2) Center Support Post (SRL-SPT) required for all SRL lengths over 47" for additional support

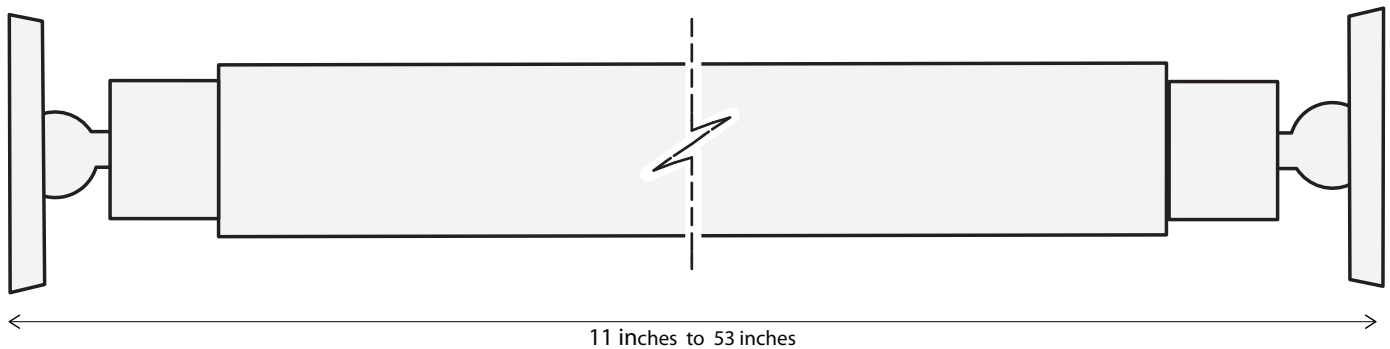
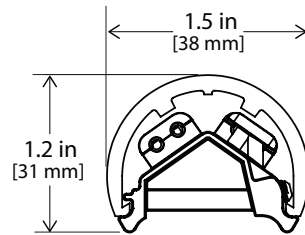
SYSTEM INTEGRATION ACCESSORIES

MOUNTING HARDWARE		
	SRL-HARDWARE	Mounting hardware (screws, bolts and washers)
SUPPORT POST Required for all SRL lengths over 47" for additional support		
	SRL-SPT	Center support post for SRL lengths over 47 inches
POWER FEED CABLES Additional lengths available, contact factory		
	PFC-SRL-48	Power feed cable for continuous runs, 48 inches
POWER SUPPLIES		
	PWR-T010012/2	120V AC Input, 12V AC Output, 100W, 2 Circuit, Class II Magnetic Transformer, NEMA 3R Case
	PWR-T015012/2	120V AC Input, 12V AC Output, 150W, 3 Circuit, Class II Magnetic Transformer, NEMA 3R Case
	PWR-T025012/2	120V AC Input, 12V AC Output, 250W, 4 Circuit, Class II Magnetic Transformer, NEMA 3R Case
SURGE SUPPRESSION DEVICE Tempo furnished surge suppression device must be installed on each supplying branch circuit to comply with warranty terms.		
	SSD-120	120V Branch Circuit
	SSD-277	277V Branch Circuit

Sentinel™ SRL

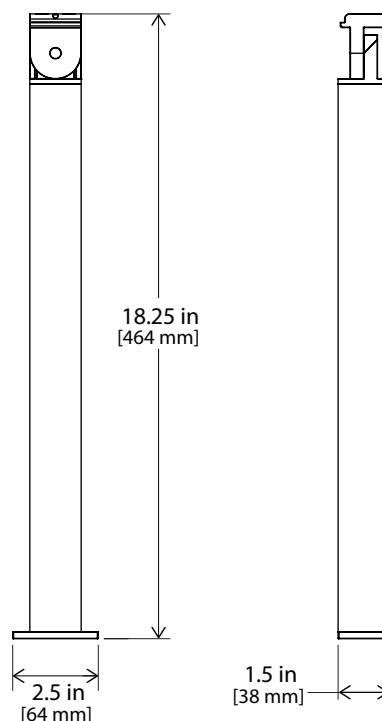
SUPPLEMENTAL RAIL LIGHT

DIMENSIONAL INFORMATION

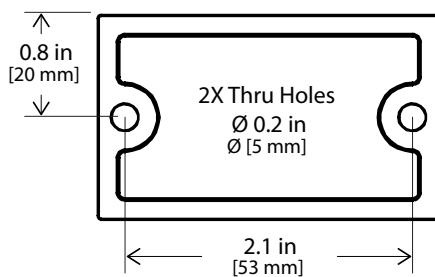


SRL-SPT CENTER SUPPORT POST

For use with SRL lengths over 47 inches



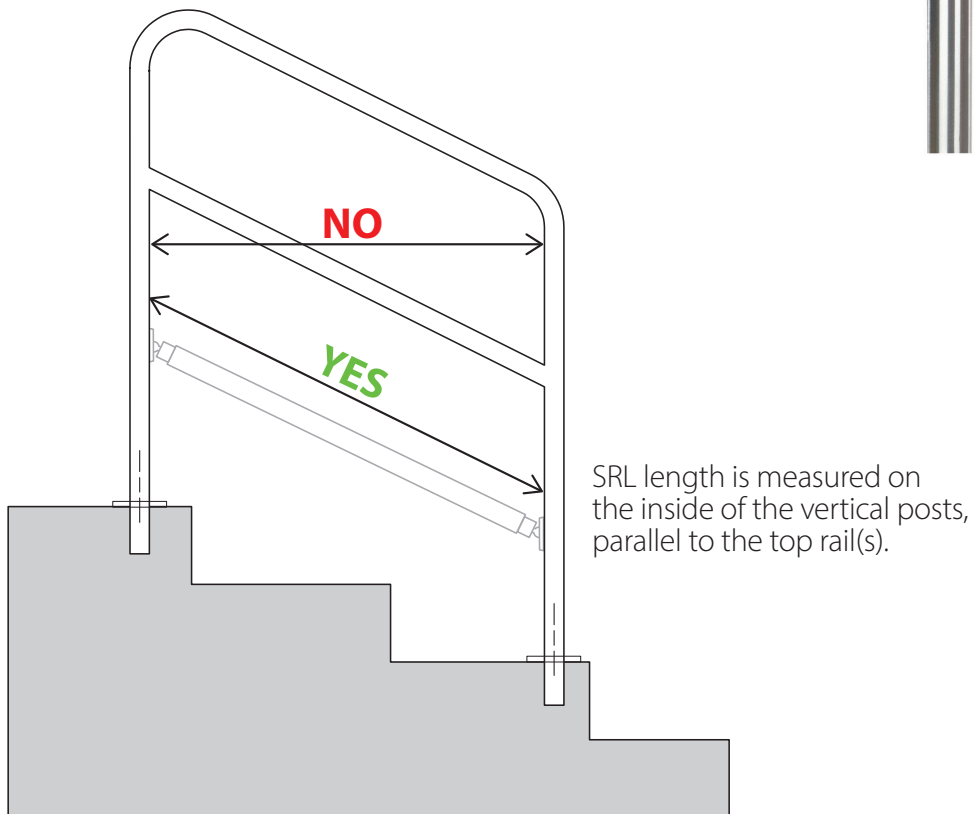
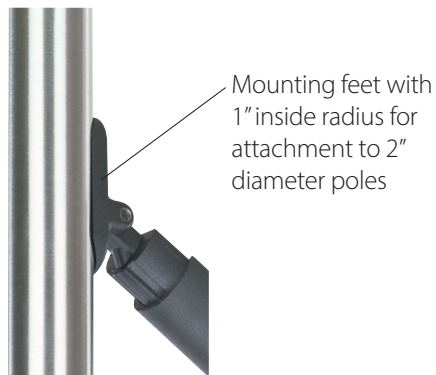
SRL-SPT Base Plate Template



Sentinel™ SRL

SUPPLEMENTAL RAIL LIGHT

ORDERING GUIDELINES



Tempo products and technologies are protected under one or more US and International patents.

Tempo reserves the right to change materials or modify the design of its product without notification as part of the company's continuing product improvement program. Please consult www.tempollc.com for the most up-to-date specifications and technical data.

SPEC_SRL-12-21b