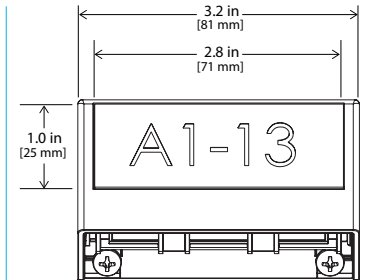


Sentinel™ Seat Light II

AISLE & STEP LIGHTING WITH BACK-LIT ROW MARKER



Buy Tempo
Buy American

MADE IN USA
OF US AND IMPORTED COMPONENTS

WARRANTY

Tempo provides a 2-year limited warranty. A 5-year limited warranty will apply when installed by a Tempo Certified Installer.

86,000 HOURS

L85 LUMEN MAINTENANCE
LED Luminaires will reach 85% of initial lumen output at or beyond 86,000 hours at 25°C.



COMPANION PRODUCTS

Guardian Step Nose
LPS® Step Nose & Raceway

APPLICATION

Sentinel Seat Light II is a low voltage, class 2, LED step and aisle lighting luminaire that incorporates a backlit informational panel. The compact design is ideal for center aisles and stairways in cinemas, theaters and auditoriums where an adjacent wall at end of row is not available for wall mounted luminaires. Designed to provide a wide and uniform distribution of light over paths of egress from a low mounting height while directing patrons with the back-lit row marker/graphics panel in red, green, blue, amber or yellow.

CONSTRUCTION

- Rugged die Cast Aluminum Housing
- Illuminated acrylic row marker/graphics panel
- Impact and vandal Resistant
- Easily replaceable LED modules
- Low Voltage – Class 2 wiring
- 18 AWG wire leads (6ft) jacketed with 3/16" flex metal conduit (5ft)

POWER SYSTEM

- Remote, Class II magnetic transformer, 120V AC input, 12V AC output.
- 29V DC option available for powered recliner seating with 29V DC power.

PERFORMANCE

- Less than 0.75 watts energy consumption
- Exceeds life safety code levels for performance environments
- Dimmable with compatible transformers
- Operating temperature range of -20°C to 50°C

LIGHT CHARACTERISTICS

- Available in 2200K, 2700K, 3500K, 4000K plus Red, Green, Blue and Amber.
- 80+ Color Rendering Index (CRI)



Sentinel™ Seat Light II

AISLE & STEP LIGHTING WITH BACK-LIT ROW MARKER

ORDERING INFORMATION

Example: **3421-BK-27K-12-BK-10BL**

Seat Light II, Black, 2700K, 12VAC, BK Plate, Standard Font Graphic - Blue

3421		BK									
PLATFORM											
Series	Metal Finish	Color Temp		Voltage		Graphics Plate Color		Plate Graphics		Graphic LED Color	
3421 Seat Light II	BK Black	22K	2200K	12	12V AC	BK	Black	00	No Graphic	RD	Red
		27K	2700K	29 ¹	29V DC			10	Standard Arial Font	GR	Green
		35K	3500K					20	Special Font (Text only)	BL	Blue
		40K	4000K							AM	Amber
		RD	Red							YL	Yellow
		GR	Green							WH	White (60K)
		BL	Blue								
		AM	Amber								

(1) 29V DC transformer by others for powered recliner seating.

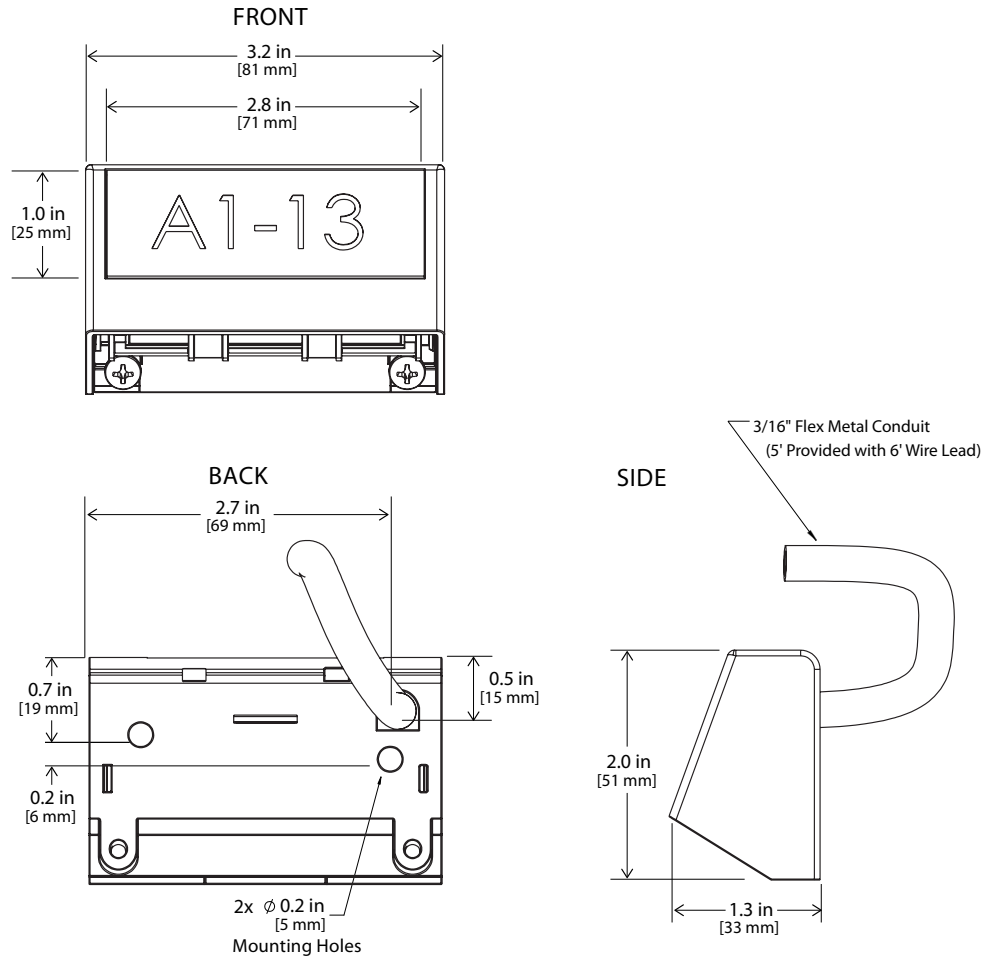
SYSTEM INTEGRATION ACCESSORIES

POWER SUPPLIES	
PWR-T010012/2	120V AC Input, 12V AC Output, 100W, 2 Circuit, Class II Magnetic Transformer, NEMA 3R Case
PWR-T015012/2	120V AC Input, 12V AC Output, 150W, 3 Circuit, Class II Magnetic Transformer, NEMA 3R Case
PWR-T025012/2	120V AC Input, 12V AC Output, 250W, 4 Circuit, Class II Magnetic Transformer, NEMA 3R Case
SURGE SUPPRESSION DEVICE Tempco furnished surge suppression device must be installed on each supplying branch circuit to comply with warranty terms.	
SSD-120	120V Branch Circuit
SSD-277	277V Branch Circuit
MOUNTING HARDWARE Required for each Seat Light	
3400-HARDWARE	Seat Light I & II Hardware Kit (One required for each Seat Light)

Sentinel™ Seat Light II

AISLE & STEP LIGHTING WITH BACK-LIT ROW MARKER

DIMENSIONAL INFORMATION



Tempo products and technologies are protected under one or more US and International patents.

Tempo reserves the right to change materials or modify the design of its product without notification as part of the company's continuing product improvement program. Please consult www.tempolc.com for the most up-to-date specifications and technical data.