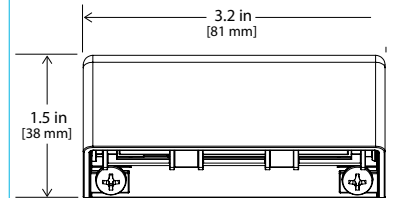


Sentinel™ Seat Light I

AISLE & STEP LIGHTING



With optional row marker



APPLICATION

Tempo's Sentinel Seat Light I is a low voltage, class 2 LED step and aisle lighting luminaire that utilizes lighting class LED's to provide broad and uniform lighting distribution from low mounting heights. The Seat Light I is ideal for center aisles and stairways in cinemas, theaters and auditoriums where an adjacent wall at end of row is not available for wall mounted luminaires.

Seat Light I can also direct patrons with the optional row marker panel mounted directly under light fixture.

CONSTRUCTION

- Rugged die cast aluminum housing
- Optional row marker/graphics panel
- Impact and vandal resistant
- Easily replaceable LED modules
- Low Voltage – Class 2 wiring
- 18 AWG wire leads (6ft) jacketed with 3/16" flex metal conduit (5ft)

POWER SYSTEM

- Remote, Class II magnetic transformer, 120V AC input, 12V AC output
- 29V DC option available for powered recliner seating with 29V DC power.

PERFORMANCE

- Less than 0.5 watts energy consumption
- Exceeds life safety code levels for performance environments
- Dimmable with compatible transformers
- Operating temperature range of -20°C to 50°C

LIGHT CHARACTERISTICS

- Available in 2200K, 2700K, 3500K, 4000K plus Red, Green, Blue and Amber.
- 80+ Color Rendering Index (CRI)



Buy Tempo
Buy American

MADE IN USA
OF US AND IMPORTED COMPONENTS

WARRANTY

Tempo provides a 2-year limited warranty. A 5-year limited warranty will apply when installed by a Tempo Certified Installer.

86,000 HOURS

L85 LUMEN MAINTENANCE
LED Luminaires will reach 85% of initial lumen output at or beyond 86,000 hours at 25°C.



COMPANION PRODUCTS

Guardian Step Nose
LPS® Step Nose & Raceway

Sentinel™ Seat Light I

AISLE & STEP LIGHTING

ORDERING INFORMATION

Example: 3401-BK-27K-12

Seat Light I, Black, 2700K, 12VAC

3401	BK		
PLATFORM			
Series	Metal Finish	Color Temperature	Voltage
3401 Seat Light I	BK Black Anodized	22K 2200K 27K 2700K 35K 3500K 40K 4000K RD Red GR Green BL Blue AM Amber	12 12V AC 29¹ 29V DC



(1) 29V DC transformer by others for powered recliner seating.

OPTIONAL ROW MARKET/ GRAPHICS PANEL

3401GP	BK		
PLATFORM			
Series	Metal Finish	Graphics Plate Color	Plate Graphics
3401GP Seat Light I Graphics Panel	BK Black	BK Black Anodized	100 Standard Arial Font 200 Special Font (Text only)



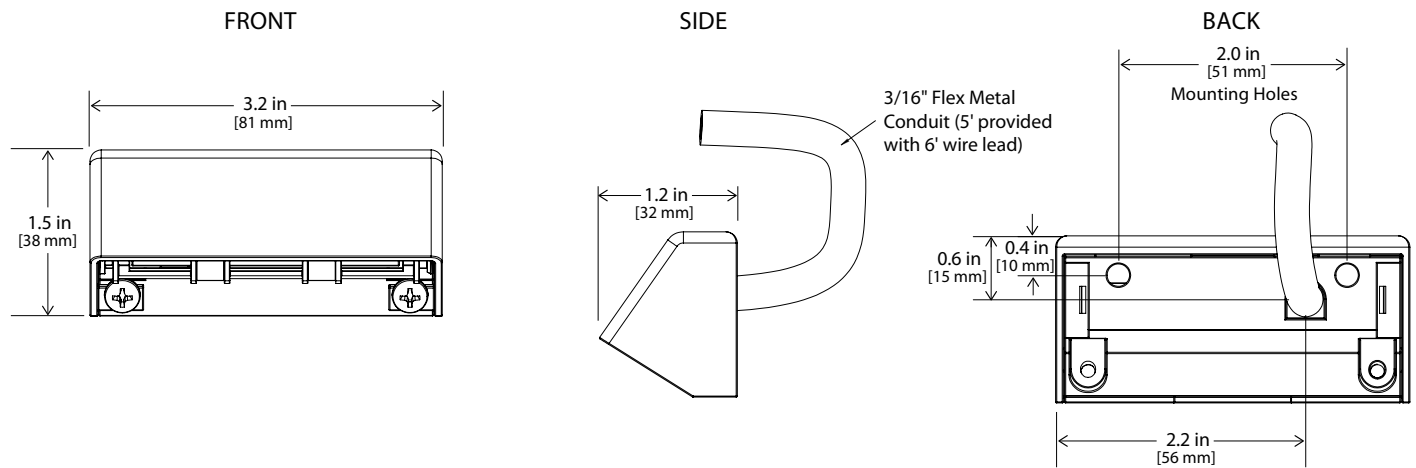
SYSTEM INTEGRATION ACCESSORIES

POWER SUPPLIES	
PWR-T010012/2	120V AC Input, 12V AC Output, 100W, 2 Circuit, Class II Magnetic Transformer, NEMA 3R Case
PWR-T015012/2	120V AC Input, 12V AC Output, 150W, 3 Circuit, Class II Magnetic Transformer, NEMA 3R Case
PWR-T025012/2	120V AC Input, 12V AC Output, 250W, 4 Circuit, Class II Magnetic Transformer, NEMA 3R Case
SURGE SUPPRESSION DEVICE Tempo furnished surge suppression device must be installed on each supplying branch circuit to comply with warranty terms.	
SSD-120	120V Branch Circuit
SSD-277	277V Branch Circuit
MOUNTING HARDWARE Required for each Seat Light	
3400-HARDWARE	Seat Light I & II Hardware Kit (One required for each Seat Light)

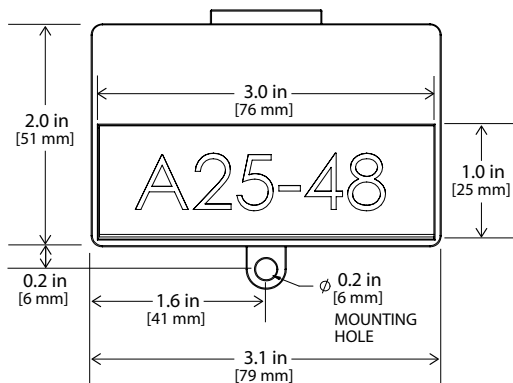
Sentinel™ Seat Light I

aisle & step lighting

DIMENSIONAL INFORMATION



OPTIONAL ROW MARKER/GRAPHICS PANEL



Tempo products and technologies are protected under one or more US and International patents.

Tempo reserves the right to change materials or modify the design of its product without notification as part of the company's continuing product improvement program. Please consult www.tempolc.com for the most up-to-date specifications and technical data.