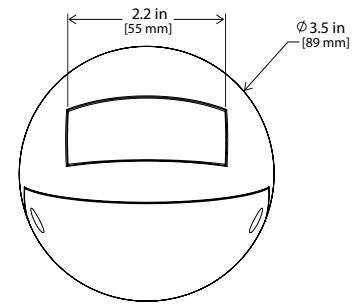


# RSL - Round Seat Light

aisle & step lighting, optional back-lit row marker



Buy Tempo  
Buy American

MADE IN USA  
OF US AND IMPORTED COMPONENTS

**WARRANTY**  
Tempo provides a 2-year limited warranty. A 5-year limited warranty will apply when installed by a Tempo Certified Installer.

**86,000 HOURS**  
**L85 LUMEN MAINTENANCE**  
LED Luminaires will reach 85% of initial lumen output at or beyond 86,000 hours at 25°C.



**COMPANION PRODUCTS**

Guardian Step Nose  
LPS® Step Nose & Raceway

**APPLICATION**

The RSL Series is a low voltage, Class 2, LED step and aisle lighting luminaire inside an aesthetically pleasing dome design. Ideal for center aisles and stairways in cinemas, theaters and auditoriums where an adjacent wall at end of row is not available for wall mounted luminaires. Provides a wide and uniform distribution of light over paths of egress from a low mounting height.

RSL2 directs patrons with the addition of an integrated back-lit row marker/graphics panel in red, green, blue, amber or yellow.

**CONSTRUCTION**

- Rugged die cast aluminum housing
- Thick protective polycarbonate lens
- Impact and vandal resistant
- Easily replaceable LED modules
- Low Voltage – Class 2 wiring
- 18 AWG wire leads (6ft) jacketed with 3/16" flex metal conduit (5ft)

**OPTICS / LENS / DIFFUSER**

- Optional baffle for increased cut-off, recommended when installed on stairs or tiered levels to minimize glare.
- RSL2 incorporates an illuminated row marker/graphics panel

**POWER SYSTEM**

- Remote, Class II magnetic transformer, 120V AC input, 12V AC output.
- 29V DC option available for powered recliner seating with 29V DC power.

**PERFORMANCE**

- Dimmable with compatible transformers
- RSL1 - Less than 0.5 watts energy consumption
- RSL2 - Less than 0.75 watts energy consumption
- Exceeds life safety code levels for performance environments
- Operating temperature range of -20°C to 50°C

**LIGHT CHARACTERISTICS**

- Available in 2200K, 2700K, 3500K, 4000K plus Red, Green, Blue and Amber.
- 80+ Color Rendering Index (CRI)



## RSL - Round Seat Light

aisle & step lighting, optional back-lit row marker

### ORDERING INFORMATION

#### RSL 1

Example: RSL1-BK-27K-B-CL-12

RSL1, Black, 2700K, Baffle, Clear Lens, 12V AC



RSL1	BK			CL		
PLATFORM						
Series	Metal Finish	Color Temperature		Baffle	Lens	Voltage
RSL1 Round Seat/ Path Light	BK Black Anodized	22K	2200K	N None B' Baffle	CL Clear Lens	12 12V AC
		27K	2700K			29 <sup>2</sup> 29V DC
		35K	3500K			
		40K	4000K			
		RD	Red			
		GR	Green			
		BL	Blue			
		AM	Amber			

(1) Baffle recommended when installed on steps or tiered levels to minimize glare.

(2) 29V DC transformer by others for powered recliner seating.

#### RSL 2 (with back-lit row marker/graphic)

Example: RSL2-BK-27K-B-CL-12-BK-10-BL

RSL2, Black, 2700K, Baffle, Clear Lens, 12V AC, BK Plate, Standard Font Graphic - Blue



RSL2	BK								
PLATFORM									
Series	Metal Finish	Color Temperature <sup>1</sup>		Baffle	Lens	Voltage	Graphics Plate	Plate Graphics	Graphic LED Color
RSL2 Round Seat/ Path Light with Row Marker	BK Black Anodized	22K	2200K	N None B' Baffle	CL Clear Lens	12 12V AC 29 <sup>2</sup> 29V AC	BK Black	10 Standard Arial Font 20 Special Font	RD Red
		27K	2700K						GR Green
		35K	3500K						BL Blue
		40K	4000K						AM Amber
		RD	Red						YL Yellow
		GR	Green						WH White (60K)
		BL	Blue						
		AM	Amber						

(1) Baffle recommended when installed on steps or tiered levels to minimize glare.

(2) 29V DC transformer by others for powered recliner seating.

### SYSTEM INTEGRATION ACCESSORIES

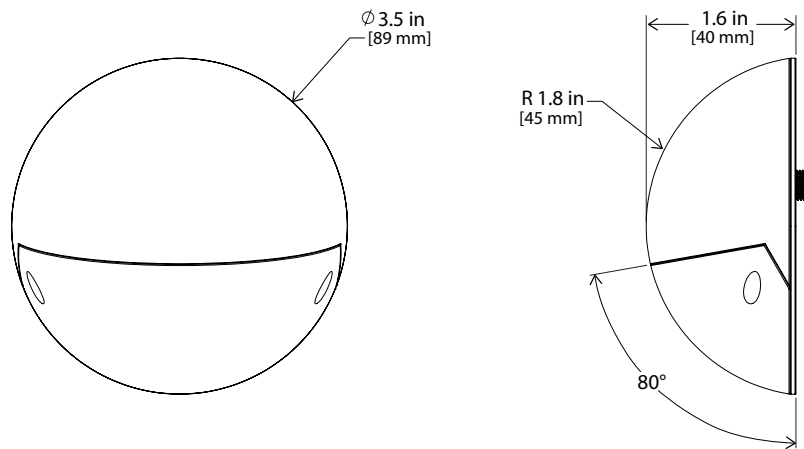
POWER SUPPLIES	
PWR-T010012/2	120V AC Input, 12V AC Output, 100W, 2 Circuit, Class II Magnetic Transformer, NEMA 3R Case
PWR-T015012/2	120V AC Input, 12V AC Output, 150W, 3 Circuit, Class II Magnetic Transformer, NEMA 3R Case
PWR-T025012/2	120V AC Input, 12V AC Output, 250W, 4 Circuit, Class II Magnetic Transformer, NEMA 3R Case
SURGE SUPPRESSION DEVICE Tempo furnished surge suppression device must be installed on each supplying branch circuit to comply with warranty terms.	
SSD-120	120V Branch Circuit
SSD-277	277V Branch Circuit

## RSL - Round Seat Light

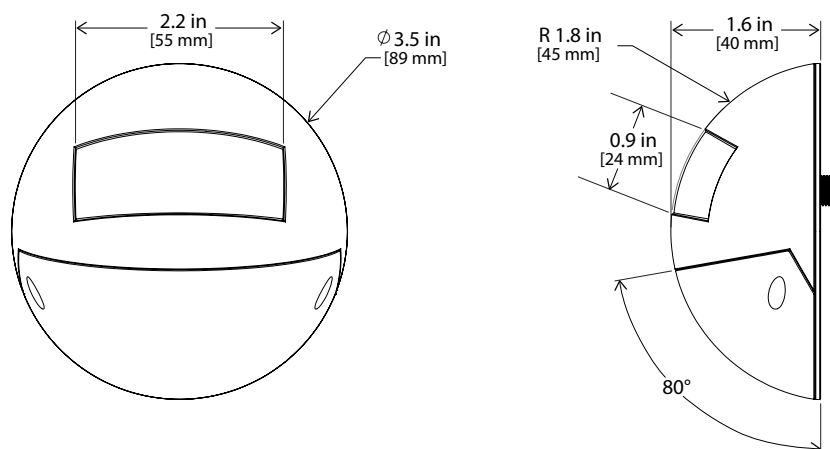
AISLE & STEP LIGHTING, OPTIONAL BACK-LIT ROW MARKER

### DIMENSIONAL INFORMATION

RSL 1



RSL 2 with back-lit Row Marker



Tempo products and technologies are protected under one or more US and International patents.

Tempo reserves the right to change materials or modify the design of its product without notification as part of the company's continuing product improvement program. Please consult [www.tempolc.com](http://www.tempolc.com) for the most up-to-date specifications and technical data.