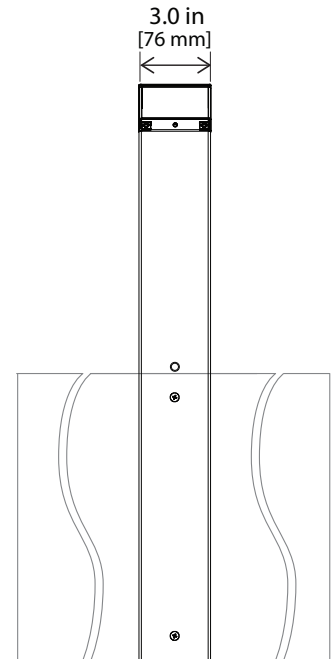


Sentinel™ Post Light

INDUSTRIAL GRADE POST



APPLICATION

Tempo's Post Light is a low voltage, class 2, LED based pathway and step lighting luminaire that incorporates a compact LED down-light assembly mounted to an industrial strength post. The Post Light is perfect for live performance auditoriums, cinemas and a wide variety of commercial and institutional applications. Utilizing high output, low energy consuming LED's, the Post Light offers years of maintenance free service.

Post Light mounts directly to riser/landing with HILTI® bolts. Consult factory for custom mounting bases for floor mount.

CONSTRUCTION

- Post constructed of industrial grade .167" thick steel
- Luminaire housing constructed of die cast aluminum
- Mounts to step risers with HILTI® bolts (provided by Tempo) and has a hollow core that accommodates wire runs
- Easily replaceable LED modules

POWER SYSTEM

- Utilizes remote, Class II low-voltage 12V AC power supply
- Dimmable with compatible transformers and dimmers

PERFORMANCE

- Shielded light source remove glare.
- Standard <0.5 watts energy consumption per LED module
- Operating temperature range of -20°C to 50°C

LIGHT CHARACTERISTICS

- Available in 2200K, 2700K, 3000K, 3500K, plus Red, Green, Blue and Amber.
- 80+ Color Rendering Index (CRI)

NOTE:

- Non-stocking item. Consult factory for lead time and minimum order quantities.

Buy Tempo
Buy American

MADE IN
USA 
OF US AND IMPORTED COMPONENTS

WARRANTY

Tempo provides a 2-year limited warranty.

A 5-year limited warranty will apply when installed by a Tempo Certified Installer.

86,000 HOURS

L85 LUMEN MAINTENANCE

LED Luminaires will reach 85% of initial lumen output at or beyond 86,000 hours at 25°C.



Sentinel™ Post Light

INDUSTRIAL GRADE POST

ORDERING INFORMATION

Example: SL1-PL16BK-22K

Post Light, 16" Height, Black Anodized Finish, 2200K

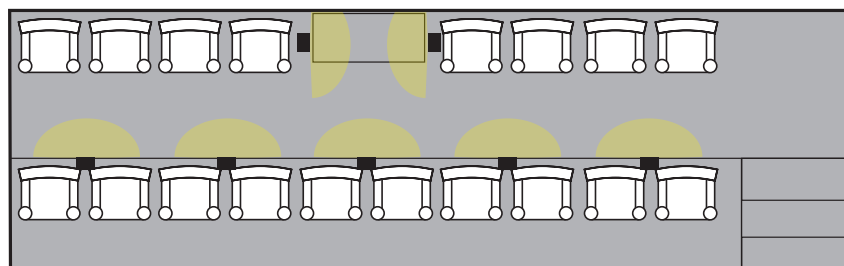
SL1					
PLATFORM					
Series	Assembly	Post Height ¹	Metal Finish	LED Colors	
SL1 Sentinel	PL Post Light	16 16" 18 18" 24 24"	BK Black Anodized	22K 2200K 27K 2700K 30K 3000K 35K 3500K RD Red GR Green BL Blue AM Amber	

(1) Select total post height based on riser height - see dimensional information. Recommended Luminaire height is 12" above surface to be illuminated.

SYSTEM INTEGRATION ACCESSORIES

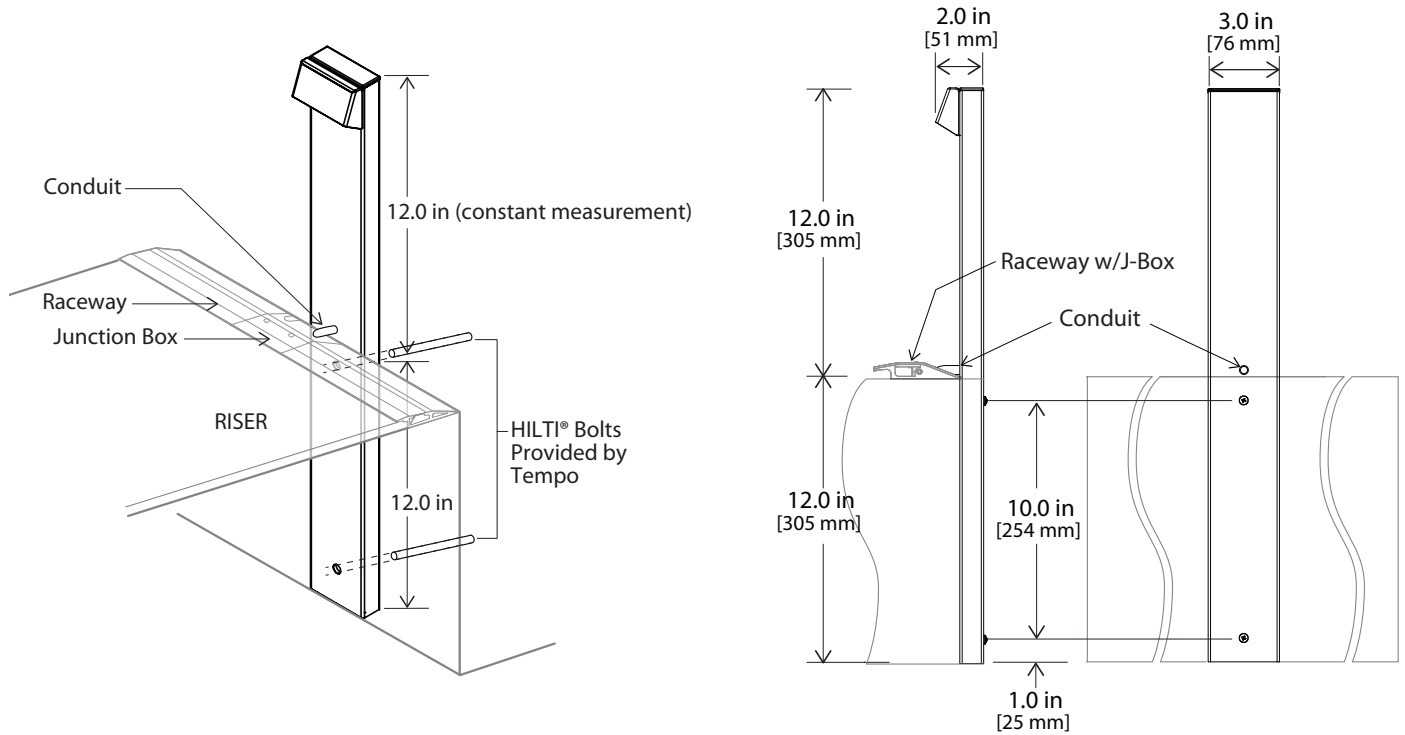
POWER SUPPLIES		
PWR-T010012/2	120V AC Input, 12V AC Output, 100W, 2 Circuit, Class II Magnetic Transformer, NEMA 3R Case	
PWR-T015012/2	120V AC Input, 12V AC Output, 150W, 3 Circuit, Class II Magnetic Transformer, NEMA 3R Case	
PWR-T025012/2	120V AC Input, 12V AC Output, 250W, 4 Circuit, Class II Magnetic Transformer, NEMA 3R Case	
SURGE SUPPRESSION DEVICE		
Tempo furnished surge suppression device must be installed on each supplying branch circuit to comply with warranty terms.		
SSD-120	120V Branch Circuit	
SSD-277	277V Branch Circuit	

TYPICAL APPLICATION



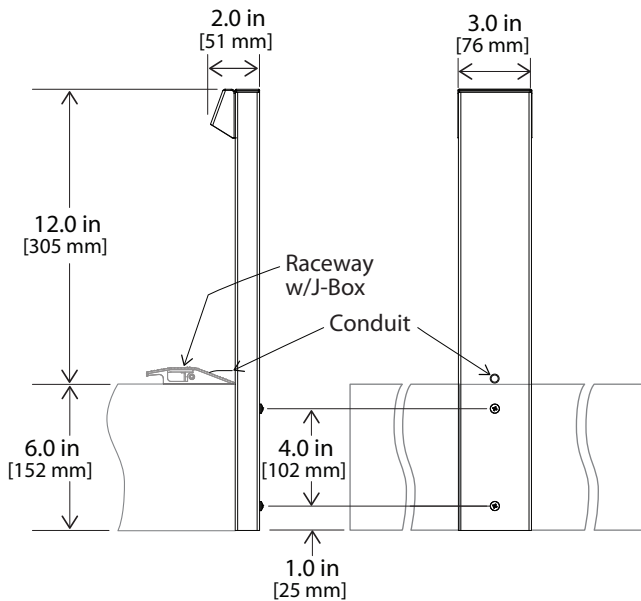
DIMENSIONAL INFORMATION SL1-PL-24

24" Post Height



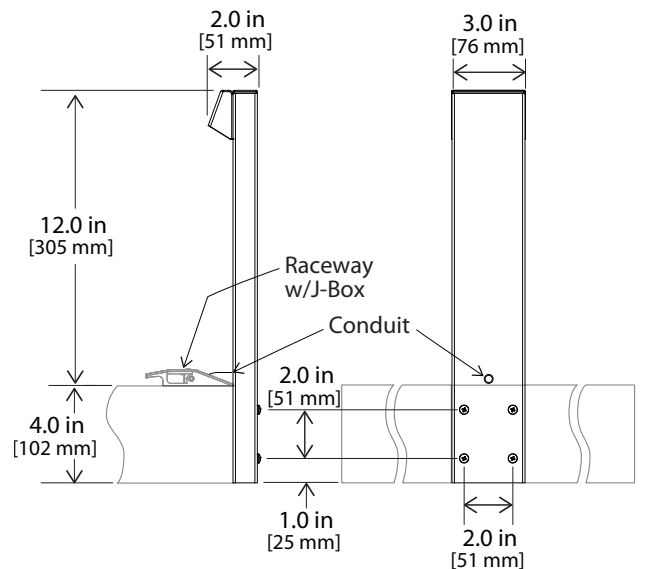
DIMENSIONAL INFORMATION SL1-PL-18

18" Post Height



DIMENSIONAL INFORMATION SL1-PL-16

16" Post Height



Tempo products and technologies are protected under one or more US and International patents.

Tempo reserves the right to change materials or modify the design of its product without notification as part of the company's continuing product improvement program. Please consult www.tempolc.com for the most up-to-date specifications and technical data.