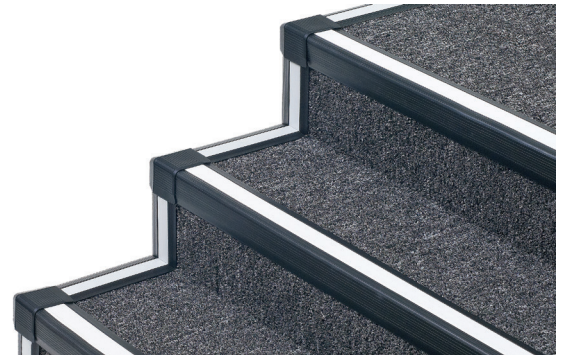


LPS® System

LOW PROFILE STEP NOSE, AISLE AND RACEWAY



APPLICATION

Designed to be a complete solution for theaters and auditoriums, LPS provides delineation of steps, walkways and aisles. LPS is a complete low cost system for safety delineation plus carpet trim and low voltage electrical cable routing.

Features solid black design with a 1" nominal contrasting gray stripe to help delineate the stair step edges. The companion LPS Raceway provides delineation of walkways or aisles. In addition, LPS Raceway provides a clean transition from carpeted to uncarpeted areas on flat or sloped surfaces with the added functionality of providing a code compliant, low voltage wire way to power safety and marker lighting.

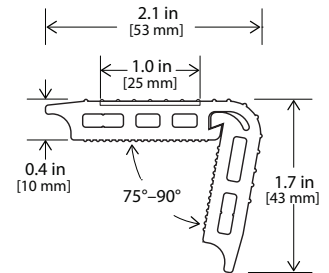
LPS Raceway also available with Tempo's Guardian series of LED step nose and aisle lighting.

CONSTRUCTION

- Made from a durable, flexible extruded vinyl
- Black with 1 inch contrasting gray stripe on tread
- Step Nose incorporates a "living hinge" to allow installation securely on steps with riser angles of 75° to 90°
- Step Nose End Caps are mechanically attached for secure installation and durability
- Optional junction boxes designed to integrate into a complete step and aisle lighting solution with other Tempo products

PERFORMANCE

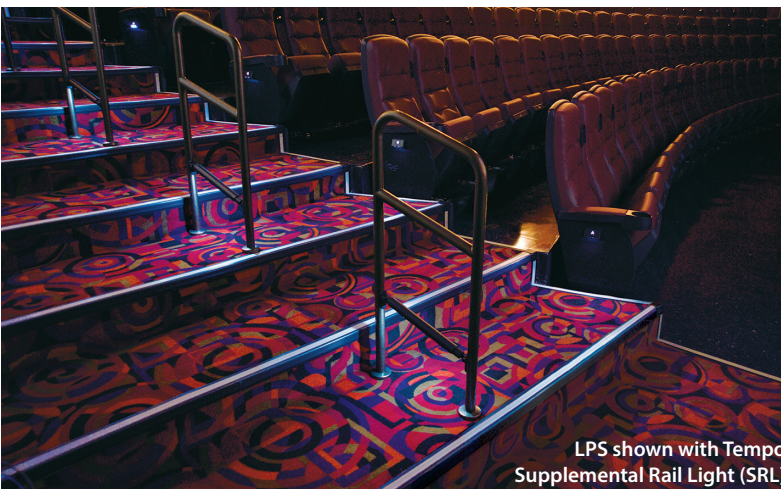
- Extremely durable and flexible vinyl extrusions conform to uneven surfaces
- Low profile design engineered to work with most commercial low pile carpets up to 3/8" thickness
- Eliminates potential hazards associated with hard PVC or aluminum extrusions
- Raceway for use with Class 2 power systems only



Buy Tempo
Buy American



WARRANTY
Tempo provides a 2-year limited warranty.



LPS shown with Tempo Supplemental Rail Light (SRL)

COMPANION PRODUCTS

- SWIII Wall Light
- Vanguard Illuminated Displays
- Seat Light I or II and Round Seat Light
- Supplemental Rail Light (SRL)
- Guardian Step Nose & Aisle Lighting

LPS[®] System

LOW PROFILE STEP NOSE, AISLE AND RACEWAY

STEP NOSE ORDERING INFORMATION

LPS		
PLATFORM		
Series	Extrusion Color	Length
LPS LPS Step Nose	GS Black with Gray Stripe	24 24"
		36 36"
		42 42"
		48 48"
		54 54"
		60 60"
		66 66"
		72 72"
		78 78"
		84 84"
90 90"		
96 96"		

AISLE/RACEWAY ORDERING INFORMATION

LPS-BK-RW-CF-B	LPS Raceway Base, Black, Carpet to Floor, shipped in increments of 8ft
LPS-BK-RW-CC-B	LPS Raceway Base, Black, Carpet to Carpet, shipped in increments of 8ft
LPS-BK-RW-CV-B	LPS Raceway Base, Black, Carpet to VCT/LVT floor covering, shipped in increments of 8ft
LPS-GY-RW-C	LPS Raceway Cover, Gray, 8ft
LPS-BK-RW-C	LPS Raceway Cover, Black, 8ft
LPS-BK-RW-RSR	LPS Raceway for Riser face, 8 inch length, pre-cut to fit Tread Raceway (field cut 90° to fit into left or right end cap)



LPS Raceway, Black base with Black cover.
Shown with Vanguard Flush Raceway Mount Illuminated Display
See Vanguard Spec Sheets for details

LPS[®] System

LOW PROFILE STEP NOSE, AISLE AND RACEWAY

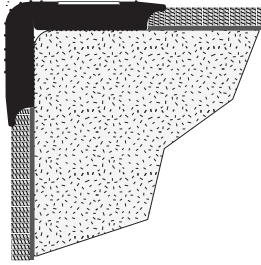
SYSTEM INTEGRATION ACCESSORIES

ADHESIVE - Must be purchased from Tempo. 1 tube per 10 ft. of step nose or 50 ft. of raceway.		
Adhesive provided is a special formulation designed and tested to ensure Tempo Step and Aisle product is safe and secure.		
	ADH-BOND-S	Tempo Set & Step Adhesive, 20 Ounce Sausage Pack
	ADH-SPREADER	Adhesive Spreader
STEP NOSE END CAPS		
	LPS-BK-EC2-L	LPS Endcap for Carpet Edging (no raceway), Black, Left
	LPS-BK-EC2-R	LPS Endcap for Carpet Edging (no raceway), Black, Right
	LPS-BK-EC-L	LPS Endcap molded for insertion of LPS Raceway, Black, Left
	LPS-BK-EC-R	LPS Endcap molded for insertion of LPS Raceway, Black, Right
RACEWAY J-BOX		
	LPS-BK-JBX	LPS Junction Box, Black
	LPS-BK-RW-JBX	LPS Inline Raceway Junction Box, Black
WIRING		
	WIR-18TWIST-B/B	Low Voltage Lead Wire - Twisted Pair. Provided in 500 foot rolls.
MISC		
	LPS-BK-SR	Step Reducer. Use to fill carpet slot of step nose and provide smooth transition to non-carpeted floor. 120ft roll.
	LPS-BK-CFE	Carpet Flap Extension. Use to extend width of Step Nose if carpet cut too short. Black, 120ft roll
	LPS-BK-CFE-CUT	LPS Carpet Flap Extension, Black, Custom Cut Length, minimum 30ft roll - Consult factory for details

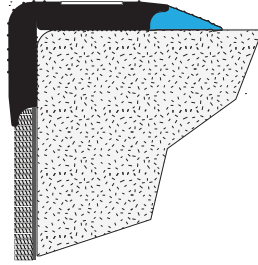
LPS[®] System

LOW PROFILE STEP NOSE, AISLE AND RACEWAY

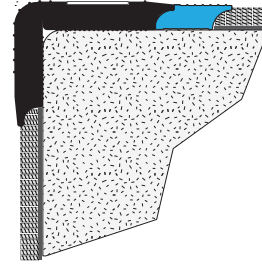
SYSTEM INTEGRATION DETAILS



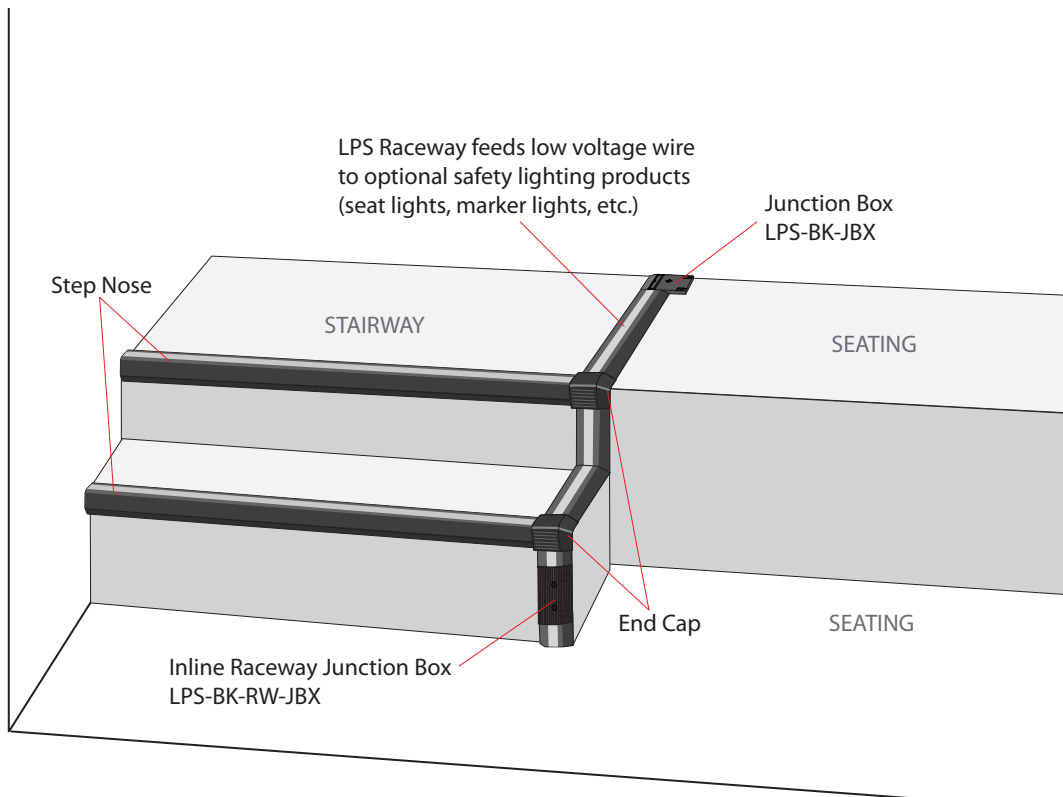
1/4" to 3/8" Carpet tucks into LPS Step Nose on both Tread and Riser



Step Reducer (LPS-BK-SR) used for transitions to bare floor



Carpet Flap Extension (LPS-BK-CFE) increases width of LPS Step Nose

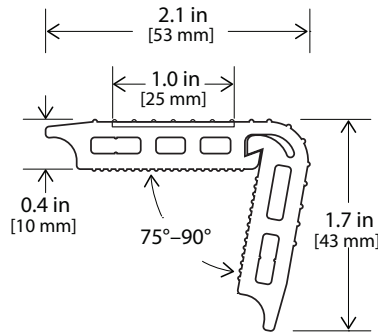


LPS[®] System

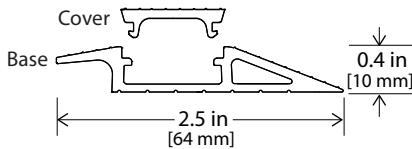
LOW PROFILE STEP NOSE, AISLE AND RACEWAY

DIMENSIONAL INFORMATION

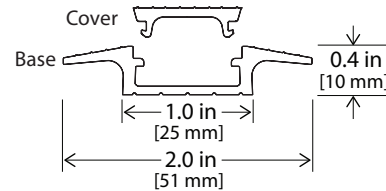
LPS STEP NOSE (LPS-GY-XXX / LPS-GS-XXX)



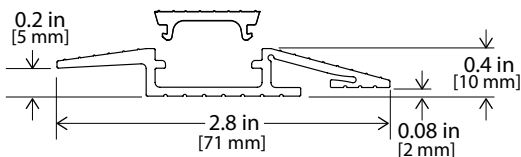
RACEWAY CARPET TO FLOOR BASE (LPS-BK-RW-CF-B)
RACEWAY COVER (LPS-[GY/BK]-RW-C)



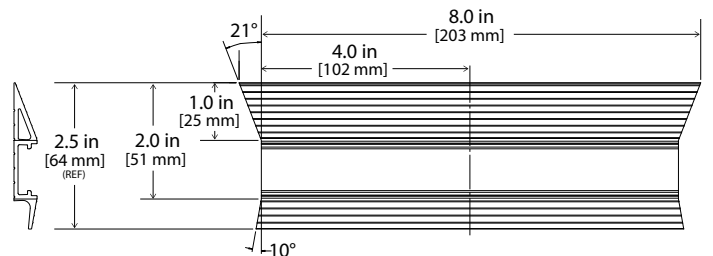
RACEWAY CARPET TO CARPET BASE (LPS-BK-RW-CC-B)
RACEWAY COVER (LPS-[GY/BK]-RW-C)



RACEWAY CARPET TO VCT/LVT BASE (LPS-BK-RW-CV-B)
RACEWAY COVER (LPS-[GY/BK]-RW-C)



RACEWAY RISER (LPS-BK-RW-RSR)
Square cut one end to fit into left or right end cap

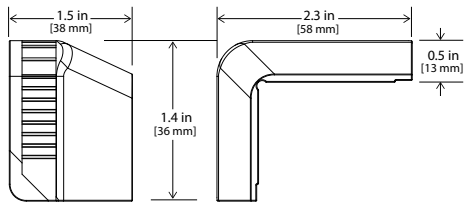


LPS[®] System

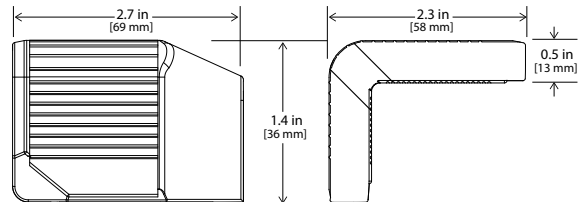
LOW PROFILE STEP NOSE, AISLE AND RACEWAY

DIMENSIONAL INFORMATION

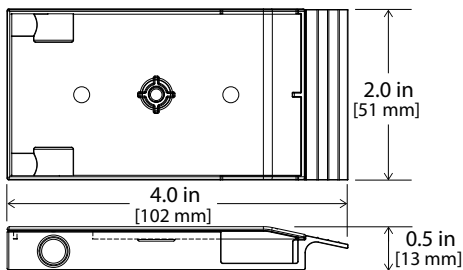
LPS Step Nose End Cap for Carpet Edge (no raceway)
(LPS-BK-EC2-L or R)



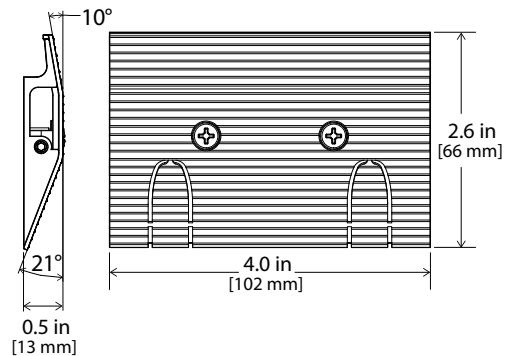
LPS Step Nose End Cap for use with Raceway
(LPS-BK-EC-L or R or LPS-GY-EC-L or R)



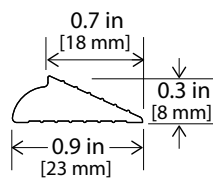
JUNCTION BOX (LPS-BK-JBX)



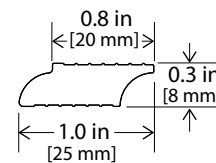
INLINE RACEWAY JUNCTION BOX (LPS-BK-RW-JBX)



STEP REDUCER (LPS-BK-SR)



CARPET FLAP EXTENSION (LPS-BK-CFE)



APPLICATION

Set&Step™ is a one component, fast grab adhesive designed to secure Tempo floor safety products. The multipurpose elastomeric sealant has high green strength for quick adhesion. When fully cured, this unique VOC compliant formula offers UV stability and a steadfast bond to concrete, wood, metal, painted surfaces, and many other common substrates.

FEATURES & BENEFITS

- Alternative to mechanical fastening
- Black material color to match Tempo products
- High green strength/elastic with fast cure
- Flexible & durable, will not shrink or crack
- Can be sanded & painted
- Adhesion to Kynar[®]
- Odorless & non-corrosive
- VOC compliant
- Contains no solvents or Isocyanates
- Color stability and UV resistant (ASTM G26)
- Non-yellowing/staining
- Resistant to most chemicals

PRODUCT USAGE

- LPS Step Nose (24' per sausage pack)
- LPS Raceway (50' per sausage pack)
- Guardian Step Nose (16' per sausage pack)
- Guardian Aisle CC (60' per sausage pack)
- Guardian Aisle CF (50' per sausage pack)

MEETS SPECIFICATIONS

ASTM C920 Type S, Grade NS, Class 25, Use NT, A, M

PHYSICAL PROPERTIES		TEST METHOD
Cure System	Hybrid, Moisture Cure	
Movement Capability, %	± 25%	ASTM C-719
Modulus	Medium	ASTM D-412
Physical Properties (Cured)	Rubber	
Specific Gravity	1.55	
Extrusion Rate, g/min.	100	ASTM C-1183
1/8" orifice @ 50 psi		Modified
Temperature Range	-75° F to 225° F	
Intermittent Temperature Range	250° F	
Accelerated Weathering (10,000 hrs.)	No Change	AUV Weatherometer
Skin Over Time (min)*	20	MNA Method
Tack Over Time (min)*	35	ASTM C-679
Cure Rate*	1/8" per 24hrs.	MNA Method
Tensile Strength (psi)	287	ASTM D-412
Elongation %	250	ASTM D-412
Durometer Shore A	55	ASTM C-661
Shelf Life (months)	18	
Volatile Organic Content	> 26 gr./litre	

* All properties derived from lab conditions (77°F at 50% relative humidity). Test results are averages obtained under laboratory conditions. Reasonable variations can be expected.

P/N: ADH-BOND-S



Tempo products and technologies are protected under one or more US and International patents.

Tempo reserves the right to change materials or modify the design of its product without notification as part of the company's continuing product improvement program. Please consult www.tempollc.com for the most up-to-date specifications and technical data.