

HLS Cross-Aisle

CEILING MOUNT, 2-CIRCUIT
REMOTE POWER SUPPLY



APPLICATION

This revolutionary lighting system reduces or completely removes safety lighting products and wiring from the heavily trafficked floor environment. An extension of the multi functional House Lighting System (HLS) the HLS Cross-Aisle delivers a targeted, narrow beam of illumination designed for cross aisles, stairs, walkways and landings. Precision optics paired with collimating slot micro-baffles and shields create a confined pathway of light with no visible source reference. Surface mounted with adjustable T-Bar ceiling mount clips allows for straight or curved illumination patterns.

The Cross-Aisle/Stair option (Attribute A) utilizes a 4ft wide beam spread that can be installed in succession to provide continuous, even light along cross-aisles or stairs.

The Landing option (Attribute B) utilizes a 3x5 foot or 3x3 foot beam pattern to provide a targeted block of illumination for landings.

Tempo is happy to assist in selecting the ideal optical configuration for your application based on layout and ceiling height. Contact customer service for details.

CONSTRUCTION

- Extruded aluminum channel
- Thermally optimized die-cast aluminum heat sink
- Plug and play connectors for simplified installation
- CSA damp location listed
- 2 circuit design can connect to standard HLS system & provide for longer runs.

OPTICS / LENS / DIFFUSER

- Precision optics paired with a collimating slot and micro-baffles configured for the mounting height
- Side shield options provides complete light block for auditorium applications

POWER SYSTEM

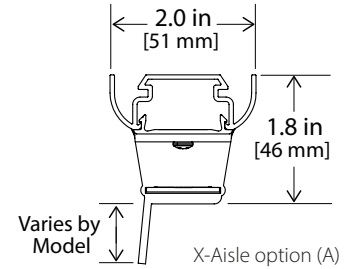
- Utilizes a remote, low voltage DC power supply (24V, 120V input)
- Triac dimming (100-1%)

PERFORMANCE

- 12W per fixture
- Light output varies by configuration; System will exceed life safety code levels for performance environments
- Operating temperature range of -20°C to 50°C

LIGHT CHARACTERISTICS

- Available in 2200K, 2700K, 3000K, 3500K, 4000K correlated color temperature. Static Red & Blue also available.
- Typical CRI of 80+



Buy Tempo
Buy American

MADE IN
USA
OF US AND IMPORTED COMPONENTS

WARRANTY

Tempo provides a 2-year limited warranty. A 5-year limited warranty will apply when installed by a Tempo Certified Installer.

86,000 HOURS

L85 LUMEN MAINTENANCE
LED Luminaires will reach 85% of initial lumen output at or beyond 86,000 hours at 25°C.



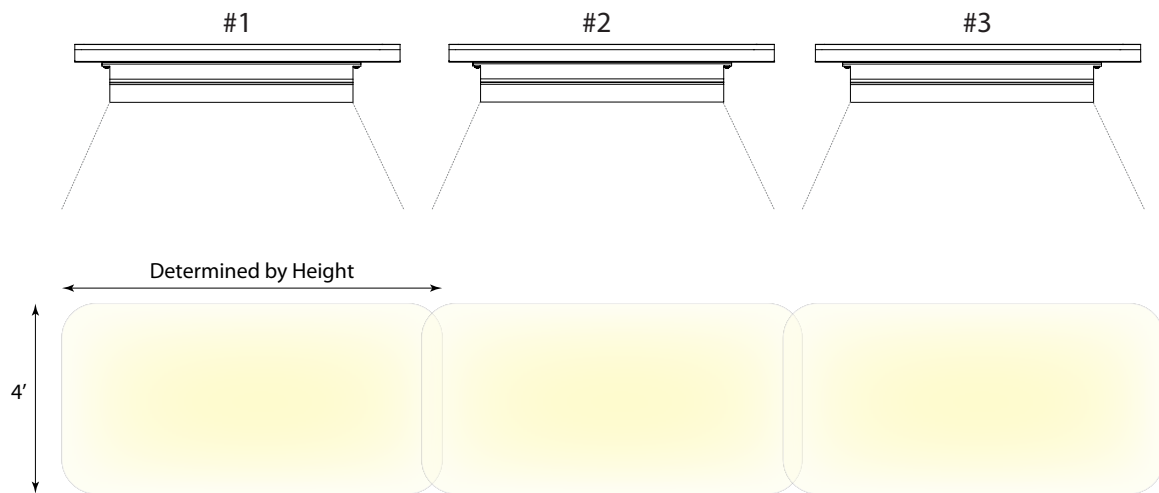
HLS Cross-Aisle

CEILING MOUNT, 2-CIRCUIT

REMOTE POWER SUPPLY

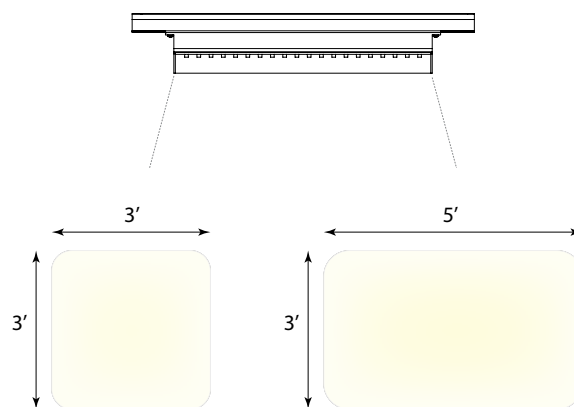
SAMPLE CONFIGURATIONS

CROSS-AISLE/STAIRS BEAM SPREAD (Attribute A) shown with three modules



Beam Spread on Cross Aisle Floor
(Consult factory for exact dimensions based on height & layout)

LANDING BEAM SPREAD (Attribute B)



Beam Pattern on Landing: 3' x 3' or 3' x 5'

HLS Cross-Aisle

CEILING MOUNT, 2-CIRCUIT

REMOTE POWER SUPPLY

ORDERING INFORMATION

Example: **HLS-S-A-6-E30RD-BK**

HLS Cross Aisle, 6ft, 12" Module for 30ft Ceiling, 4ft Beam Width, Red LED, Black finish

HLS	S		6			BK	
PLATFORM				LIGHT MODULE CONFIGURATION			
Series	Mounting	Attribute	Fixture Length	Application		Light Color	Finish
HLS	S Surface Mount T-Bar	A Cross-Aisle/ Stairs 4ft wide beam pattern except where noted	6 6ft	E10 X-Aisle/Stairs Light, 10ft mounting height, nominal 4ft beam	22 2200K 27 2700K 30 3000K 35 3500K 40 4000K RD Red BL Blue	BK Black	
		E15 X-Aisle/Stairs Light, 15ft mounting height, nominal 4ft beam					
E20 X-Aisle/Stairs Light, 20ft mounting height, nominal 4ft beam							
E25 X-Aisle/Stairs Light, 25ft mounting height, nominal 4ft beam							
E30 X-Aisle/Stairs Light, 30ft mounting height, nominal 4ft beam							
E35 X-Aisle/Stairs Light, 35ft mounting height, nominal 4ft beam							
E40 X-Aisle/Stairs Light, 40ft mounting height, nominal 4ft beam							
E45 X-Aisle/Stairs Light, 45ft mounting height, nominal 4ft beam							
E2530 X-Aisle/Stairs Light, 25ft mounting height, 30" beam width							
E3030 X-Aisle/Stairs Light, 30ft mounting height, 30" beam width							
E3530 X-Aisle/Stairs Light, 35ft mounting height, 30" beam width							
B Landing 3ft x 5ft beam pattern or 3ft x 3ft beam pattern	6 6ft	F10 Landing Light, 10ft mounting height, nominal 3ft x 5ft pattern					
F15 Landing Light, 15ft mounting height, nominal 3ft x 5ft pattern							
F20 Landing Light, 20ft mounting height, nominal 3ft x 5ft pattern							
F25 Landing Light, 25ft mounting height, nominal 3ft x 5ft pattern							
F30 Landing Light, 30ft mounting height, nominal 3ft x 5ft pattern							
F35 Landing Light, 35ft mounting height, nominal 3ft x 5ft pattern							
G25 Landing Light, 25ft mounting height, nominal 3ft x 3ft pattern							
G30 Landing Light, 30ft mounting height, nominal 3ft x 3ft pattern							
G35 Landing Light, 35ft mounting height, nominal 3ft x 3ft pattern							

HLS Cross-Aisle

CEILING MOUNT, 2-CIRCUIT

REMOTE POWER SUPPLY

SYSTEM INTEGRATION ACCESSORIES

POWER ENCLOSURE Power Supplies (maximum of 5) in 48" x 4" x 4" Enclosure		
	PWR-ENC - 24/X - 36T/Y -48	X = Quantity of 100W (24V, 120V input) Non-Dimming Power Supplies for Cleaning Light modules (A&C) Y = Quantity of 40W (36V, 120V input) Triac Dimming Power Supplies for House Light modules (B&D) Lutron Hi-lume 1% 2-wire LED driver (120V forward phase) - LTEA2W
WIREWAY		
	HLS2-S-6-WIREWAY-BK	HLS Surface Wireway, 2-Circuit, pre-wired, includes plug and play connectors, 6ft.
MOUNTING HARDWARE		
	HLS4-S-SPLICEBOX-M¹	HLS Surface Splice Box, 4-Circuit ¹ , pre-wired with quick connect connectors, male end feed
	HLS4-S-SPLICEBOX-F¹	HLS Surface Splice Box, 4-Circuit ¹ , pre-wired with quick connect connectors, female end feed
	HLS4-S-PB-BK²	HLS Surface Power Box, 4-Circuit ² , pre-wired with plug and play connector, includes cover plate
	HLS-S-JBOX	HLS Surface J-Box for mounting on continuous T-grid spine. Standard 2-gang j-box (by others) may be used when the power box is located within a tile
	HLS-S-MTGCLIP	HLS Surface Mount T-Bar Clips (QTY 12). Minimum of 2 clips every 6ft section (luminaire or wireway).
	HLS-S-MTGCLIP-EDGE	HLS Surface Mount T-Bar Edge Clips (QTY 12).
	HLS-S-MTGCLIP-SEISMIC	HLS Surface Mount T-Bar Clips (QTY 12) with Seismic Bracing Hanger.
2-CIRCUIT POWER FEED CABLE		
	WIR-16-2BLU/2RED-PR	Plenum rated cable, 16 gauge, 4 wires: 2 Blue / 2 Red, 300ft per reel
	HLS-S-PFC4-F24-180	Power Feed Cable with connector for HLS-S Surface 2-Circuit, 15ft
	HLS-S-PFC4-F24-360	Power Feed Cable with connector for HLS-S Surface 2-Circuit, 30ft
JUMPER FEED CABLE		
	HLS-S-JFC2-FM24-12	Jumper feed cable, female and male connector, 12 inches
	HLS-S-JFC2-FM24-24	Jumper feed cable, female and male connector, 24 inches
	HLS-S-JFC2-FM24-36	Jumper feed cable, female and male connector, 36 inches
SURGE SUPPRESSION DEVICE Tempo furnished surge suppression device must be installed on each supplying branch circuit to comply with warranty terms.		
	SSD-120	120V Branch Circuit
	SSD-277	277V Branch Circuit
POWER INVERTERS Tempo's power inverters supply battery power backup to designated emergency lighting power supplies.		
	PWR-INV-110-120	Power Inverter, 110W, 120V Input/Output
	PWR-INV-225-120	Power Inverter, 225W, 120V Input/Output
	PWR-INV-350-120277	Power Inverter, 350W, UNV Input/120V or 277V Output

NOTES:

- 1) Splice Boxes (HLS4-S-SPLICEBOX-M and HLS4-S-SPLICEBOX-F) are pre-wired for 4-circuit.
For 2-circuit fixtures, make the 2 connections accordingly and leave the 2 remaining connectors as dead ends.
- 2) Power Box (HLS4-S-PB-BK) is pre-wired for 4-circuit.
For 2-circuit fixtures, make the 2 connections accordingly and leave the 2 remaining connectors as dead ends.

HLS Cross-Aisle

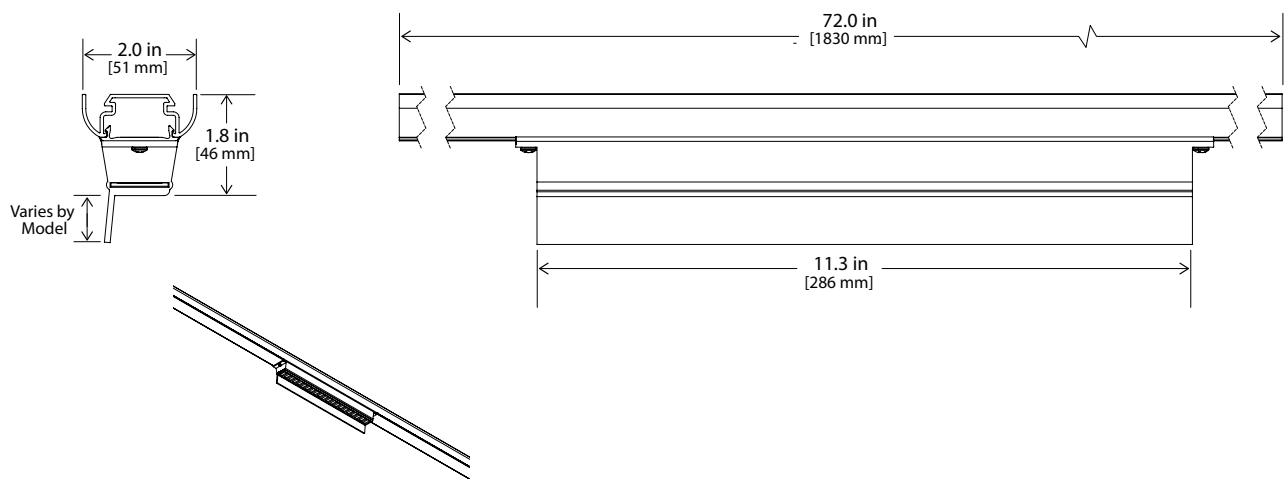
CEILING MOUNT, 2-CIRCUIT

REMOTE POWER SUPPLY

DIMENSIONAL INFORMATION

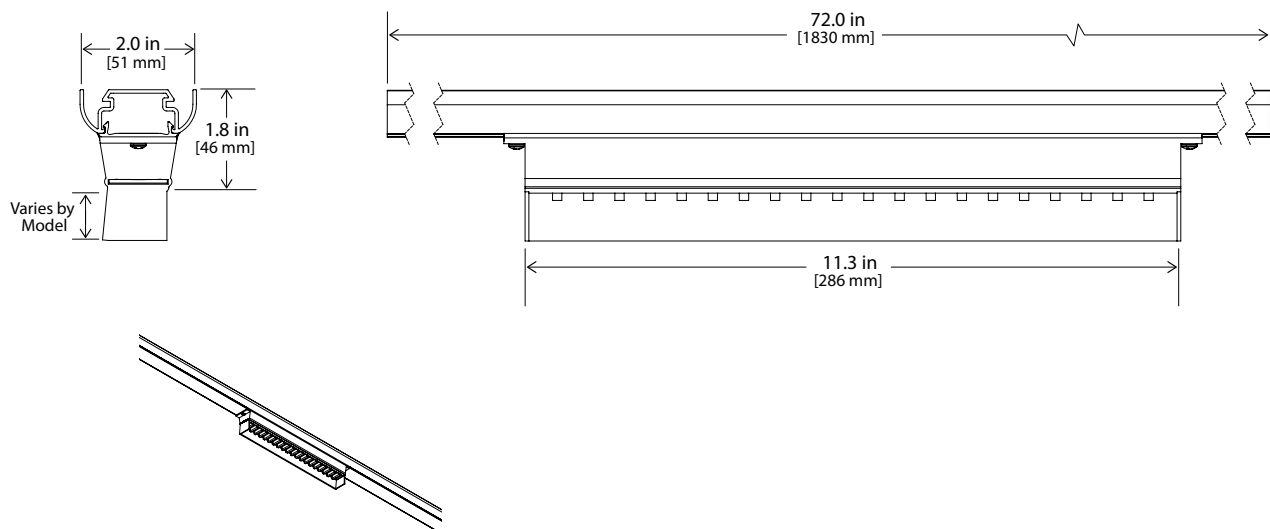
CROSS-AISLE/STAIRS LIGHTING SYSTEM (A)

Includes Side Shielding



LANDING LIGHTING SYSTEM (B)

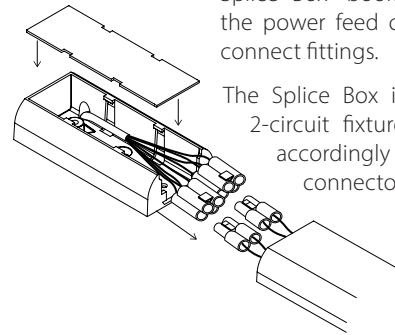
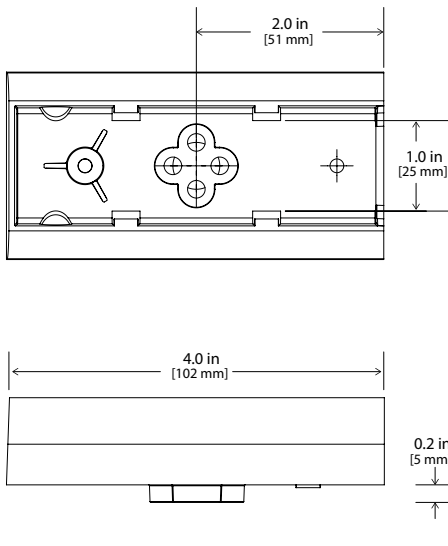
Includes Side Shield & End Shielding



DIMENSIONAL INFORMATION - MOUNTING HARDWARE

SPLICE BOX SYSTEM

HLS4-S-SPLICEBOX-M/F

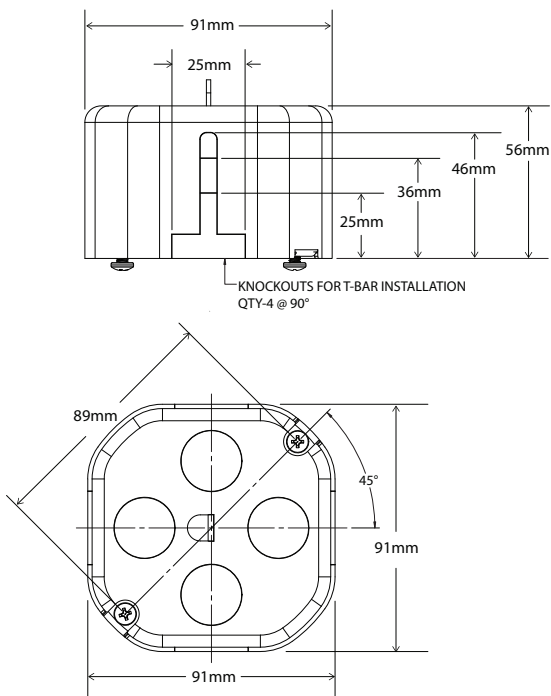


Splice Box “book ends” the HLS fixture with the power feed connections made with quick connect fittings.

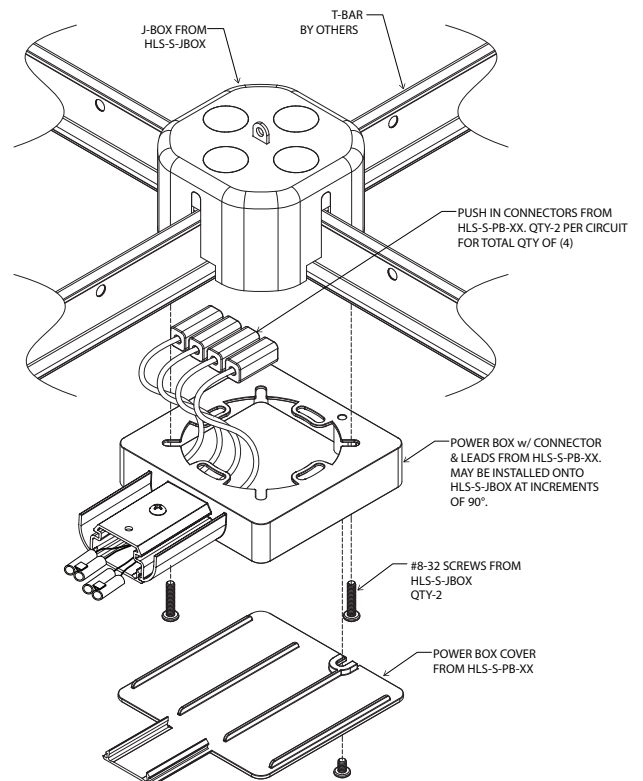
The Splice Box is pre-wired for 4-circuit. For 2-circuit fixtures, make the 2 connections accordingly and leave the 2 remaining connectors as dead ends.

J-BOX SYSTEM

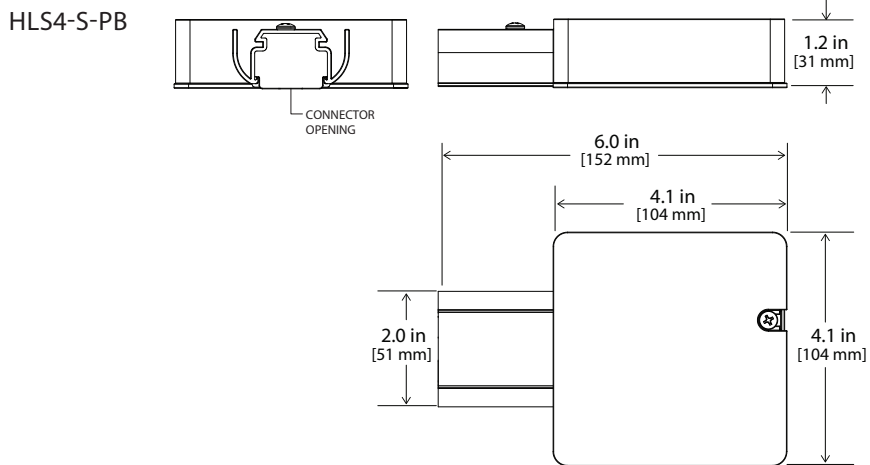
HLS-S-JBOX



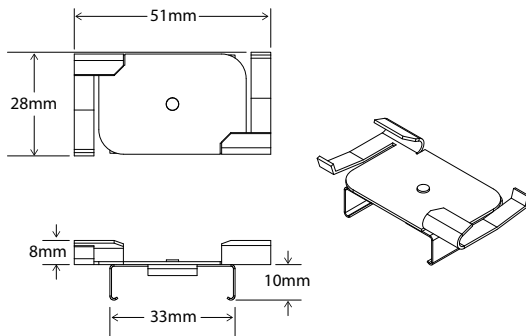
HLS4-S-PB & HLS-S-JBOX ASSEMBLY



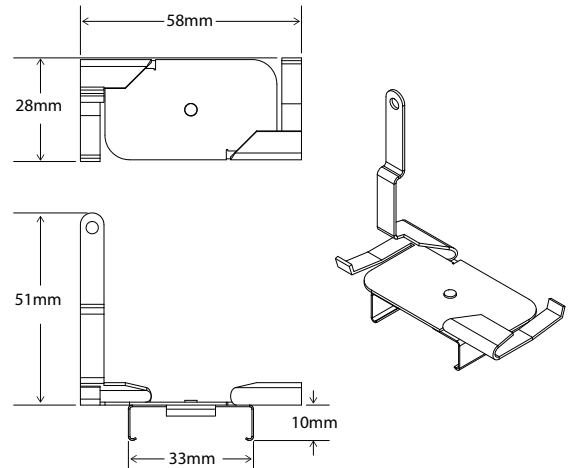
DIMENSIONAL INFORMATION - MOUNTING HARDWARE



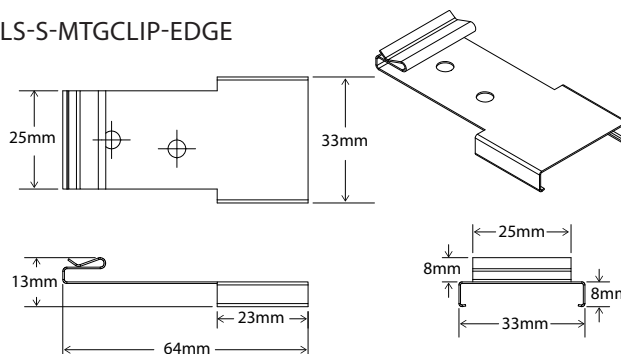
HLS-S-MTGCLIP



HLS-S-MTGCLIP-SEISMIC



HLS-S-MTGCLIP-EDGE



Tempo products and technologies are protected under one or more US and International patents.

Tempo reserves the right to change materials or modify the design of its product without notification as part of the company's continuing product improvement program. Please consult www.tempollc.com for the most up-to-date specifications and technical data.