

HLS House Lighting System (metric)

SURFACE MOUNT, 2-CIRCUIT
24VDC REMOTE POWER SUPPLY



APPLICATION

The House Lighting System (HLS) is a ceiling mounted luminaire designed to illuminate spaces requiring several lighting scenarios, such as theater or auditorium venues. Luminaires may be configured with multiple 12" lighting modules, each with different light distributions and/or intensity. A typical cinema application would include luminaires configured with High Lumen non-dimming modules for theater cleaning and High Uniformity dimmable modules for house lighting, trailer and movie screening.

The HLS Surface Mount is designed for continuous surface or suspension mounting. Also available, a recessed mounting model for T-Bar ceiling grids, (see separate Recessed Mount spec sheet).

HLS centralizes control and servicing by utilizing a low voltage 24VDC, remotely powered system.

CONSTRUCTION

- Extruded aluminum channel
- Thermally optimized die-cast aluminum light module housings
- Plug and play connectors for simplified installation
- CSA damp location listed

OPTICS / LENS / DIFFUSER

- High Lumen Cleaning Light modules (C) consist of a 12" module with a lightly frosted dome lens for wide beam spreads.
- High Uniformity House Light modules (H) consist of a 12" modules with a dome lens and high diffusion film over a high density array of LEDs.

POWER SYSTEM

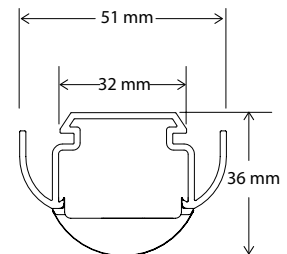
- Utilizes remote, low voltage 24VDC power supply, 120V
- Dual circuit design, with all Cleaning Light (C) modules on one non-dimming circuit and House Light (H) on second circuit for Triac or ELV dimming.

PERFORMANCE

- Light output varies by configuration, see performance summary
- Fully dimmable House Light modules allow for different scenes such as Trailer screening, Movie screening and Intermissions.
- Operating temperature range of -20°C to 50°C

LIGHT CHARACTERISTICS

- Available in 2200K, 2700K, 3000K, 3500K, 4000K correlated color temperature. A different color temperature may be selected for Cleaning Light modules (C) & House Light modules (H).
- Typical CRI of 80+
- LED's are selected and placed on the printed circuit boards via Tempo Industries' UniBin[®] process which ensures consistent hue and color within the entire installation. Color variations are held to a minimum, within a 2-step MacAdam ellipse.



Buy Tempo
Buy American

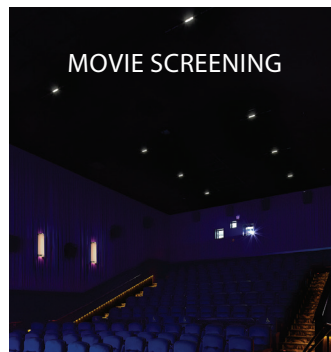


WARRANTY

Tempo provides a 2-year limited warranty. A 5-year limited warranty will apply when installed by a Tempo Certified Installer.

86,000 HOURS

L85 LUMEN MAINTENANCE
LED Luminaires will reach 85% of initial lumen output at or beyond 86,000 hours at 25°C.



HLS House Lighting System (metric)

SURFACE MOUNT, 2-CIRCUIT

24VDC REMOTE POWER SUPPLY

PERFORMANCE SUMMARY All data nominal

Module Configuration		Watts/Module	Delivered Lumens
C1 Cleaning Light Circuit	Cleaning Light , 12" module, wide beam optics, (3500K test data shown)	12 W	1200 lm
H1 House Light Circuit	House Light , 12" module, high uniformity dome lens, (2700K test data shown)	10 W	850 lm

ORDERING INFORMATION

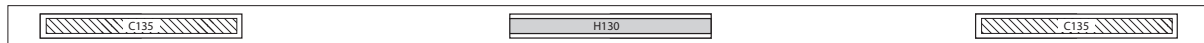
Example: HLS-24-S-1800-C135-H130-C135-BK

HLS-24	S	1800	LIGHT MODULE CONFIGURATION						Finish	
Series	Mounting		Module #1	Color Temp	Module #2	Color Temp	Module #3	Color Temp		
House Lighting System	S Surface Mount	1800mm (1.8m)	C1 Cleaning Light (Circuit 1)	22 2200K 27 2700K 30 3000K 35 3500K	C1 Cleaning Light (Circuit 1)	22 2200K 27 2700K 30 3000K 35 3500K	C1 Cleaning Light (Circuit 1)	22 2200K 27 2700K 30 3000K 35 3500K	BK Black WH White	
24VDC			H1 House Light (Circuit 2)	40 4000K	H1 House Light (Circuit 2)	40 4000K	H1 House Light (Circuit 2)	40 4000K		
			For No Module, Leave Blank		For No Module, Leave Blank		For No Module, Leave Blank			

SAMPLE CONFIGURATIONS

HLS-24-S-1800-C140-H130-C140-BK

HLS 24VDC Surface Mount 1.8m, C135 Cleaning Light, 3500K; H130 House Light, 3000K; C135 Cleaning Light, 3500K, Black



HLS-24-S-1800-C135-C135-WH

HLS 24VDC Surface Mount 1.8m, C135 Cleaning Light, 3500K; No Center Module; C135 Cleaning Light, 3500K, White



HLS House Lighting System (metric)

SURFACE MOUNT, 2-CIRCUIT

24VDC REMOTE POWER SUPPLY

SYSTEM INTEGRATION ACCESSORIES

24" POWER ENCLOSURE WITH LED DRIVERS		
	PWR-ENC - 24/X - 24T/Y -24	X = Quantity of 100W, 24VDC (120V input) Non-Dimming Drivers for Cleaning Light modules (C) Y = Quantity of 100W 24VDC (120V input) Triac & ELV Dimming Drivers for House Light modules (H) <i>Maximum of 2 Drivers In One 24" x 4" x 4" Power Enclosure</i>
48" POWER ENCLOSURE WITH LED DRIVERS		
	PWR-ENC - 24/X - 24T/Y -48	X = Quantity of 100W, 24VDC (120V input) Non-Dimming Drivers for Cleaning Light modules (C) Y = Quantity of 100W 24VDC (120V input) Triac & ELV Dimming Drivers for House Light modules (H) <i>Maximum of 4 Drivers In One 48" x 4" x 4" Power Enclosure</i>
TriDim DIMMING & POWER ENCLOSURE		
	PWR-TDIM-100-24	Dim linear LED with legacy Incandescent Triac dimmers not directly compatible with LED systems Tri-Dim Triac dimming adapter, 120V input, 100W 24VDC driver output - (see TriDim spec sheet)
	PWR-TDIM-200-24	Tri-Dim Triac dimming adapter, 120V input, 2 x 100W 24VDC driver outputs - (see TriDim spec sheet)
WIREWAY		
	HLS2-S-6-WIREWAY-BK	HLS Surface Wireway, 2-Circuit, pre-wired, includes plug and play connectors, 6ft.
MOUNTING HARDWARE		
	HLS4-S-SPLICEBOX-M¹	HLS Surface Splice Box, 4-Circuit ¹ , pre-wired with quick connect connectors, male end feed
	HLS4-S-SPLICEBOX-F¹	HLS Surface Splice Box, 4-Circuit ¹ , pre-wired with quick connect connectors, female end feed
	HLS4-S-PB-BK²	HLS Surface Power Box, 4-Circuit ² , pre-wired with plug and play connector, includes cover plate
	HLS-S-JBOX	HLS Surface J-Box for mounting on continuous T-grid spine. Standard 2-gang j-box (by others) may be used when the power box is located within a tile
	HLS-S-MTGCLIP	HLS Surface Mount T-Bar Clips (QTY 12). Minimum of 2 clips every 6ft section (luminaire or wireway).
	HLS-S-MTGCLIP-EDGE	HLS Surface Mount T-Bar Edge Clips (QTY 12).
	HLS-S-MTGCLIP-SEISMIC	HLS Surface Mount T-Bar Clips (QTY 12) with Seismic Bracing Hanger.
2-CIRCUIT POWER FEED CABLE		
	WIR-16-2BLU/2RED-PR	Plenum rated cable, 16 gauge, 4 wires: 2 Blue / 2 Red, 300ft per reel
SURGE SUPPRESSION DEVICE		
Tempo furnished surge suppression device must be installed on each supplying branch circuit to comply with warranty terms.		
	SSD-120	120V Branch Circuit
	SSD-277	277V Branch Circuit
POWER INVERTERS		
Tempo's power inverters supply battery power backup to designated emergency lighting power supplies.		
	PWR-INV-110-120	Power Inverter, 110W, 120V Input/Output
	PWR-INV-225-120	Power Inverter, 225W, 120V Input/Output
	PWR-INV-350-120/277	Power Inverter, 350W, UNV Input/120V or 277V Output

NOTES:

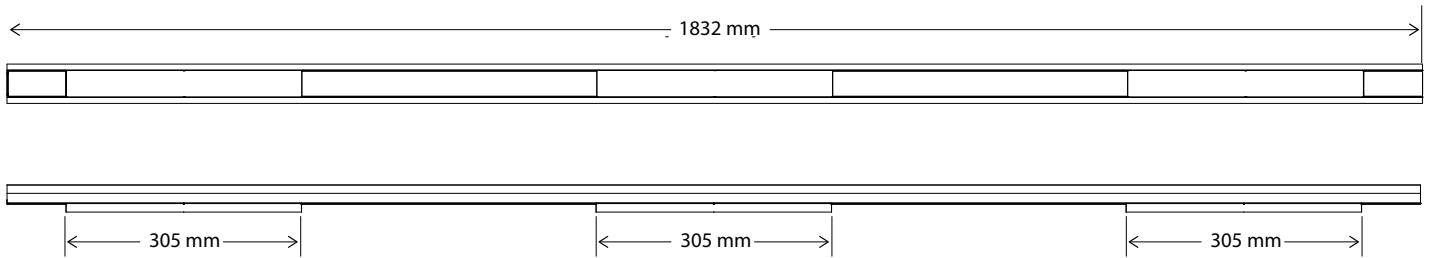
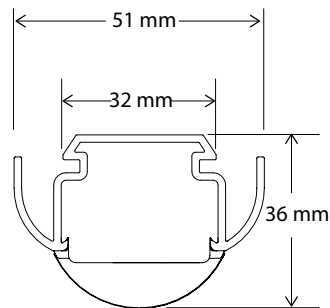
- 1) Splice Boxes (HLS4-S-SPLICEBOX-M and HLS4-S-SPLICEBOX-F) are pre-wired for 4-circuit.
For 2-circuit fixtures, make the 2 connections accordingly and leave the 2 remaining connectors as dead ends.
- 2) Power Box (HLS4-S-PB-BK) is pre-wired for 4-circuit.
For 2-circuit fixtures, make the 2 connections accordingly and leave the 2 remaining connectors as dead ends.

HLS House Lighting System (metric)

SURFACE MOUNT, 2-CIRCUIT

24VDC REMOTE POWER SUPPLY

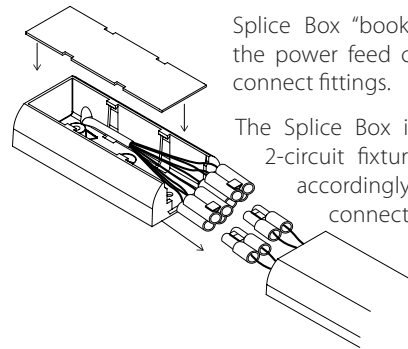
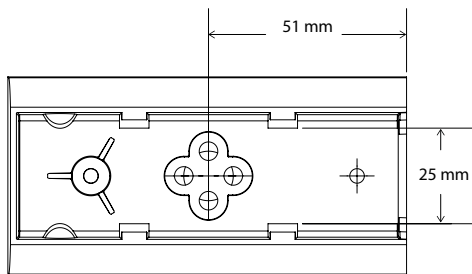
DIMENSIONAL INFORMATION - SURFACE MOUNTED



DIMENSIONAL INFORMATION - MOUNTING HARDWARE

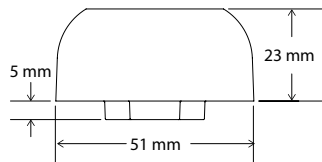
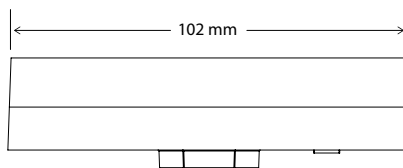
SPLICE BOX SYSTEM

HLS4-S-SPLICEBOX-M/F



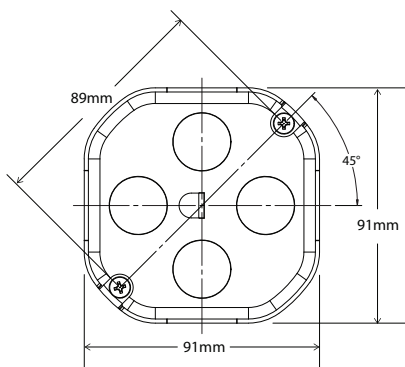
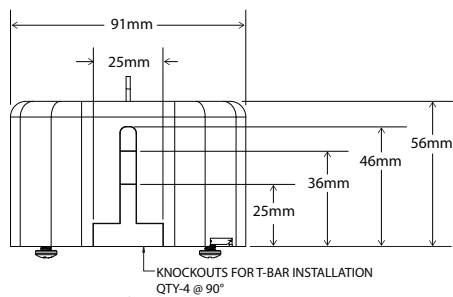
Splice Box "book ends" the HLS fixture with the power feed connections made with quick connect fittings.

The Splice Box is pre-wired for 4-circuit. For 2-circuit fixtures, make the 2 connections accordingly and leave the 2 remaining connectors as dead ends.

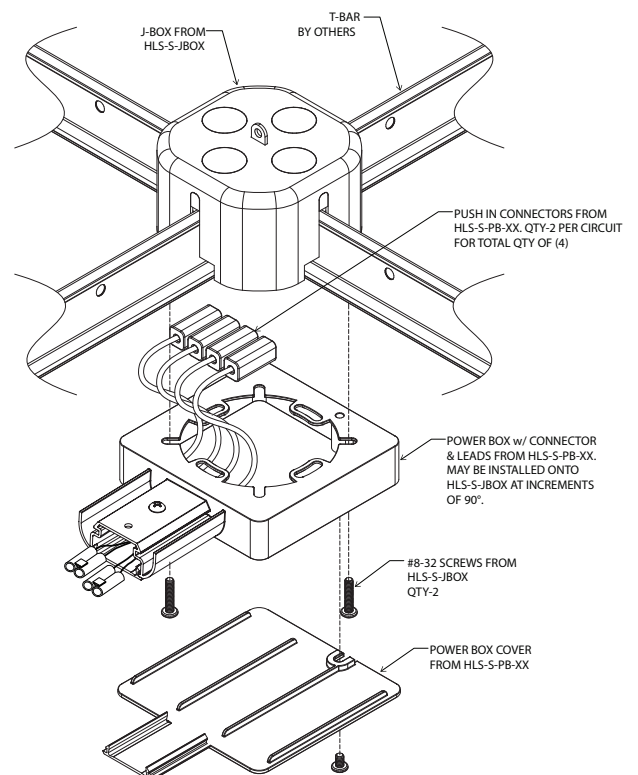


J-BOX SYSTEM

HLS-S-JBOX

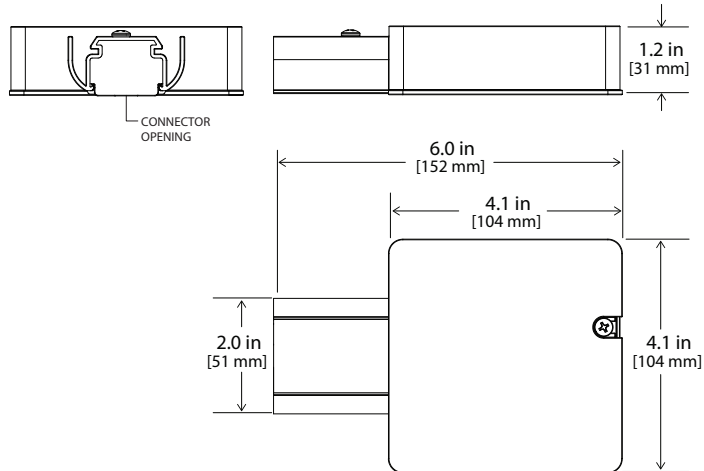


HLS4-S-PB & HLS-S-JBOX ASSEMBLY

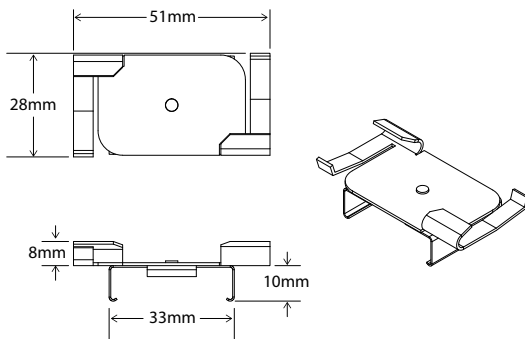


DIMENSIONAL INFORMATION - MOUNTING HARDWARE

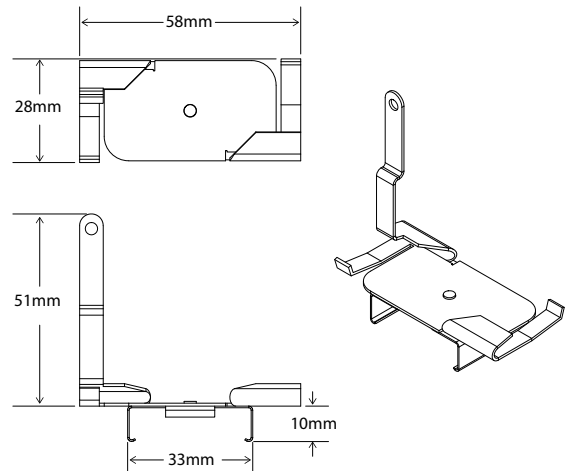
HLS4-S-PB



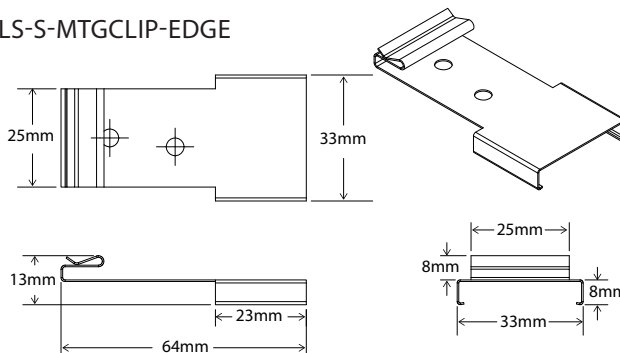
HLS-S-MTGCLIP



HLS-S-MTGCLIP-SEISMIC



HLS-S-MTGCLIP-EDGE



Tempo products and technologies are protected under one or more US and International patents.

Tempo reserves the right to change materials or modify the design of its product without notification as part of the company's continuing product improvement program. Please consult www.tempollc.com for the most up-to-date specifications and technical data.