

## HLS House Lighting System

SURFACE MOUNT, 2-CIRCUIT  
24VDC REMOTE POWER SUPPLY



### APPLICATION

The House Lighting System (HLS) is a ceiling mounted luminaire designed to illuminate spaces requiring several lighting scenarios, such as theater or auditorium venues. Luminaires may be configured with multiple 12" lighting modules, each with different light distributions and/or intensity. A typical cinema application would include luminaires configured with High Lumen non-dimming modules for theater cleaning and High Uniformity dimmable modules for house lighting, trailer and movie screening.

The HLS Surface Mount is designed for continuous surface or suspension mounting. Also available, a recessed mounting model for T-Bar ceiling grids, (see separate Recessed Mount spec sheet).

HLS centralizes control and servicing by utilizing a low voltage 24VDC, remotely powered system.

### CONSTRUCTION

- Extruded aluminum channel
- Thermally optimized die-cast aluminum light module housings
- Plug and play connectors for simplified installation
- CSA damp location listed

### OPTICS / LENS / DIFFUSER

- High Lumen Cleaning Light modules (C) consist of a 12" module with a lightly frosted dome lens for wide beam spreads.
- High Uniformity House Light modules (H) consist of a 12" modules with a dome lens and high diffusion film over a high density array of LEDs.

### POWER SYSTEM

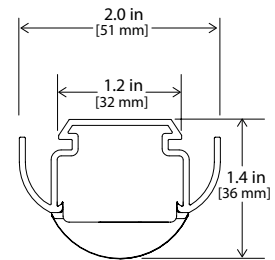
- Utilizes remote, low voltage 24VDC power supply, 120V
- Dual circuit design, with all Cleaning Light (C) modules on one non-dimming circuit and House Light (H) on second circuit for Triac or ELV dimming.

### PERFORMANCE

- Light output varies by configuration, see performance summary
- Fully dimmable House Light modules allow for different scenes such as Trailer screening, Movie screening and Intermissions.
- Operating temperature range of -20°C to 50°C

### LIGHT CHARACTERISTICS

- Available in 2200K, 2700K, 3000K, 3500K, 4000K correlated color temperature. A different color temperature may be selected for Cleaning Light modules (C) & House Light modules (H).
- Typical CRI of 80+
- LED's are selected and placed on the printed circuit boards via Tempo Industries' UniBin® process which ensures consistent hue and color within the entire installation. Color variations are held to a minimum, within a 2-step MacAdam ellipse.



Buy Tempo  
Buy American



### WARRANTY

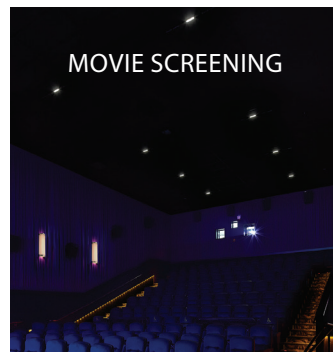
Tempo provides a 2-year limited warranty.

A 5-year limited warranty will apply when installed by a Tempo Certified Installer.

### 86,000 HOURS

### L85 LUMEN MAINTENANCE

LED Luminaires will reach 85% of initial lumen output at or beyond 86,000 hours at 25°C.



## HLS House Lighting System

SURFACE MOUNT, 2-CIRCUIT

24VDC REMOTE POWER SUPPLY

### PERFORMANCE SUMMARY All data nominal

Module Configuration		Watts/Module	Delivered Lumens
<b>C1</b> Cleaning Light Circuit	<b>Cleaning Light</b> , 12" module, wide beam optics, (3500K test data shown)	12 W	1200 lm
<b>H1</b> House Light Circuit	<b>House Light</b> , 12" module, high uniformity dome lens, (2700K test data shown)	10 W	850 lm

### ORDERING INFORMATION

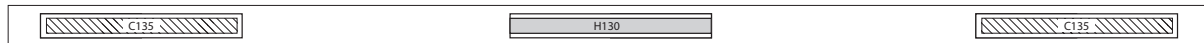
Example: HLS-24-S-6-C135-H130-C135-BK

HLS-24	S	6	LIGHT MODULE CONFIGURATION						Finish
Series	Mounting	Fixture Length	Module #1	Color Temp	Module #2	Color Temp	Module #3	Color Temp	Finish
House Lighting System	S Surface Mount	6 6 ft	<b>C1</b> Cleaning Light (Circuit 1)	<b>22</b> 2200K <b>27</b> 2700K <b>30</b> 3000K <b>35</b> 3500K	<b>C1</b> Cleaning Light (Circuit 1)	<b>22</b> 2200K <b>27</b> 2700K <b>30</b> 3000K <b>35</b> 3500K	<b>C1</b> Cleaning Light (Circuit 1)	<b>22</b> 2200K <b>27</b> 2700K <b>30</b> 3000K <b>35</b> 3500K	<b>BK</b> Black <b>WH</b> White
24VDC			<b>H1</b> House Light (Circuit 2)	<b>40</b> 4000K	<b>H1</b> House Light (Circuit 2)	<b>40</b> 4000K	<b>H1</b> House Light (Circuit 2)	<b>40</b> 4000K	
			For No Module, Leave Blank		For No Module, Leave Blank		For No Module, Leave Blank		

### SAMPLE CONFIGURATIONS

#### HLS-24-S-6-C140-H130-C140-BK

HLS 24VDC Surface Mount 6 ft, C135 Cleaning Light, 3500K; H130 House Light, 3000K; C135 Cleaning Light, 3500K, Black



#### HLS-24-S-6-C135-C135-WH

HLS 24VDC Surface Mount 6 ft, C135 Cleaning Light, 3500K; No Center Module; C135 Cleaning Light, 3500K, White



## HLS House Lighting System

SURFACE MOUNT, 2-CIRCUIT

24VDC REMOTE POWER SUPPLY

### SYSTEM INTEGRATION ACCESSORIES

24" POWER ENCLOSURE WITH LED DRIVERS		
	<b>PWR-ENC - 24/X - 24T/Y -24</b>	X = Quantity of 100W, 24VDC (120V input) Non-Dimming Drivers for Cleaning Light modules (C) Y = Quantity of 100W 24VDC (120V input) Triac & ELV Dimming Drivers for House Light modules (H) <i>Maximum of 2 Drivers In One 24" x 4" x 4" Power Enclosure</i>
48" POWER ENCLOSURE WITH LED DRIVERS		
	<b>PWR-ENC - 24/X - 24T/Y -48</b>	X = Quantity of 100W, 24VDC (120V input) Non-Dimming Drivers for Cleaning Light modules (C) Y = Quantity of 100W 24VDC (120V input) Triac & ELV Dimming Drivers for House Light modules (H) <i>Maximum of 4 Drivers In One 48" x 4" x 4" Power Enclosure</i>
TriDim DIMMING & POWER ENCLOSURE		
	<b>PWR-TDIM-100-24</b>	Dim linear LED with legacy Incandescent Triac dimmers not directly compatible with LED systems Tri-Dim Triac dimming adapter, 120V input, 100W 24VDC driver output - (see TriDim spec sheet)
	<b>PWR-TDIM-200-24</b>	Tri-Dim Triac dimming adapter, 120V input, 2 x 100W 24VDC driver outputs - (see TriDim spec sheet)
WIREWAY		
	<b>HLS2-S-6-WIREWAY-BK</b>	HLS Surface Wireway, 2-Circuit, pre-wired, includes plug and play connectors, 6ft.
MOUNTING HARDWARE		
	<b>HLS4-S-SPLICEBOX-M<sup>1</sup></b>	HLS Surface Splice Box, 4-Circuit <sup>1</sup> , pre-wired with quick connect connectors, male end feed
	<b>HLS4-S-SPLICEBOX-F<sup>1</sup></b>	HLS Surface Splice Box, 4-Circuit <sup>1</sup> , pre-wired with quick connect connectors, female end feed
	<b>HLS4-S-PB-BK<sup>2</sup></b>	HLS Surface Power Box, 4-Circuit <sup>2</sup> , pre-wired with plug and play connector, includes cover plate
	<b>HLS-S-JBOX</b>	HLS Surface J-Box for mounting on continuous T-grid spine. Standard 2-gang j-box (by others) may be used when the power box is located within a tile
	<b>HLS-S-MTGCLIP</b>	HLS Surface Mount T-Bar Clips (QTY 12). Minimum of 2 clips every 6ft section (luminaire or wireway).
	<b>HLS-S-MTGCLIP-EDGE</b>	HLS Surface Mount T-Bar Edge Clips (QTY 12).
	<b>HLS-S-MTGCLIP-SEISMIC</b>	HLS Surface Mount T-Bar Clips (QTY 12) with Seismic Bracing Hanger.
2-CIRCUIT POWER FEED CABLE		
	<b>WIR-16-2BLU/2RED-PR</b>	Plenum rated cable, 16 gauge, 4 wires: 2 Blue / 2 Red, 300ft per reel
SURGE SUPPRESSION DEVICE		
Tempo furnished surge suppression device must be installed on each supplying branch circuit to comply with warranty terms.		
	<b>SSD-120</b>	120V Branch Circuit
	<b>SSD-277</b>	277V Branch Circuit
POWER INVERTERS		
Tempo's power inverters supply battery power backup to designated emergency lighting power supplies.		
	<b>PWR-INV-110-120</b>	Power Inverter, 110W, 120V Input/Output
	<b>PWR-INV-225-120</b>	Power Inverter, 225W, 120V Input/Output
	<b>PWR-INV-350-120277</b>	Power Inverter, 350W, UNV Input/120V or 277V Output

#### NOTES:

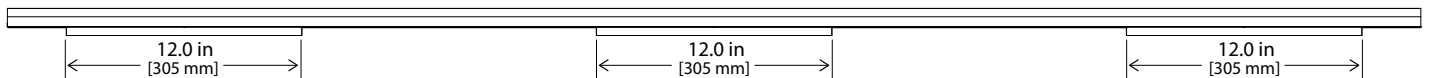
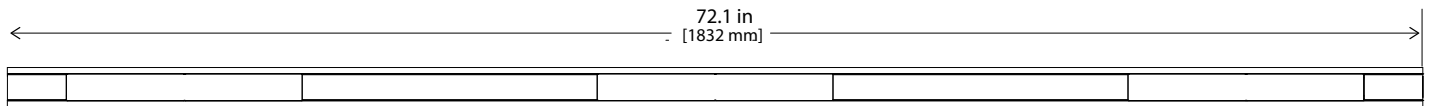
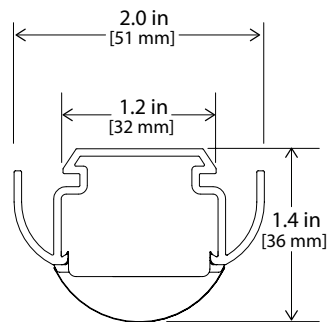
- 1) Splice Boxes (HLS4-S-SPLICEBOX-M and HLS4-S-SPLICEBOX-F) are pre-wired for 4-circuit.  
For 2-circuit fixtures, make the 2 connections accordingly and leave the 2 remaining connectors as dead ends.
- 2) Power Box (HLS4-S-PB-BK) is pre-wired for 4-circuit.  
For 2-circuit fixtures, make the 2 connections accordingly and leave the 2 remaining connectors as dead ends.

# HLS House Lighting System

SURFACE MOUNT, 2-CIRCUIT

24VDC REMOTE POWER SUPPLY

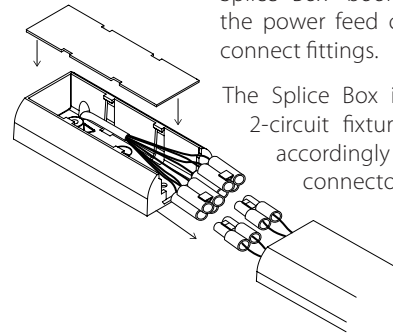
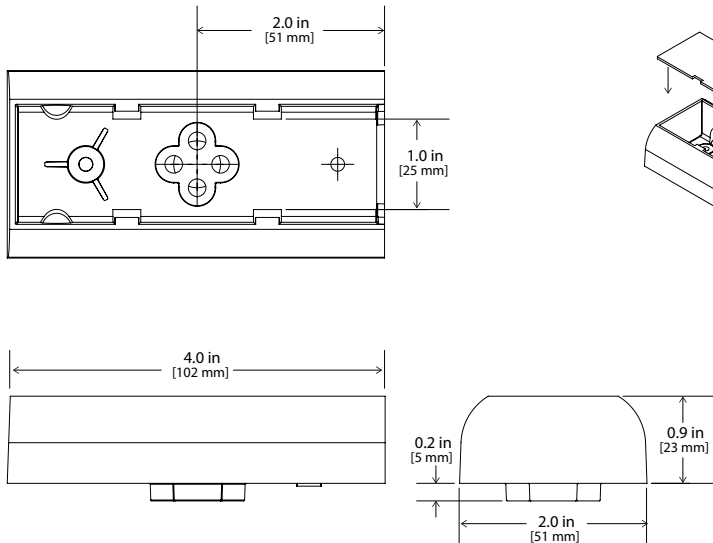
## DIMENSIONAL INFORMATION - SURFACE MOUNTED



## DIMENSIONAL INFORMATION - MOUNTING HARDWARE

### SPLICE BOX SYSTEM

#### HLS4-S-SPLICEBOX-M/F

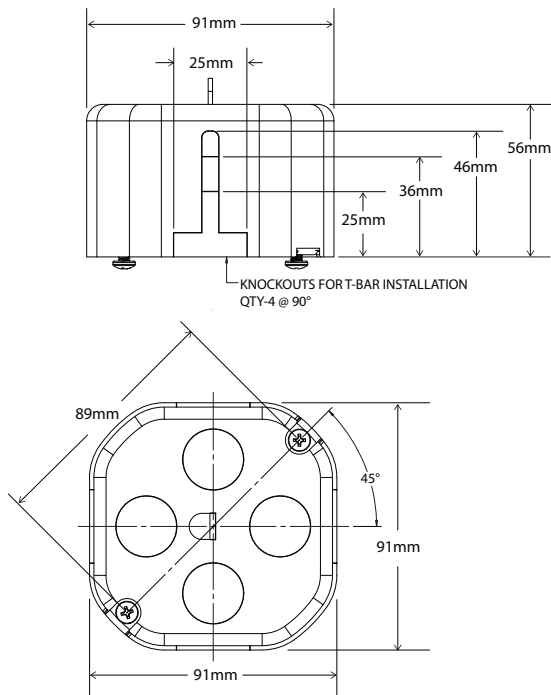


Splice Box "book ends" the HLS fixture with the power feed connections made with quick connect fittings.

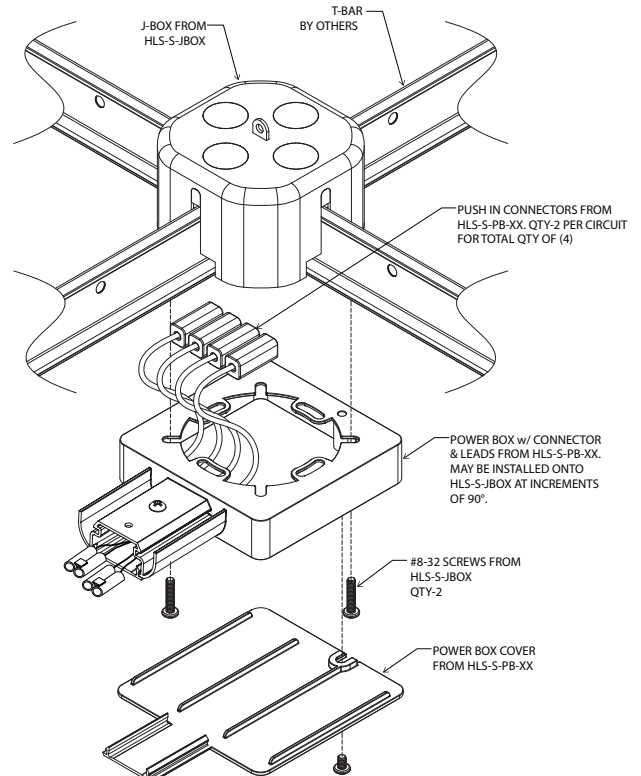
The Splice Box is pre-wired for 4-circuit. For 2-circuit fixtures, make the 2 connections accordingly and leave the 2 remaining connectors as dead ends.

### J-BOX SYSTEM

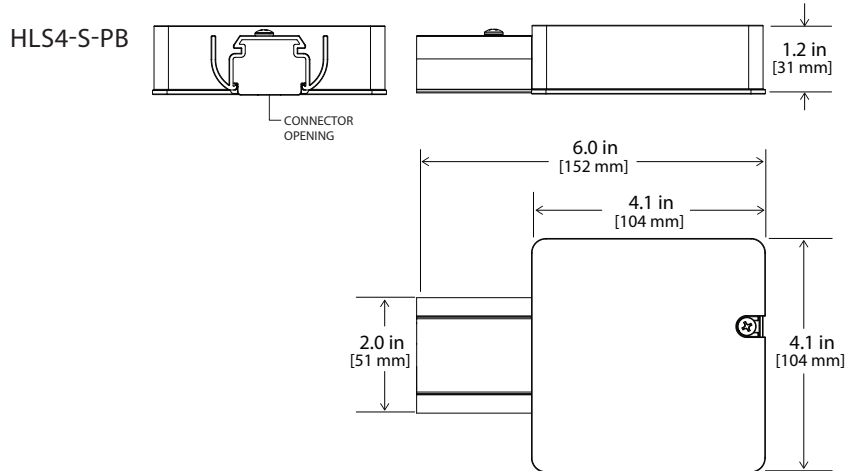
#### HLS-S-JBOX



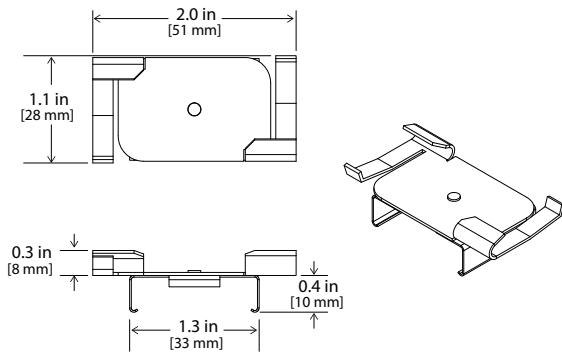
#### HLS4-S-PB & HLS-S-JBOX ASSEMBLY



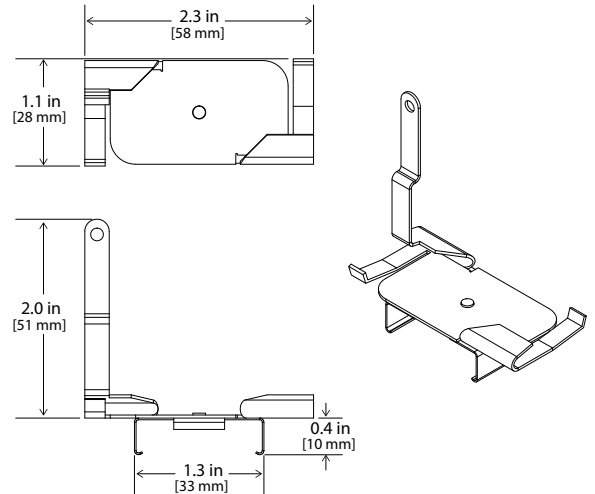
DIMENSIONAL INFORMATION - MOUNTING HARDWARE



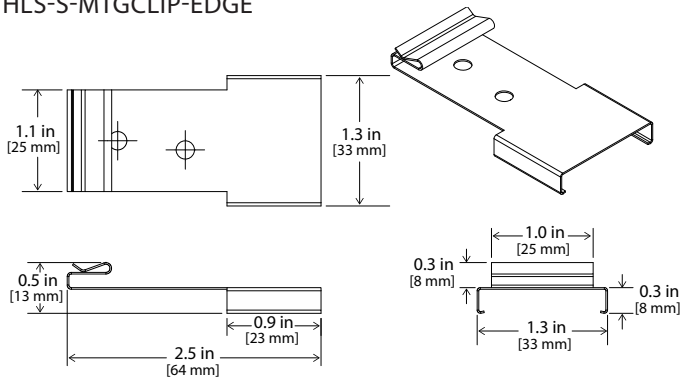
HLS-S-MTGCLIP



HLS-S-MTGCLIP-SEISMIC



HLS-S-MTGCLIP-EDGE



Tempo products and technologies are protected under one or more US and International patents.

Tempo reserves the right to change materials or modify the design of its product without notification as part of the company's continuing product improvement program. Please consult [www.tempolc.com](http://www.tempolc.com) for the most up-to-date specifications and technical data.