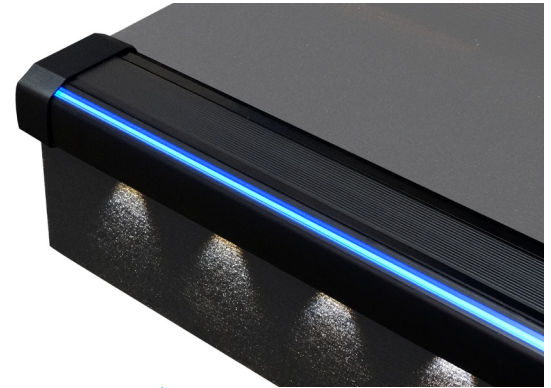


Guardian¹³ AI

ALUMINUM STEP NOSE WITH EMBEDDED LIGHTING

NORTH AMERICAN SPECIFICATION



APPLICATION

The Guardian AL Step Nose is ideal for any type of venue from movie theatres to auditoriums and stadiums. Provides a continuous line of light on the tread of each step and a non-slip vinyl tread insert for ultimate safety and aesthetics in low light environments. Optional riser lighting provides scalloped light effect on the riser for additional safety. Features two circuit design so tread and riser light can be dimmed separately as needed. Commercial grade aluminum body is cut to length at factory for ease of installation and the LEDs can be field serviced if needed without removing entire step nose. End covers can be adjusted and pulled out after installation for fitting and maintenance. Riser light cap shields can be shifted left or right after installation for better alignment to match the scalloped steps above and below in the run.

CONSTRUCTION

- Durable extruded aluminum body, black.
- Matching black die cast aluminum end covers.
- Non-slip vinyl insert in contrasting colors of Black and Gray.
- Mechanical (screw) installation plus adhesive for extra security and vibration dampening properties.
- Flooring Slip Resistance Test Certified - AS HB198:2014 (AS/NZS 4586)

OPTICS / LENS / DIFFUSER

- Continuous side glow fiber optic rod on tread provided even, neon type, illumination across step.
- Riser LEDs spaced 4in on center for scallop effect.
- Seated tread lens resists spills and moisture ingress.

PERFORMANCE

- Micro-maintainable LEDs are field replaceable without having to remove step nose fixture.
- Power consumption of 1.0W/step tread LED and less than 1.0W/ft for riser LEDs.
- 2 circuit dimmable design allows for separate control of tread light output and riser light output.
- 12VDC remote power supply.
- Optional 12VAC remote power supply enabling longer run lengths.

LIGHT CHARACTERISTICS

- Tread LED and riser LED colors available in Red, Green, Blue, Amber, Yellow or White.

Buy Tempo
Buy American



WARRANTY

Minimum 2 year limited warranty. Contact customer service for more details on warranty options.



Guardian¹³ AI

ALUMINUM STEP NOSE WITH EMBEDDED LIGHTING

NORTH AMERICAN SPECIFICATION

ORDERING INFORMATION

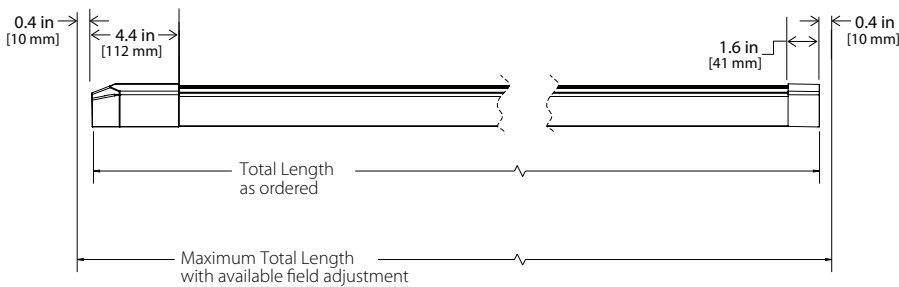
GUARDIAN ALUMINUM STEP NOSE

Example: GA12D-RD-2704-GY-WC-L-U48BK

Guardian Aluminum Step Nose, 12VDC, Tread LED Red, Riser LED 2700K/4in, Gray Vinyl, Left Wall Cover/Right Carpet to Floor Cover, Left Power Feed, US - 48in, Black

GA										BK	
Series	Voltage		Tread LED Line Color ¹	Riser LED Color ¹	Riser LED Spacing ²	Vinyl Tread Color	Left End Cover	Right End Cover	Power Feed	Total Length ³	Anodized Finish
GA Guardian Aluminum Step Nose	12D 12VDC 12A 12VAC		RD Red GR Green BL Blue AM Amber YL Yellow NN No LED	RD Red GR Green BL Blue AM Amber YL Yellow 16 1600K 22 2200K 27 2700K 35 3500K 40 4000K NN No LED	04 4in	BK Black GY Gray	W Wall Cover to Floor C Carpet to Floor	W Wall Cover to Floor C Carpet to Floor	L Left R Right	U30- Specify in 1in increments U80	BK Black

- 1) For custom configurations, consult factory.
- 2) Three Riser LEDs per 12 in module. Please refer to table on Page 3 for number of allowable modules per build length and their corresponding unlit space on ends.
- 3) Total order length includes end covers. For lengths longer than listed, consult factory.
Guardian AI provides up to 0.4 in outward end cover extension on both ends for field adjustability.
- 4) If Riser LED Color selection is No LED (NN), leave Riser LED Spacing selection blank.



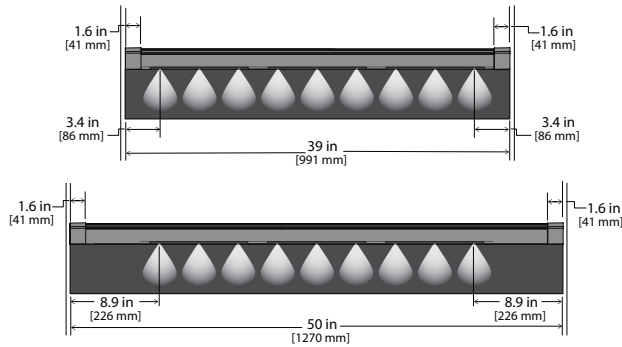
Guardian¹³ AI

ALUMINUM STEP NOSE WITH EMBEDDED LIGHTING

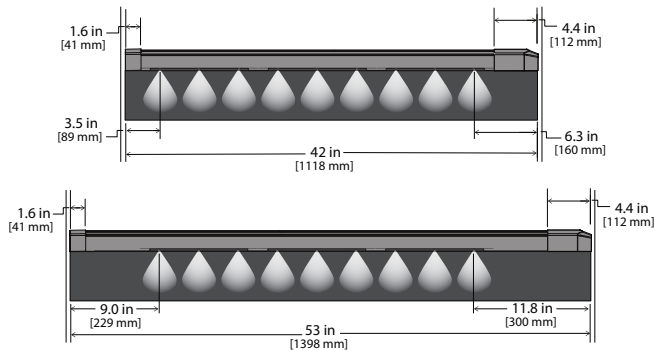
NORTH AMERICAN SPECIFICATION

Riser LED configuration examples illustrating minimum to maximum order lengths for 3 modules and the corresponding unlit space on ends.*

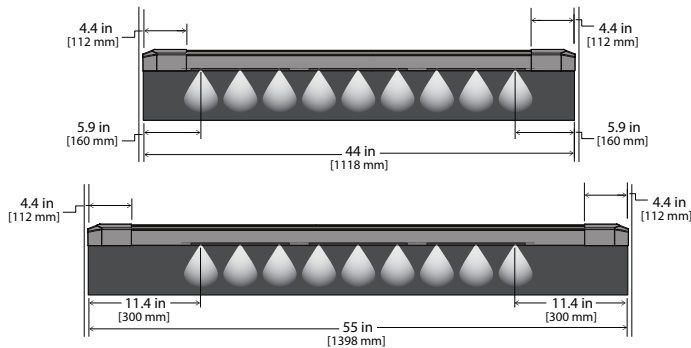
WALL END COVER / WALL END COVER



WALL END COVER / CARPET END COVER



CARPET END COVER / CARPET END COVER



* NOTE: Order lengths should be 0.25 in shorter than actual step measurement. Guardian AI provides up to 0.4 in outward end cover extension on both ends for field adjustability.

RISER LED SPECIFICATION GUIDE*

ORDER LENGTH	WALL EC / WALL EC			WALL EC / CARPET EC			CARPET EC / CARPET EC		
	# OF MOD-ULES	W-EC UNLIT SPACE	W-EC UNLIT SPACE	# OF MOD-ULES	W-EC UNLIT SPACE	C-EC UNLIT SPACE	# OF MOD-ULES	W-EC UNLIT SPACE	C-EC UNLIT SPACE
30 in	2	4.9 in	4.9 in	2	3.5 in	6.3 in	1	10.9 in	10.9 in
31 in	2	5.4 in	5.4 in	2	4.0 in	6.8 in	1	11.4 in	11.4 in
32 in	2	5.9 in	5.9 in	2	4.5 in	7.3 in	2	5.9 in	5.9 in
33 in	2	6.4 in	6.4 in	2	5.0 in	7.8 in	2	6.4 in	6.4 in
34 in	2	6.9 in	6.9 in	2	5.5 in	8.3 in	2	6.9 in	6.9 in
35 in	2	7.4 in	7.4 in	2	6.0 in	8.8 in	2	7.4 in	7.4 in
36 in	2	7.9 in	7.9 in	2	6.5 in	9.3 in	2	7.9 in	7.9 in
37 in	2	8.4 in	8.4 in	2	7.0 in	9.8 in	2	8.4 in	8.4 in
38 in	2	8.9 in	8.9 in	2	7.5 in	10.3 in	2	8.9 in	8.9 in
39 in	3	3.4 in	3.4 in	2	8.0 in	10.8 in	2	9.4 in	9.4 in
40 in	3	3.9 in	3.9 in	2	8.5 in	11.3 in	2	9.9 in	9.9 in
41 in	3	4.4 in	4.4 in	2	9.0 in	11.8 in	2	10.4 in	10.4 in
42 in	3	4.9 in	4.9 in	3	3.5 in	6.3 in	2	10.9 in	10.9 in
43 in	3	5.4 in	5.4 in	3	4.0 in	6.8 in	2	11.4 in	11.4 in
44 in	3	5.9 in	5.9 in	3	4.5 in	7.3 in	3	5.9 in	5.9 in
45 in	3	6.4 in	6.4 in	3	5.0 in	7.8 in	3	6.4 in	6.4 in
46 in	3	6.9 in	6.9 in	3	5.5 in	8.3 in	3	6.9 in	6.9 in
47 in	3	7.4 in	7.4 in	3	6.0 in	8.8 in	3	7.4 in	7.4 in
48 in	3	7.9 in	7.9 in	3	6.5 in	9.3 in	3	7.9 in	7.9 in
49 in	3	8.4 in	8.4 in	3	7.0 in	9.8 in	3	8.4 in	8.4 in
50 in	3	8.9 in	8.9 in	3	7.5 in	10.3 in	3	8.9 in	8.9 in
51 in	4	3.4 in	3.4 in	3	8.0 in	10.8 in	3	9.4 in	9.4 in
52 in	4	3.9 in	3.9 in	3	8.5 in	11.3 in	3	9.9 in	9.9 in
53 in	4	4.4 in	4.4 in	3	9.0 in	11.8 in	3	10.4 in	10.4 in
54 in	4	4.9 in	4.9 in	4	3.5 in	6.3 in	3	10.9 in	10.9 in
55 in	4	5.4 in	5.4 in	4	4.0 in	6.8 in	3	11.4 in	11.4 in
56 in	4	5.9 in	5.9 in	4	4.5 in	7.3 in	4	5.9 in	5.9 in
57 in	4	6.4 in	6.4 in	4	5.0 in	7.8 in	4	6.4 in	6.4 in
58 in	4	6.9 in	6.9 in	4	5.5 in	8.3 in	4	6.9 in	6.9 in
59 in	4	7.4 in	7.4 in	4	6.0 in	8.8 in	4	7.4 in	7.4 in
60 in	4	7.9 in	7.9 in	4	6.5 in	9.3 in	4	7.9 in	7.9 in
61 in	4	8.4 in	8.4 in	4	7.0 in	9.8 in	4	8.4 in	8.4 in
62 in	4	8.9 in	8.9 in	4	7.5 in	10.3 in	4	8.9 in	8.9 in
63 in	5	3.4 in	3.4 in	4	8.0 in	10.8 in	4	9.4 in	9.4 in
64 in	5	3.9 in	3.9 in	4	8.5 in	11.3 in	4	9.9 in	9.9 in
65 in	5	4.4 in	4.4 in	4	9.0 in	11.8 in	4	10.4 in	10.4 in
66 in	5	4.9 in	4.9 in	5	3.5 in	6.3 in	4	10.9 in	10.9 in
67 in	5	5.4 in	5.4 in	5	4.0 in	6.8 in	4	11.4 in	11.4 in
68 in	5	5.9 in	5.9 in	5	4.5 in	7.3 in	5	5.9 in	5.9 in
69 in	5	6.4 in	6.4 in	5	5.0 in	7.8 in	5	6.4 in	6.4 in
70 in	5	6.9 in	6.9 in	5	5.5 in	8.3 in	5	6.9 in	6.9 in
71 in	5	7.4 in	7.4 in	5	6.0 in	8.8 in	5	7.4 in	7.4 in
72 in	5	7.9 in	7.9 in	5	6.5 in	9.3 in	5	7.9 in	7.9 in
73 in	5	8.4 in	8.4 in	5	7.0 in	9.8 in	5	8.4 in	8.4 in
74 in	5	8.9 in	8.9 in	5	7.5 in	10.3 in	5	8.9 in	8.9 in
75 in	6	3.4 in	3.4 in	5	8.0 in	10.8 in	5	9.4 in	9.4 in
76 in	6	3.9 in	3.9 in	5	8.5 in	11.3 in	5	9.9 in	9.9 in
77 in	6	4.4 in	4.4 in	5	9.0 in	11.8 in	5	10.4 in	10.4 in
78 in	6	4.9 in	4.9 in	6	3.5 in	6.3 in	5	10.9 in	10.9 in
79 in	6	5.4 in	5.4 in	6	4.0 in	6.8 in	5	11.4 in	11.4 in
80 in	6	5.9 in	5.9 in	6	4.5 in	7.3 in	6	5.9 in	5.9 in

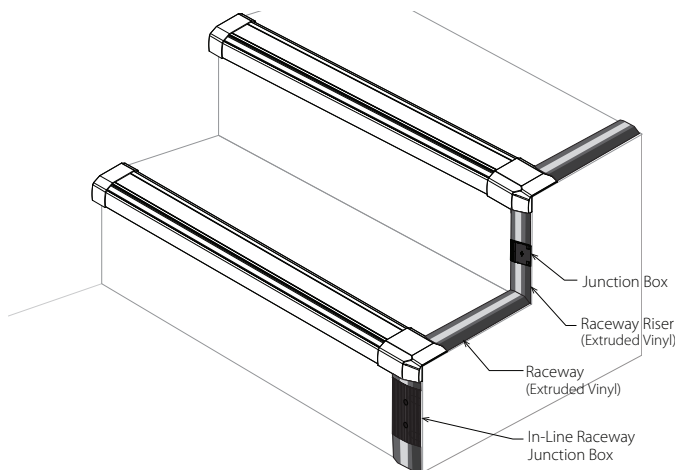
Guardian¹³ AI

ALUMINUM STEP NOSE WITH EMBEDDED LIGHTING

NORTH AMERICAN SPECIFICATION

SYSTEM INTEGRATION ACCESSORIES

J-BOX		
	LPS-BK-JBX	LPS Junction Box, Black
	LPS-BK-RW-JBX	LPS Inline Raceway J-Box, Black
RACEWAY		
	LPS-BK-RW-CF-B	LPS Extruded Vinyl Raceway, Black, Carpet to Floor, Base, 8ft
	LPS-GY-RW-C	LPS Extruded Vinyl Raceway, Gray, Cover, 8ft
	LPS-BK-RW-C	LPS Extruded Vinyl Raceway, Black, Cover, 8ft
	LPS-BK-RW-RSR	LPS Extruded Vinyl Riser Raceway, Black, 8in, square cut in field for left or right
ADHESIVE - Must be purchased from Tempo.		
	ADH-BOND-S	Tempo Set & Step Adhesive, 20 Ounce Sausage Pack
	ADH-SPREADER	Adhesive Spreader
12VDC POWER SUPPLIES - Require approved enclosure (by others). See chart below		
	PWR-120-EL-040-T	120V AC Input, 12V DC Output, 40W, Triac Dimming (dim to 1%) Lutron Hi-lume 1% 2-wire LED driver, 120V forward phase; 3.0"W x 1.0"H x 4.9"L
	PWR-UNV-EL-060	120-277V AC Input, 12V DC Output, 60W, Non-Dimming; 1.7"W x 1.3"H x 8.4"L
	PWR-UNV-EL-060-Z	120-277V AC Input, 12V DC Output, 60W, 0-10V Dimming (dim to under 10%); 1.7"W x 1.3"H x 8.4"L
	PWR-UNV-EL-100-D	120-277V AC Input, 12V DC Output, 100W, DMX/DALI, UI
12VAC POWER SUPPLIES		
	PWR-T010012/2	120V AC Input, 12V AC Output, 100W, 2 Circuit, Class II Magnetic Transformer, NEMA 3R Case
	PWR-T015012/2	120V AC Input, 12V AC Output, 150W, 3 Circuit, Class II Magnetic Transformer, NEMA 3R Case
	PWR-T025012/2	120V AC Input, 12V AC Output, 250W, 4 Circuit, Class II Magnetic Transformer, NEMA 3R Case
SURGE SUPPRESSION DEVICE A Tempo furnished surge suppression device must be installed on each supplying branch circuit to comply with warranty terms		
	SSD-120	120V Branch Circuit
	SSD-277	277V Branch Circuit



12VDC DRIVER REMOTE DISTANCE

	Wire Gauge	Maximum Lead Length
12V Driver	18 AWG	10 ft (3m)
	16 AWG	15 ft (4.5m)
	14 AWG*	25 ft (7.5m)
	12 AWG*	40 ft (12m)

* Terminal blocks on the drivers accept only solid 18AWG or 16AWG wire. To use wire gauges larger than 16AWG connect up to 3 ft of 18AWG or 16AWG, then connect 14AWG or 12AWG with UL approved wire nuts up to the maximum lead length in the above tables.

NOTE: 12VAC Transformers can go up to 200 feet with 14 gauge wire.

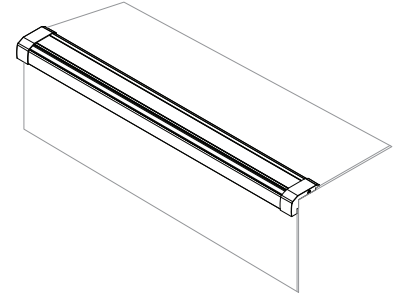
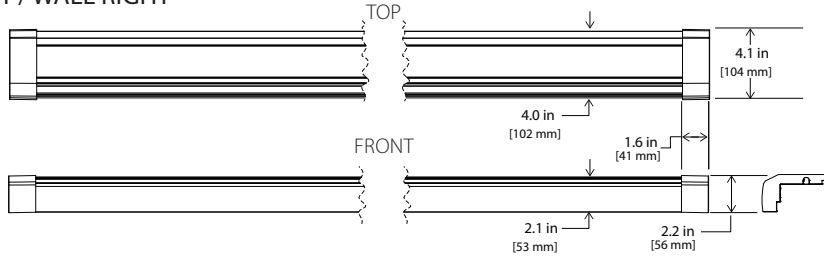
Guardian¹³ AI

ALUMINUM STEP NOSE WITH EMBEDDED LIGHTING

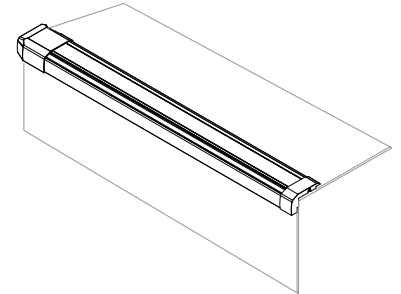
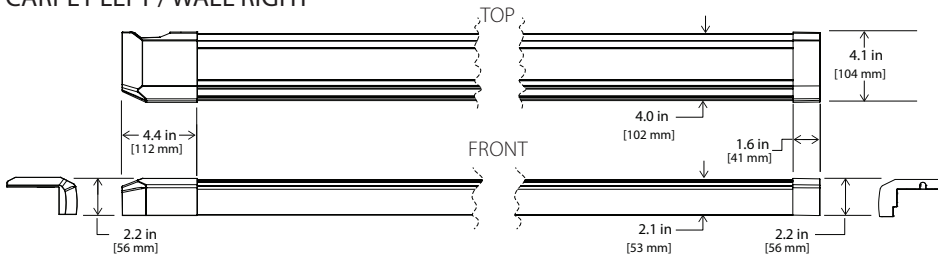
NORTH AMERICAN SPECIFICATION

DIMENSIONAL INFORMATION

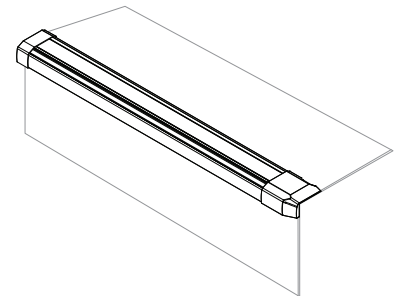
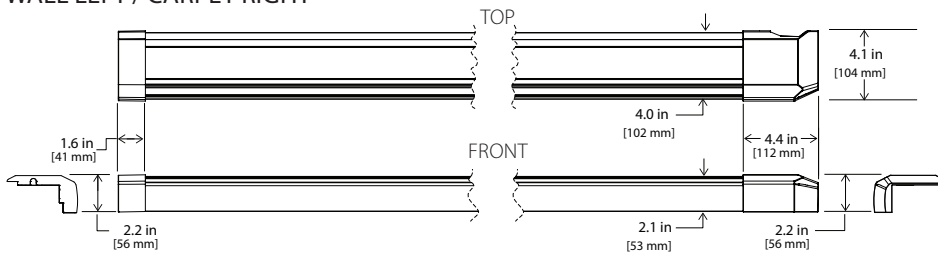
WALL LEFT / WALL RIGHT



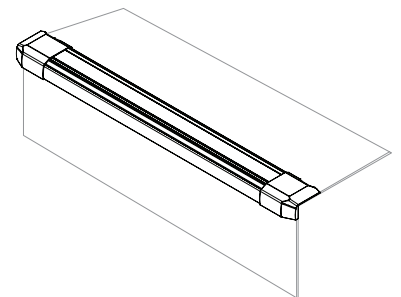
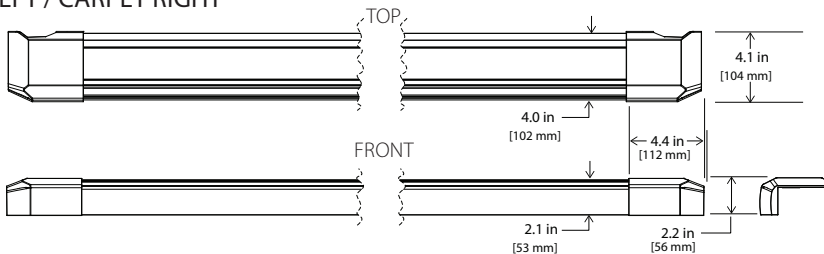
CARPET LEFT / WALL RIGHT



WALL LEFT / CARPET RIGHT



CARPET LEFT / CARPET RIGHT



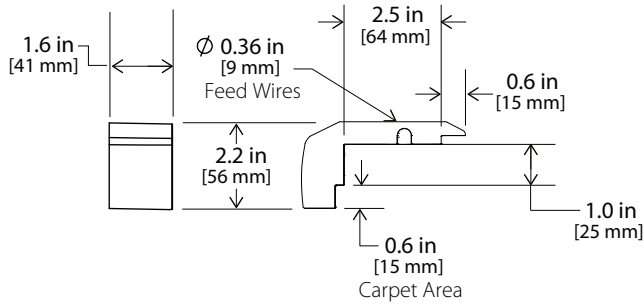
Guardian¹³ AI

ALUMINUM STEP NOSE WITH EMBEDDED LIGHTING

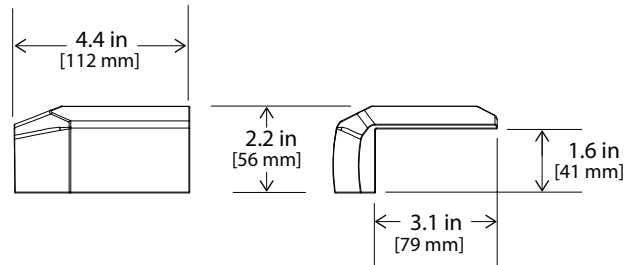
NORTH AMERICAN SPECIFICATION

DIMENSIONAL INFORMATION

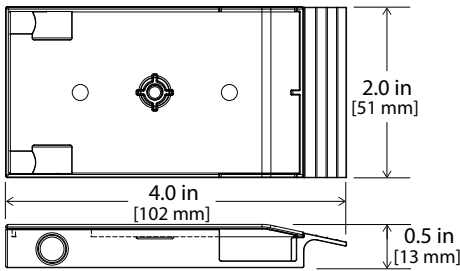
WALL END COVER



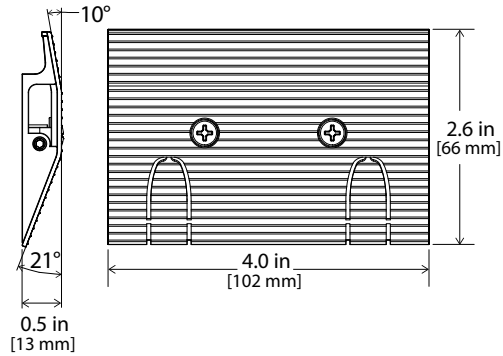
CARPET END COVER



JUNCTION BOX (LPS-BK-JBX)

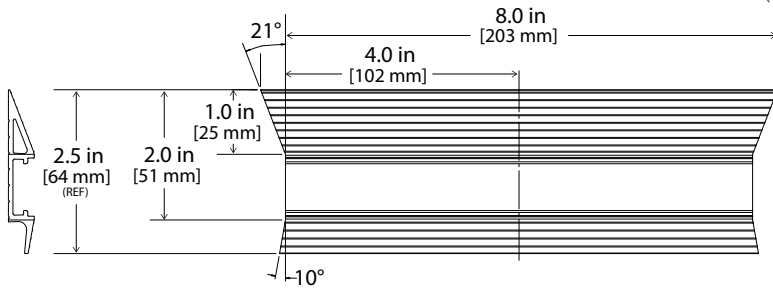


INLINE RACEWAY JUNCTION BOX (LPS-BK-RW-JBX)



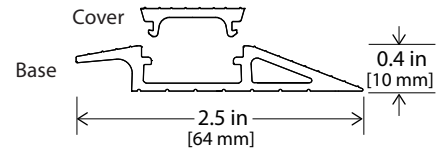
RACEWAY RISER - EXTRUDED VINYL (LPS-BK-RW-RSR)

Square cut one end for left or right



RACEWAY CARPET TO FLOOR - EXTRUDED VINYL

(LPS-BK-RW-CF-B)



APPLICATION

Set&Step™ is a one component, fast grab adhesive designed to secure Tempo floor safety products. The multipurpose elastomeric sealant has high green strength for quick adhesion. When fully cured, this unique VOC compliant formula offers UV stability and a steadfast bond to concrete, wood, metal, painted surfaces, and many other common substrates.

FEATURES & BENEFITS

- Alternative to mechanical fastening
- Black material color to match Tempo products
- High green strength/elastic with fast cure
- Flexible & durable, will not shrink or crack
- Can be sanded & painted
- Adhesion to Kynar®
- Odorless & non-corrosive
- VOC compliant
- Contains no solvents or Isocyanates
- Color stability and UV resistant (ASTM G26)
- Non-yellowing/staining
- Resistant to most chemicals

PRODUCT USAGE

- LPS Step Nose (24' per sausage pack)
- LPS Raceway (50' per sausage pack)
- Guardian Step Nose (16' per sausage pack)
- Guardian Aisle CC (60' per sausage pack)
- Guardian Aisle CF (50' per sausage pack)

MEETS SPECIFICATIONS

ASTM C920 Type S, Grade NS, Class 25, Use NT, A, M

P/N: ADH-BOND-S



PHYSICAL PROPERTIES		TEST METHOD
Cure System	Hybrid, Moisture Cure	
Movement Capability, %	± 25%	ASTM C-719
Modulus	Medium	ASTM D-412
Physical Properties (Cured)	Rubber	
Specific Gravity	1.55	
Extrusion Rate, g/min.	100	ASTM C-1183
1/8" orifice @ 50 psi		Modified
Temperature Range	-75° F to 225° F	
Intermittent Temperature Range	250° F	
Accelerated Weathering (10,000 hrs.)	No Change	AUV Weatherometer
Skin Over Time (min)*	20	MNA Method
Tack Over Time (min)*	35	ASTM C-679
Cure Rate*	1/8" per 24hrs.	MNA Method
Tensile Strength (psi)	287	ASTM D-412
Elongation %	250	ASTM D-412
Durometer Shore A	55	ASTM C-661
Shelf Life (months)	18	
Volatile Organic Content	> 26 gr./litre	

* All properties derived from lab conditions (77°F at 50% relative humidity). Test results are averages obtained under laboratory conditions. Reasonable variations can be expected.

Tempo products and technologies are protected under one or more US and International patents.

Tempo reserves the right to change materials or modify the design of its product without notification as part of the company's continuing product improvement program. Please consult www.tempolc.com for the most up-to-date specifications and technical data.