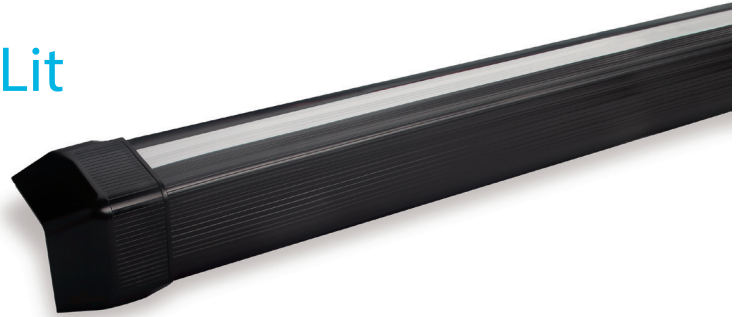


Guardian Series 2300 Non-Lit

NON-LIT STEP NOSE SYSTEM



APPLICATION

Tempo's Guardian Non-Lit Step Nose provides attractive and safe step edge delineation. Solid black or black with 1" wide contrasting stripe options help to delineate the step edge.

The flexible extrusion is designed to create a nose cap that molds to uneven surfaces to ensure a long lasting and structurally sound nose edge. The profile allows the edge of most commercial grade, low pile carpet (1/4" - 3/8") to be easily tucked under the vinyl extrusion on both tread and riser. End caps available for finished appearance on steps with open sides.

LED Lit options also available (see 2300 Lit Step Nose spec).

CONSTRUCTION

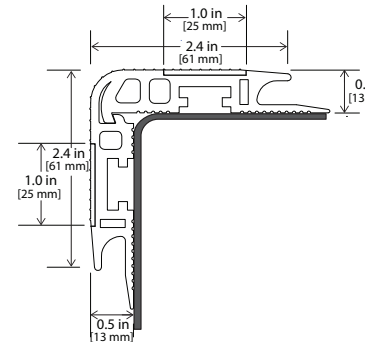
- Made from a durable, flexible extruded vinyl
- Available in solid Black, Black with 1 inch contrasting gray stripes or solid Gray.
- Optional carpet shim allows for carpet thinner than 5/16" thick to be used
- System is available with end caps for a finished appearance

PERFORMANCE

- Molds to uneven surfaces to ensure a long lasting and structurally sound nose edge.
- Design incorporates a "living hinge" to allow the step nose to be installed securely on steps with riser angles of 75 to 90 degree
- Used in conjunction with Tempo SWIII wall lighting and/or Seat Lights to greatly improve visibility of a step edge as well as the aesthetics of the area

SUGGESTED COMPANION PRODUCTS

- Guardian 2300 LED Lit Tread & Riser Step Nose
- SWIII Wall Light
- Seat Light I or II and Round Seat Light



Buy Tempo
Buy American

MADE IN USA
OF US AND IMPORTED COMPONENTS

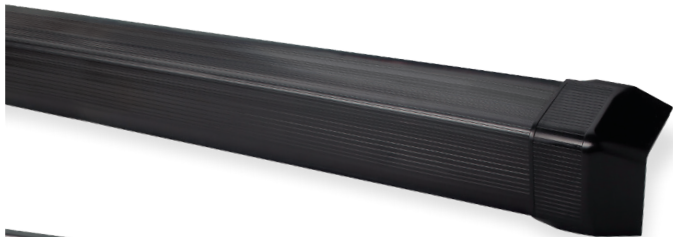
WARRANTY

Tempo provides a 2-year limited warranty.

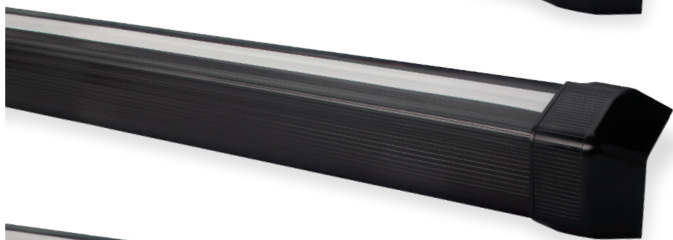


Guardian Series 2300 Non-Lit

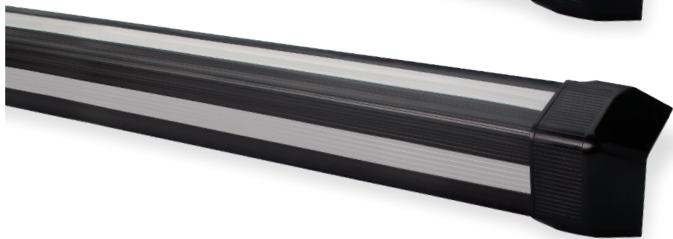
NON-LIT STEP NOSE SYSTEM



SOLID BLACK



BLACK / GRAY STRIPE



BLACK / DUAL GRAY STRIPE

ORDERING INFORMATION

Example: **2300GS-048**

Guardian Non-Lit Step Nose, Black w/ Gray Stripe, 48"

2300			
PLATFORM			
Series	Vinyl Color		Length
23 2300 Series	BK Solid Black	GY Solid Gray	030 - 144 30" min to 144" max
	GS Black / Gray Stripe	DS Black / Dual Gray Stripe	Specify in 6" increments starting from 30"

NOTE:

Step Nose is shipped 2" longer than ordered. Trim to exact finished length of step nose on site.

Guardian Series 2300 Non-Lit

NON-LIT STEP NOSE SYSTEM

SYSTEM INTEGRATION ACCESSORIES

ADHESIVE - Must be purchased from Tempo. 1 tube per 10 ft. of step nose or 50 ft. of raceway.

Adhesive provided is a special formulation designed and tested to ensure Tempo Step and Aisle product is safe and secure.

ADH-BOND-S	Tempo Set & Step Adhesive, 20 Ounce Sausage Pack
ADH-SPREADER	Adhesive Spreader

END CAPS

2300BK-EC	Standard Black End Cap - universal fit for both left and right sides
2300GY-EC	Standard Gray End Cap - universal fit for both left and right sides
GST-EC2-R-BK	Black End Cap; Right - Provides a fitted end feed design for raceway and carpet to floor products
GST-EC2-L-BK	Black End Cap; Left - Provides a fitted end feed design for raceway and carpet to floor products

RACEWAY

LPS-BK-RW-CF-B	LPS Raceway Base, Black, Carpet to Floor, shipped in increments of 8ft
LPS-BK-RW-CC-B	LPS Raceway Base, Black, Carpet to Carpet, shipped in increments of 8ft
LPS-BK-RW-CV-B	LPS Raceway Base, Black, Carpet to VCT/LVT floor covering, shipped in increments of 8ft
LPS-GY-RW-C	LPS Raceway Cover, Gray, 8ft
LPS-BK-RW-C	LPS Raceway Cover, Black, 8ft
LPS-BK-RW-RSR	LPS Raceway for Riser face, 8 inch length (field cut for left or right side of Riser)

RACEWAY J-BOX

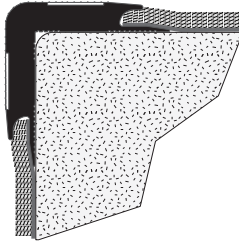
LPS-BK-JBX	LPS Junction Box, Black
LPS-BK-RW-JBX	LPS Inline Raceway Junction Box, Black

WIRING

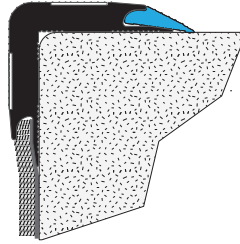
WIR-18TWIST-B/B	Low Voltage Lead Wire - Twisted Pair. Provided in 500 foot rolls.
------------------------	---

MISC

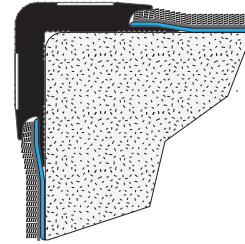
GST-HARPOON	Metal fittings to directly secure step nose sections to another for steps longer than 10 feet. Bag of 24.
LPS-BK-SR	Step Reducer. Use to fill carpet slot of step nose and provide smooth transition to non-carpeted floor. 120ft roll.
SHIM-THINCARPET	Carpet Shim. Use to increase thickness of carpet that is too shallow for carpet slot of step nose. 120ft roll.



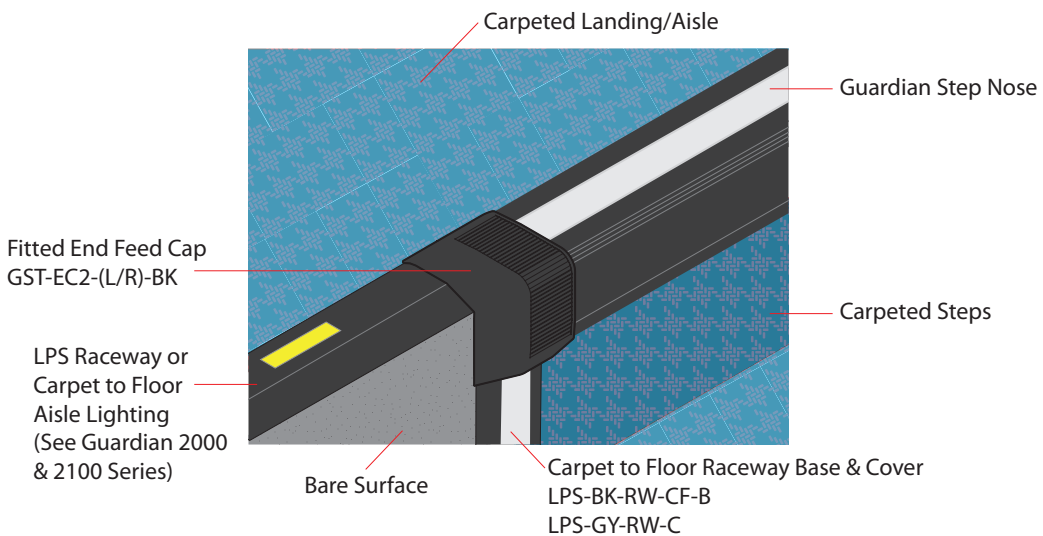
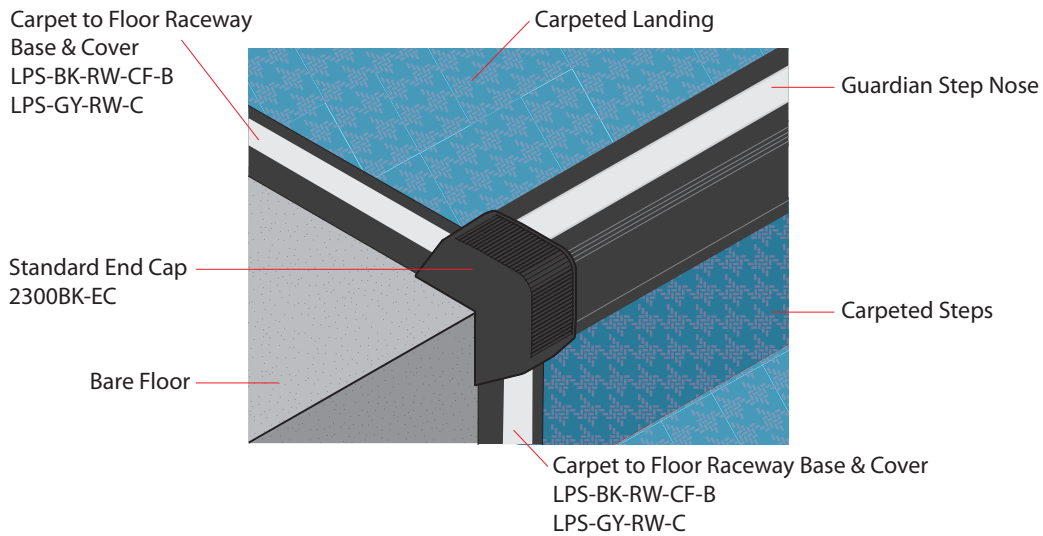
1/4" to 3/8" Carpet tucks into Guardian Step Nose on both Tread and Riser



Step Reducer (LPS-BK-SR) used for transitions to bare floor

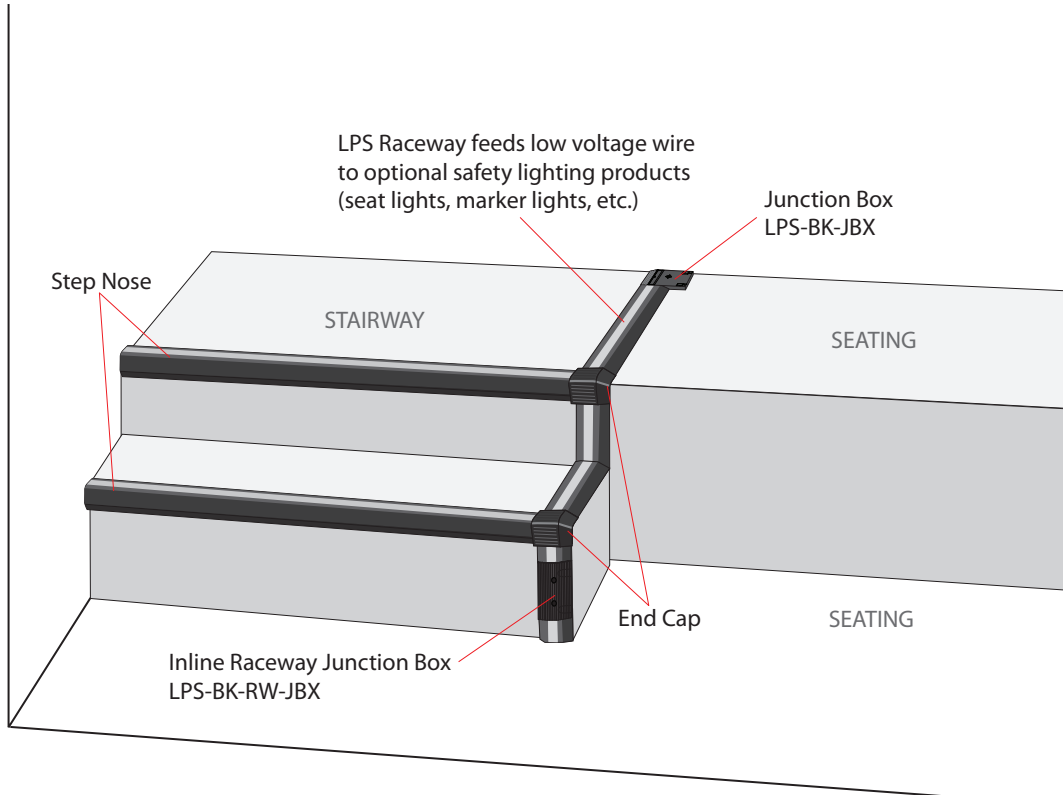


Carpet Shim (SHIM-THINCARPET) allows use of carpet too thin for slots of Guardian Step Nose

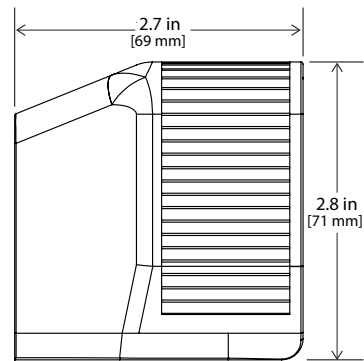
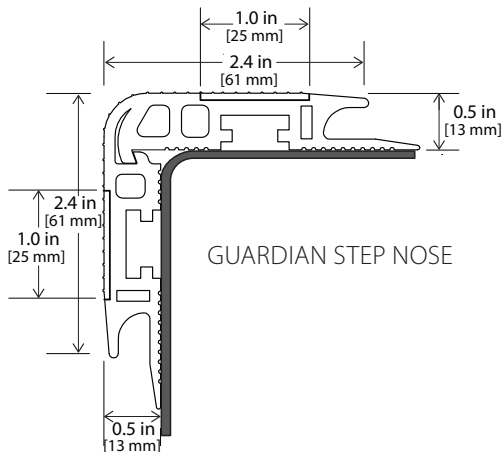


Guardian Series 2300 Non-Lit

NON-LIT STEP NOSE SYSTEM



DIMENSIONAL INFORMATION



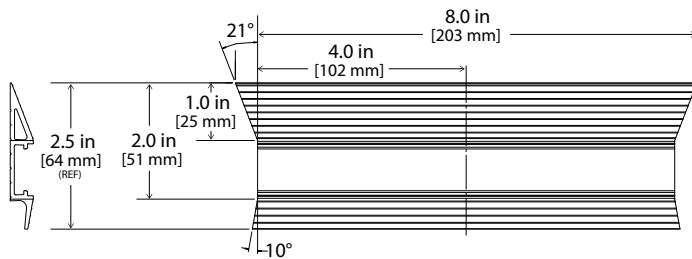
Guardian Series 2300 Non-Lit

NON-LIT STEP NOSE SYSTEM

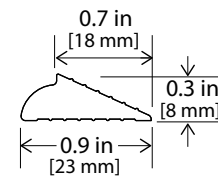
DIMENSIONAL INFORMATION (CONT.)

RACEWAY RISER (LPS-BK-RW-RSR)

Square cut one end for left or right

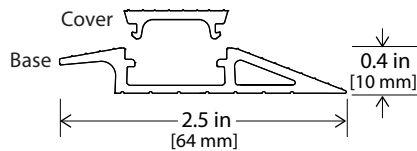


STEP REDUCER (LPS-BK-SR)



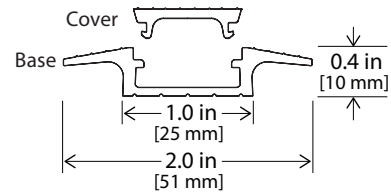
RACEWAY CARPET TO FLOOR BASE (LPS-BK-RW-CF-B)

RACEWAY COVER (LPS-[GY/BK]-RW-C)



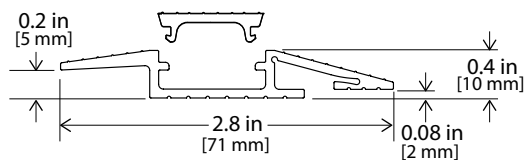
RACEWAY CARPET TO CARPET BASE (LPS-BK-RW-CG-B)

RACEWAY COVER (LPS-[GY/BK]-RW-C)

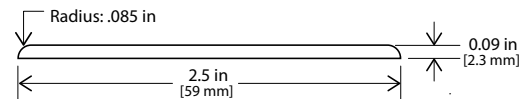


RACEWAY CARPET TO VCT/LVT BASE (LPS-BK-RW-CV-B)

RACEWAY COVER (LPS-[GY/BK]-RW-C)



CARPET SHIM (SHIM-THINCARPET)



APPLICATION

Set&Step™ is a one component, fast grab adhesive designed to secure Tempo floor safety products. The multipurpose elastomeric sealant has high green strength for quick adhesion. When fully cured, this unique VOC compliant formula offers UV stability and a steadfast bond to concrete, wood, metal, painted surfaces, and many other common substrates.

FEATURES & BENEFITS

- Alternative to mechanical fastening
- Black material color to match Tempo products
- High green strength/elastic with fast cure
- Flexible & durable, will not shrink or crack
- Can be sanded & painted
- Adhesion to Kynar[®]
- Odorless & non-corrosive
- VOC compliant
- Contains no solvents or Isocyanates
- Color stability and UV resistant (ASTM G26)
- Non-yellowing/staining
- Resistant to most chemicals

PRODUCT USAGE

- LPS Step Nose (24' per sausage pack)
- LPS Raceway (50' per sausage pack)
- Guardian Step Nose (16' per sausage pack)
- Guardian Aisle CC (60' per sausage pack)
- Guardian Aisle CF (50' per sausage pack)

MEETS SPECIFICATIONS

ASTM C920 Type S, Grade NS, Class 25, Use NT, A, M

PHYSICAL PROPERTIES		TEST METHOD
Cure System	Hybrid, Moisture Cure	
Movement Capability, %	± 25%	ASTM C-719
Modulus	Medium	ASTM D-412
Physical Properties (Cured)	Rubber	
Specific Gravity	1.55	
Extrusion Rate, g/min.	100	ASTM C-1183
1/8" orifice @ 50 psi		Modified
Temperature Range	-75° F to 225° F	
Intermittent Temperature Range	250° F	
Accelerated Weathering (10,000 hrs.)	No Change	AUV Weatherometer
Skin Over Time (min)*	20	MNA Method
Tack Over Time (min)*	35	ASTM C-679
Cure Rate*	1/8" per 24hrs.	MNA Method
Tensile Strength (psi)	287	ASTM D-412
Elongation %	250	ASTM D-412
Durometer Shore A	55	ASTM C-661
Shelf Life (months)	18	
Volatile Organic Content	> 26 gr./litre	

* All properties derived from lab conditions (77°F at 50% relative humidity). Test results are averages obtained under laboratory conditions. Reasonable variations can be expected.

P/N: ADH-BOND-S



Tempo products and technologies are protected under one or more US and International patents.

Tempo reserves the right to change materials or modify the design of its product without notification as part of the company's continuing product improvement program. Please consult www.tempolc.com for the most up-to-date specifications and technical data.