

## CLiP 4X

EXTERIOR IP67 LINEAR LED ACCENT LIGHTING, LOW-POWER  
24VDC REMOTE POWER SYSTEM



### APPLICATION

The CLiP 4X exterior 24V linear LED lighting produces uniform illumination designed to accent and highlight spaces such as small coves and soffits, architectural features, exterior signs, under eaves and millwork. Designed with modular CLiP<sup>®</sup> (Configurable Lighting Platform) technology, CLiP 4X provides options to suit multiple application requirements. Features 100% non-corrosive construction with fully sealed and IP67 housing and connectors. CLiP 4X installs into rigid mounting track for straight runs or serpentine mounting track for curves.

### CONSTRUCTION

- Designed with non-corrosive nylon/fiberglass fill polymeric components. Will not oxidize or corrode in outdoor environments.
- IP67 rated for exterior or interior use.
- Waterproof articulating connectors between sections rotate over 90° to go around corners.
- Plastic surface mount track, 20° angled mount track or optional adjustable mounting bracket with 100° rotation (± 50°) for precise aiming.
- Optional aluminum surface mount track with die cast aluminum rotational brackets or 6" and 12" arms with rotational brackets.
- CSA wet location listed.

### OPTICS / LENS / DIFFUSER

- Clear DR Acrylic Lens (90° x 90°).
- White DR Acrylic Lens for diffusion (90° x 90°).
- 60° x 60° and 45° x 45° Wash optics plus 25° x 38° Narrow optics.
- Optional Polycarbonate lenses with high impact resistance available.

### POWER SYSTEM

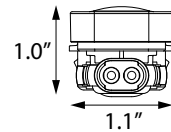
- 24VDC utilizes remote, Class II low voltage 24V Power Supply. Power supplies must be installed in an outdoor rated enclosure (by others) in close proximity to luminaire. Consult factory for guidance.
- Triac dimming to 1%  
0-10V dimming to under 10%  
DMX dimming to 1%

### PERFORMANCE

- CLiP<sup>®</sup> - Configurable Lighting Platform module spacing options of 2" or 3" for specific applications or to reduce total watts per foot.
- 338 lm/ft at 2.5W/ft; 578 lm/ft at 5W/ft.
- Optimal LED spacing in each 6" module for high uniformity illumination between modules.
- Operating temperature range of -40°C to 50°C
- Power Supply Total Harmonic Distortion <20%, Power Factor >0.9

### LIGHT CHARACTERISTICS

- Available in 2000K, 2200K, 2700K, 3000K, 3500K, 4000K, 5000K plus Red, Green and Blue.
- Typical CRI of 80+, 90+ CRI option available with 2700K, 3000K and 3500K selection.
- All LED's are selected and placed on the printed circuit boards via the Tempo UniBin<sup>™</sup> process which ensures consistent hue and color within the entire run. Color variations are held to within a maximum of a 2-step MacAdam ellipse.



**Buy Tempo**  
**Buy American**

**MADE IN USA**  
OF US AND IMPORTED COMPONENTS

### WARRANTY

Tempo provides a 5-year limited warranty.

### 86,000 HOURS

**L85 LUMEN MAINTENANCE**  
LED Luminaires will reach 85% of initial lumen output at or beyond 86,000 hours at 25°C.



Complete Lighting System with Multiple Remote 24VDC Power Supply Options

## CLiP 4X

EXTERIOR IP67 LINEAR LED ACCENT LIGHTING, LOW-POWER  
24VDC REMOTE POWER SYSTEM

### PERFORMANCE SUMMARY

All data nominal. 3500K test data shown.

Watts/ft	2.5	5
Lumens/ft	338	578
Lumens/Watt	135	116

Static Colors

Watts/ft	2.5	5
RED Lumens/ft	83	116
RED Lumens/Watt	33	23
GREEN Lumens/ft	227	318
GREEN Lumens/Watt	91	64
BLUE Lumens/ft	63	88
BLUE Lumens/Watt	25	18

### DRIVER REMOTE DISTANCE

24VDC Driver	Wire Gauge	Maximum Lead Length
	18 AWG	15ft (4.5m)
	16 AWG	25ft (7.5m)
	14 AWG*	40ft (12m)
	12 AWG*	60ft (18m)

\* Terminal blocks on the drivers accept 18AWG or 16AWG wire. To use wire gauges larger than 16AWG connect up to 3 ft of 18AWG or 16AWG, then connect 14AWG or 12AWG with UL approved wire nuts up to the maximum lead length in the above table.

### 24VDC MAXIMUM RUN LENGTHS (2.5W/FT)

24V Driver	Module Spacing	Watts/ft	Max Distance
100W	0"	2.5	40ft
	2"	1.9	52ft
	3"	1.7	58ft
60W	0"	2.5	24ft
	2"	1.9	31ft
	3"	1.7	35ft
40W	0"	2.5	16ft
	2"	1.9	21ft
	3"	1.7	23ft

### 24VDC MAXIMUM RUN LENGTHS (5W/FT)

24V Driver	Module Spacing	Watts/ft	Max Distance
100W	0"	5.0	20ft
	2"	3.8	26ft
	3"	3.3	30ft
60W	0"	5.0	12ft
	2"	3.8	15ft
	3"	3.3	18ft
40W	0"	5.0	8ft
	2"	3.8	10ft
	3"	3.3	12ft

## CLiP 4X

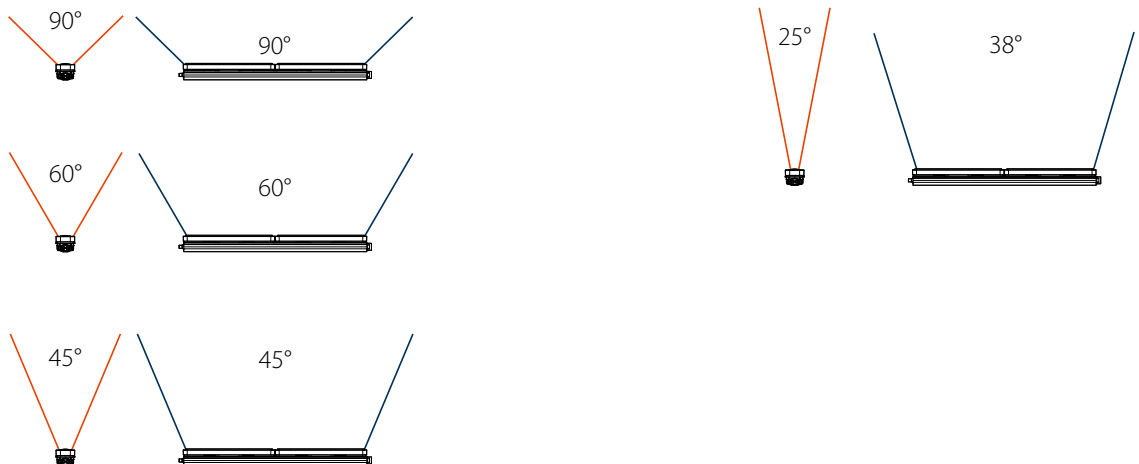
EXTERIOR IP67 LINEAR LED ACCENT LIGHTING, LOW-POWER  
24VDC REMOTE POWER SYSTEM

### ORDERING INFORMATION

Example: **C4X-24DC-CL-0-5-27WH-4** 4ft, C4X Exterior, Clear Acrylic Lens, 5W/ft, 2700K, White

C4X	24DC					WH	
Series	Platform	Optic/Lens/Diffuser	Module Spacing	Watts/Foot	Color Temp	Finish	Fixture Length <sup>1</sup>
	<b>24DC</b> 24V DC	<b>CL</b> Clear DR Acrylic Lens (90° x 90°)	<b>0</b> 0" (Std)	<b>2</b> 2.5W/ft <b>5</b> 5 W/ft	<b>20</b> 2000K <b>22</b> 2200K <b>27</b> 2700K <b>30</b> 3000K <b>35</b> 3500K <b>40</b> 4000K <b>50</b> 5000K <b>RD</b> Red <b>GR</b> Green <b>BL</b> Blue	<b>WH</b> White	
		<b>WH</b> White DR Acrylic Lens (90° x 90° diffused)	<b>2</b> 2"	<b>19</b> 1.9W/ft <b>38</b> 3.8W/ft	<b>27H</b> 2700K High CRI (90+) <b>30H</b> 3000K High CRI (90+) <b>35H</b> 3500K High CRI (90+)		
		<b>6060</b> Clear DR Acrylic Lens + 60° x 60° Optic	<b>3</b> 3"	<b>17</b> 1.7W/ft <b>33</b> 3.3W/ft			
		<b>4545</b> Clear DR Acrylic Lens + 45° x 45° Optic					
		<b>2538</b> Clear DR Acrylic Lens + 25° x 38° Narrow Optic					
		<b>PCL</b> Clear Polycarb Lens (90° x 90°)					
		<b>PWH</b> White Polycarb Lens (90° x 90° diffused)					
		<b>P6060</b> Clear Polycarb Lens + 60° x 60° Optic					
		<b>P4545</b> Clear Polycarb Lens + 45° x 45° Optic					
		<b>P2538</b> Clear Polycarb Lens + 25° x 38° Narrow Optic					

(1) Fixture length measured in feet with maximum of 6 feet per run. 6 inch "Caboose" also available - enter .5 for 6 inch fixture.



## CLiP 4X

EXTERIOR IP67 LINEAR LED ACCENT LIGHTING, LOW-POWER  
24VDC REMOTE POWER SYSTEM

### SYSTEM INTEGRATION ACCESSORIES

POWER SUPPLIES - 24V Output		
Requires approved outdoor rated enclosure (by others) in close proximity to luminaire. See Driver Remote Distance chart.		
	<b>PWR-120-EM-040-T</b>	120V AC Input, 24V DC Output, 40W, Triac Dimming (dim to 1%) Lutron Hi-lume 1% 2-wire LED driver, 120V forward phase; 3.0"W x 1.0"H x 4.9"L
	<b>PWR-120-EM-040-T-1</b>	120V AC Input, 24V DC Output, 40W, Triac Dimming (dim to 1%) Lutron Hi-lume 1% 2-wire LED driver, 120V forward phase; 1.2"W x 1.0"H x 14.25"L
	<b>PWR-120-EM-100-T</b>	120V AC Input, 24V DC Output, 100W, Phase Dimming Triac & ELV; 3.0"W x 1.7"H x 9.9"L
	<b>PWR-UNV-EM-100-T-JB</b>	120V AC Input, 24V DC Output, 100W, Phase Dimming Triac & ELV, Integral AC/DC J-Box; 3"W x 1.7"H x 14"L
	<b>PWR-UNV-EM-96-DMX</b>	120-277V AC Input, 24V DC Output, 96W, DMX Dimming; 2.5"W x 1.25"H x 9.6"L
	<b>PWR-UNV-EM-060</b>	120-277V AC Input, 24V DC Output, 60W, Non-Dimming; 1.7"W x 1.2"H x 9.5"L
	<b>PWR-UNV-EM-100</b>	120-277V AC Input, 24V DC Output, 100W, Non-Dimming; 1.7"W x 1.2"H x 9.5"L
	<b>PWR-UNV-EM-100-Z</b>	120-277V AC Input, 24V DC Output, 100W, 0-10V Dimming (dim to under 10%); 1.9"W x 1.3"H x 9.2"L
	<b>PWR-UNV-EM-100-Z-JB</b>	Plenum Rated J-Box Driver, 120-277V AC Input, 24V DC Output, 100W, 0-10V Dimming (dim to under 10%); 2.5"W x 1.7"H x 12.4"L

SURGE SUPPRESSION DEVICE		
A Tempo furnished surge suppression device must be installed on each supplying branch circuit to comply with Tempo's 5-year warranty terms		
	<b>SSD-120</b>	120V Branch Circuit
	<b>SSD-277</b>	277V Branch Circuit

POWER FEED CABLES Additional lengths available, contact factory		
	<b>PFC4X-F-24-36</b>	IP67 Female Connector, 24V, 36 inches

JUMPER FEED CABLES Additional lengths available, contact factory		
	<b>JFC4X-MF-24-18</b>	IP67 Male/Female Connector, 24V, 18 inches

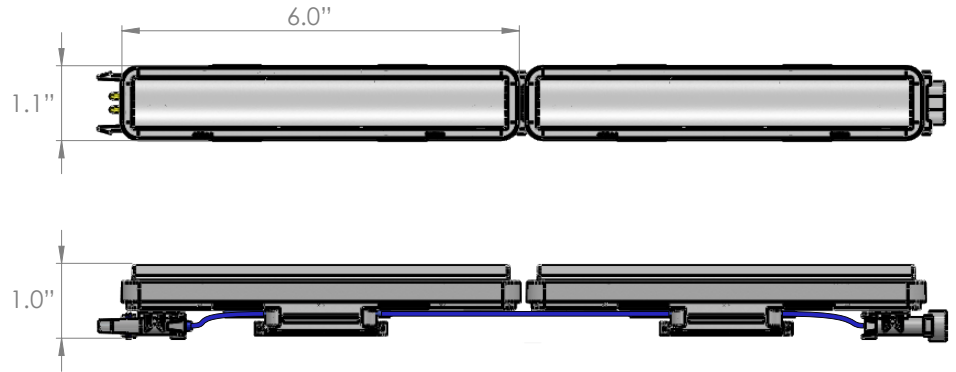
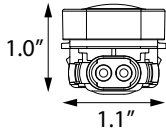
MOUNTING HARDWARE		
	<b>C4XA-RMTG-WH</b>	6 foot Rigid mounting track, extruded plastic, white
	<b>C4XA-RMTG-20-WH</b>	6 foot Rigid mounting track, 20° angle, extruded plastic, white
	<b>C4XA-ADJ-WH</b>	Pack of 6 Adjustable mounting brackets, 100° rotation (± 50°), white (must use with C4XA-RMTG-WH track; 18" max spacing)
	<b>C4XA-SMTG-WH</b>	Pack of 6 Serpentine ball & joint mounting tracks, 6" each = 3 feet, nylon/fiberglass fill molded plastic, white Rotation every 6" for curves, convex and concave applications (SPECIAL ORDER ITEM - CONSULT FACTORY)
	<b>ADH-BOND-S</b>	20oz sausage pack Tempo Set & Step all weather adhesive for mounting tracks when screw mounting is not an option. Adheres to concrete, stone, marble, metal and many other common substrates.
	<b>C4XA-RMTG-AL-(xxx)</b>	6 foot rigid aluminum mounting track, (-WHM = white marine grade finish; -BKM = black marine grade finish)
	<b>C4XA-PAX-(xxx)</b>	+/- 90° aluminum adjustable mounting bracket, (-WHM = white marine grade finish; -BKM = black marine grade finish)
	<b>C4XA-PAX-6-(xxx)</b>	6" long, +/- 90° aluminum adjustable mounting bracket, (-WHM = white marine grade finish; -BKM = black marine grade finish)
	<b>C4XA-PAX-12-(xxx)</b>	12" long, +/- 90° aluminum adjustable mounting bracket, (-WHM = white marine grade finish; -BKM = black marine grade finish)



## CLiP 4X

EXTERIOR IP67 LINEAR LED ACCENT LIGHTING, LOW-POWER  
24VDC REMOTE POWER SYSTEM

### DIMENSIONAL INFORMATION



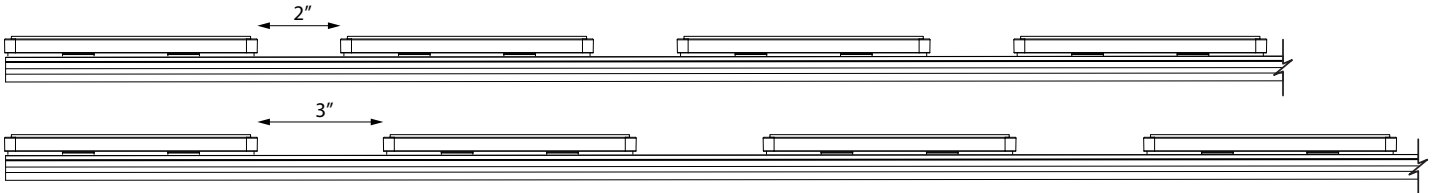
AVAILABLE IN 1 TO 6 FOOT SECTIONS IN 1 FOOT INCREMENTS



6 INCH "CABOOSE" AVAILABLE



### EXTENDED MODULE SPACING OF 2 OR 3 INCHES AVAILABLE\*

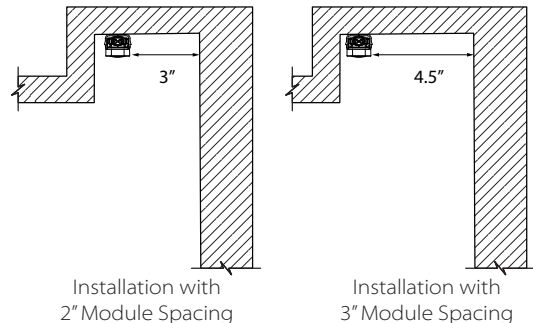


\*Extended module spacing saves on total wattage and total cost of runs. Only recommended for coves, soffits and other applications that allow for extra space between linear runs and the wall or background surface. However, every application is different - please consult factory for help specifying the correct module spacing. Module spacing of 1" is not an option with C4X.

Generally a 1:1.5 ratio is recommended to prevent scalloping effects:

2" spacing requires runs to be 3.0" from wall

3" spacing requires runs to be 4.5" from wall

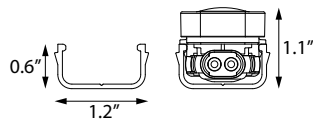


## CLiP 4X

EXTERIOR IP67 LINEAR LED ACCENT LIGHTING, LOW-POWER  
24VDC REMOTE POWER SYSTEM

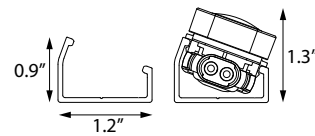
### PLASTIC MOUNTING HARDWARE

#### RIGID MOUNTING TRACK C4XA-RMTG-WH



Sold in 6 Foot Lengths

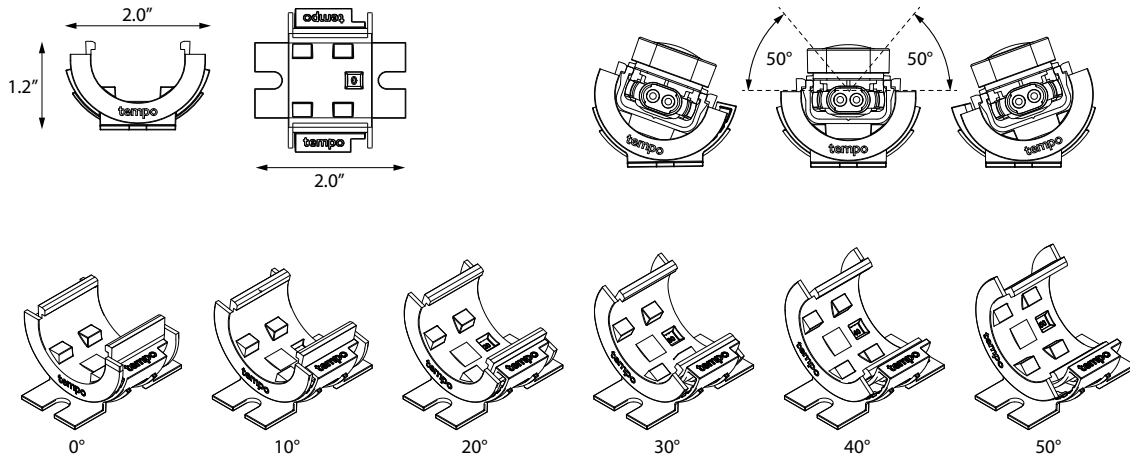
#### 20° ANGLE RIGID MOUNTING TRACK C4XA-RMTG-20-WH



Sold in 6 Foot Lengths

#### 100° ROTATION ADJUSTABLE MOUNTING BRACKET (for use with rigid mounting track only)

#### C4XA-ADJ-WH



Pressure locks in place every 10°

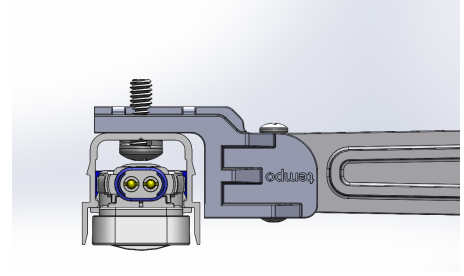


18" Max

Recommended spacing every 15" to 18" max

## CLiP 4X

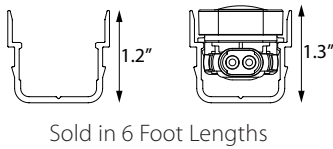
EXTERIOR IP67 LINEAR LED ACCENT LIGHTING, LOW-POWER  
24VDC REMOTE POWER SYSTEM



### ALUMINUM MOUNTING HARDWARE

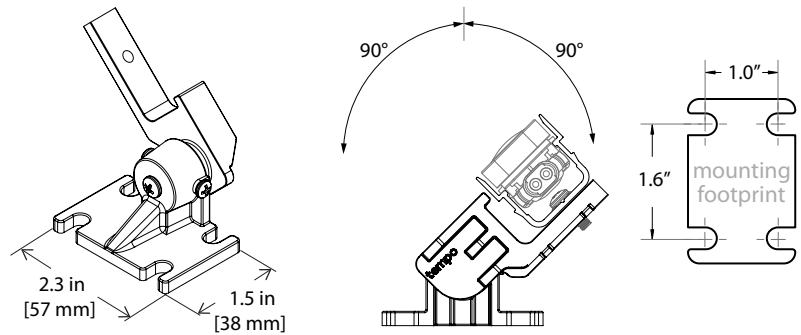
#### ALUMINUM RIGID MOUNTING TRACK

C4XA-RMTG-AL-xxx



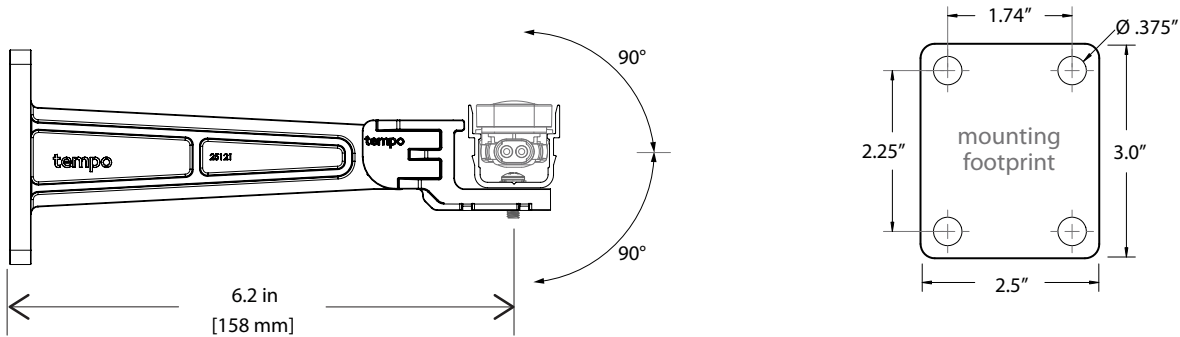
#### ALUMINUM SURFACE ROTATIONAL MOUNT

C4XA-PAX-xxx



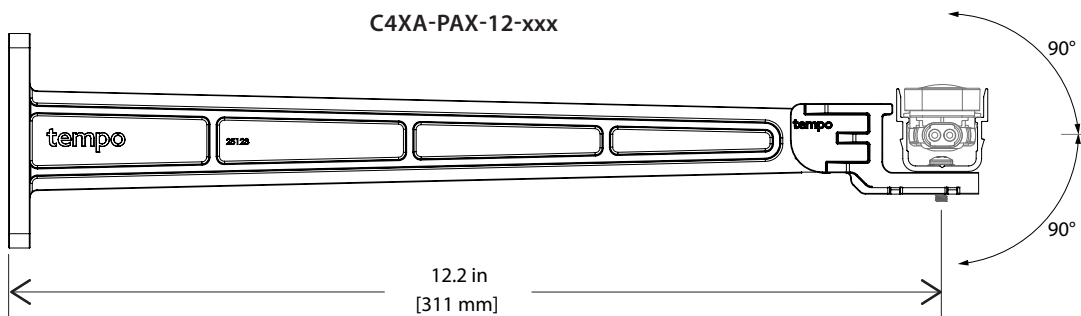
#### ALUMINUM 6" ARM ROTATIONAL MOUNT

C4XA-PAX-6-xxx



#### ALUMINUM 12" ARM ROTATIONAL MOUNT

C4XA-PAX-12-xxx



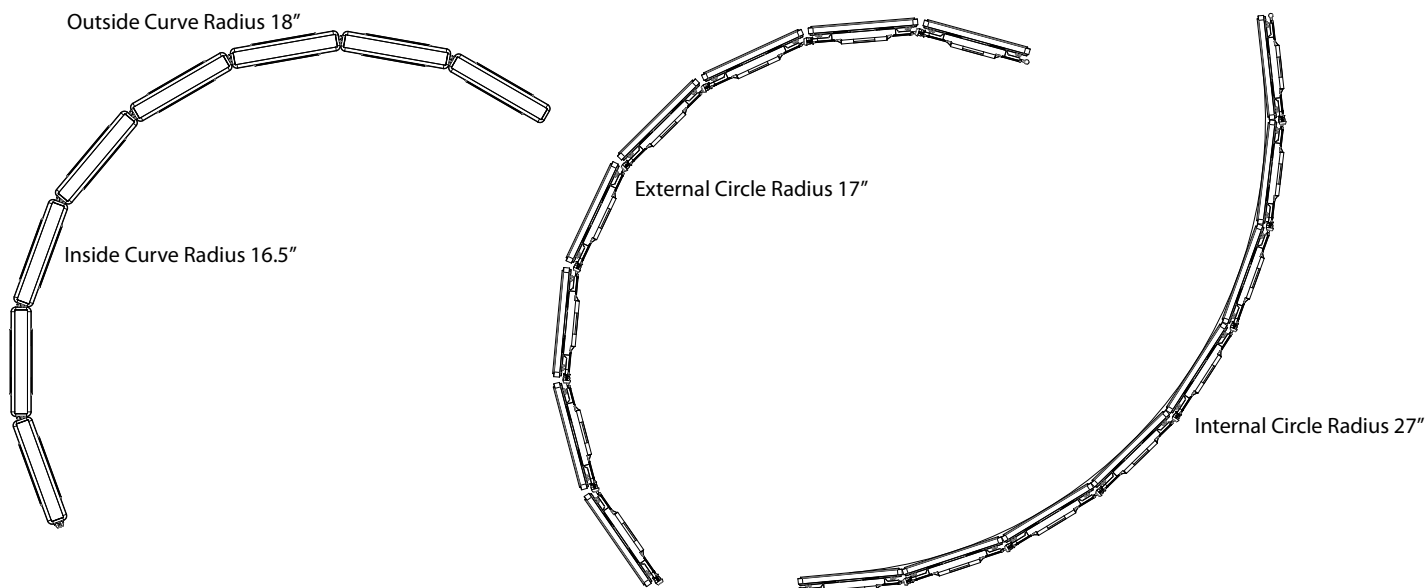
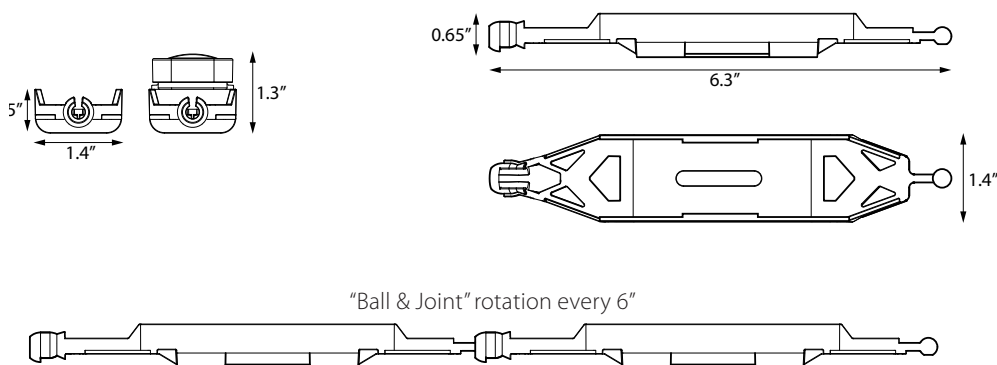
## CLiP 4X

EXTERIOR IP67 LINEAR LED ACCENT LIGHTING, LOW-POWER  
24VDC REMOTE POWER SYSTEM



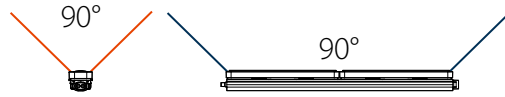
### SERPENTINE MOUNTING TRACK

(SPECIAL ORDER ITEM - CONSULT FACTORY)

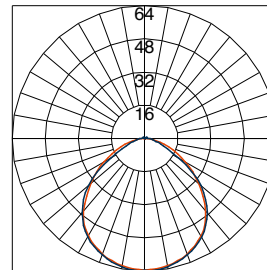




CL No Optics (2.5W/ft)

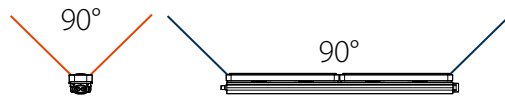


Polar Candela Distribution  
CLiP 4X; 3500K; 2.5W/ft; 90° x 90° (CL)

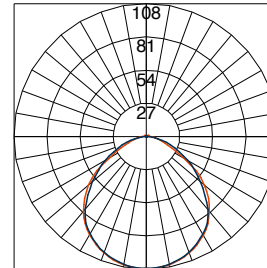


■ V Plane thru H Angles (0 - 180)  
■ V Plane thru H Angles (90 - 270)

CL No Optics (5W/ft)

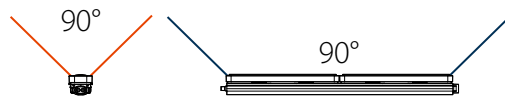


Polar Candela Distribution  
CLiP 4X; 3500K; 5W/ft; 90° x 90° (CL)

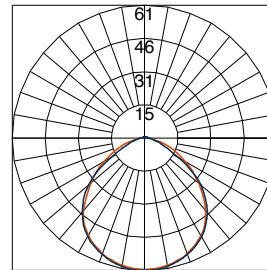


■ V Plane thru H Angles (0 - 180)  
■ V Plane thru H Angles (90 - 270)

WL Diffused (2.5W/ft)

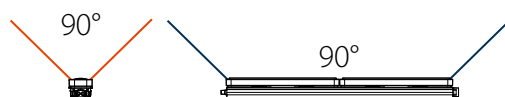


Polar Candela Distribution  
CLiP 4X; 3500K; 2.5W/ft; 90° x 90° (WL)

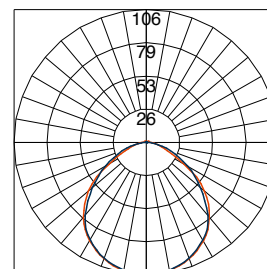


■ V Plane thru H Angles (0 - 180)  
■ V Plane thru H Angles (90 - 270)

WL Diffused (5W/ft)

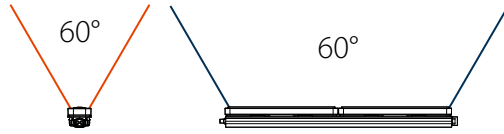


Polar Candela Distribution  
CLiP 4X; 3500K; 5W/ft; 90° x 90° (WL)

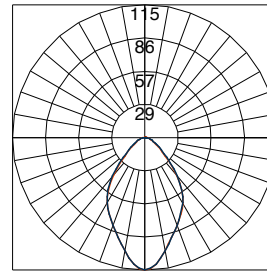


■ V Plane thru H Angles (0 - 180)  
■ V Plane thru H Angles (90 - 270)

60° x 60° Optics (2.5W/ft)

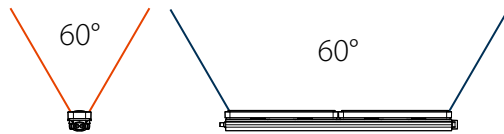


Polar Candela Distribution  
CLiP 4X; 3500K; 2.5W/ft; 60° x 60°

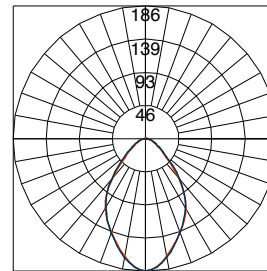


■ V Plane thru H Angles (0 - 180)  
■ V Plane thru H Angles (90 - 270)

60° x 60° Optics (5W/ft)

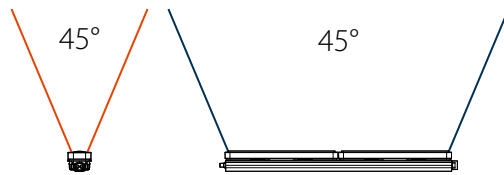


Polar Candela Distribution  
CLiP 4X; 3500K; 5W/ft; 60° x 60°

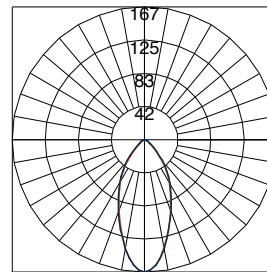


■ V Plane thru H Angles (0 - 180)  
■ V Plane thru H Angles (90 - 270)

45° x 45° Optics (2.5W/ft)

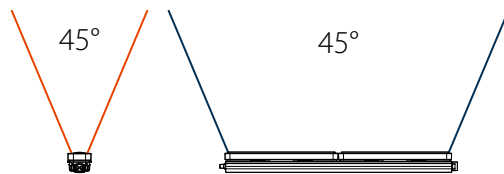


Polar Candela Distribution  
CLiP 4X; 3500K; 2.5W/ft; 45° x 45°

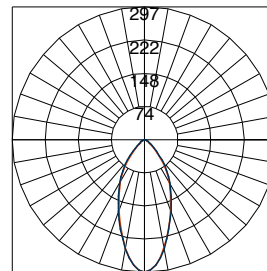


■ V Plane thru H Angles (0 - 180)  
■ V Plane thru H Angles (90 - 270)

45° x 45° Optics (5W/ft)

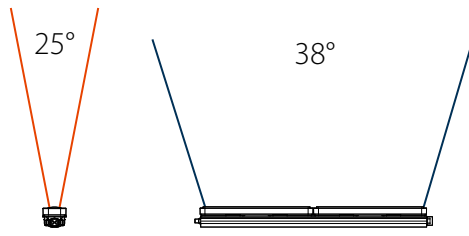


Polar Candela Distribution  
CLiP 4X; 3500K; 5W/ft; 45° x 45°

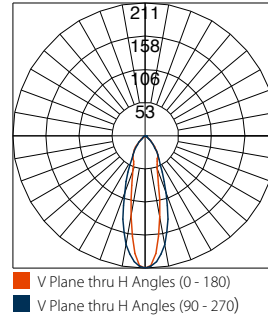


■ V Plane thru H Angles (0 - 180)  
■ V Plane thru H Angles (90 - 270)

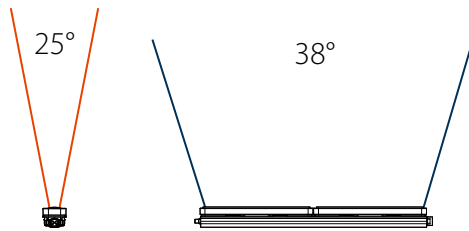
25° x 38° Optics (2.5W/ft)



Polar Candela Distribution  
CLiP 4X; 3500K; 2.5W/ft; 25° x 38°



25° x 38° Optics (5W/ft)



Polar Candela Distribution  
CLiP 4X; 3500K; 5W/ft; 25° x 38°

