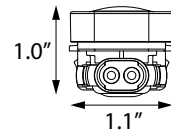


CLiP 4X 24VAC

EXTERIOR IP67 LINEAR LED ACCENT LIGHTING, LOW-POWER
24VAC REMOTE POWER SYSTEM



Buy Tempo
Buy American



WARRANTY
Tempo provides a 5-year limited warranty.

86,000 HOURS
L85 LUMEN MAINTENANCE
LED Luminaires will reach 85% of initial lumen output at or beyond 86,000 hours at 25°C.



APPLICATION

The CLiP 4X exterior 24V linear LED lighting produces uniform illumination designed to accent and highlight spaces such as small coves and soffits, architectural features, exterior signs, under eaves and millwork. Complete system with exterior rated 24VAC magnetic transformers provide longer runs than DC version. Designed with modular CLiP[®] (Configurable Lighting Platform) technology, CLiP 4X provides options to suit multiple application requirements. Features 100% non-corrosive construction with fully sealed and IP67 housing and connectors. CLiP 4X installs into rigid mounting track for straight runs or serpentine mounting track for curves.

CONSTRUCTION

- Designed with non-corrosive nylon/fiberglass fill polymeric components. Will not oxidize or corrode in outdoor environments.
- IP67 rated for exterior or interior use.
- Waterproof articulating connectors between sections rotate over 90° to go around corners.
- Plastic surface mount track, 20° angled mount track or optional adjustable mounting bracket with 100° rotation (± 50°) for precise aiming.
- Optional aluminum surface mount track with die cast aluminum rotational brackets or 6" and 12" arms with rotational brackets.
- CSA wet location listed.

OPTICS / LENS / DIFFUSER

- Clear DR Acrylic Lens (90° x 90°).
- White DR Acrylic Lens for diffusion (90° x 90°).
- 60° x 60° and 45° x 45° Wash optics plus 25° x 38° Narrow optics.
- Optional Polycarbonate lenses with high impact resistance available.

POWER SYSTEM

- Remote Class 2 magnetic low voltage 24VAC Transformers. NEMA 3R enclosures suitable for outdoor use. Certified to UL Standards 2108 and 1838.
- Fully dimmable with Low-Voltage Magnetic dimmer.

PERFORMANCE

- CLiP[®] - Configurable Lighting Platform module spacing options of 2" or 3" for specific applications or to reduce total watts per foot.
- 338 lm/ft at 2.5W/ft; 578 lm/ft at 5W/ft.
- Optimal LED spacing in each 6" module for high uniformity illumination between modules.
- Operating temperature range of -40°C to 50°C
- Power Supply Total Harmonic Distortion <20%, Power Factor >0.9

LIGHT CHARACTERISTICS

- Available in 2000K, 2200K, 2700K, 3000K, 3500K, 4000K, 5000K plus Red, Green and Blue.
- Typical CRI of 80+, 90+ CRI option available with 2700K, 3000K and 3500K selection.
- All LED's are selected and placed on the printed circuit boards via the Tempo UniBin™ process which ensures consistent hue and color within the entire run. Color variations are held to within a maximum of a 2-step MacAdam ellipse.



Complete Lighting System with Outdoor Rated Class 2
Magnetic Low Voltage 24VAC Transformers

CLiP 4X 24VAC

EXTERIOR IP67 LINEAR LED ACCENT LIGHTING, LOW-POWER
24VAC REMOTE POWER SYSTEM

PERFORMANCE SUMMARY

All data nominal. 3500K test data shown.

Watts/ft	2.5	5
Lumens/ft	338	578
Lumens/Watt	135	116

Static Colors

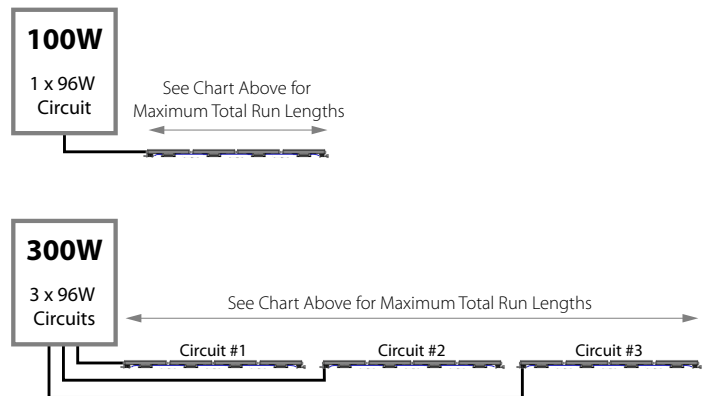
Watts/ft	2.5	5
RED Lumens/ft	83	116
RED Lumens/Watt	33	23
GREEN Lumens/ft	227	318
GREEN Lumens/Watt	91	64
BLUE Lumens/ft	63	88
BLUE Lumens/Watt	25	18

2.5W/FT MAXIMUM RUN LENGTHS

24VAC	Module Spacing	Watts/ft	Max Distance
100W (1 x 96W Circuit)	0"	2.5	38ft
	2"	1.9	50ft
	3"	1.7	56ft
300W (3 x 96W Circuits)	0"	2.5	114ft
	2"	1.9	150ft
	3"	1.7	168ft

5W/FT MAXIMUM RUN LENGTHS

24VAC	Module Spacing	Watts/ft	Max Distance
100W (1 x 96W Circuit)	0"	5.0	19ft
	2"	3.8	25ft
	3"	3.3	29ft
300W (3 x 96W Circuits)	0"	5.0	57ft
	2"	3.8	75ft
	3"	3.3	87ft



CLiP 4X 24VAC

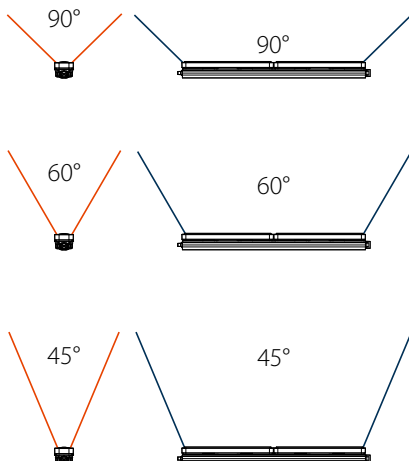
EXTERIOR IP67 LINEAR LED ACCENT LIGHTING, LOW-POWER
24VAC REMOTE POWER SYSTEM

ORDERING INFORMATION

Example: C4X-24AC-CL-0-5-27WH-4 4ft, C4X Exterior 24VAC, Clear Acrylic Lens, 5W/ft, 2700K, White

C4X	24AC					WH	
Series	Platform	Optic/Lens/Diffuser	Module Spacing	Watts/Foot	Color Temp	Finish	Fixture Length ¹
	24AC 24V AC	CL Clear DR Acrylic Lens (90° x 90°)	0 0" (Std)	2 2.5W/ft 5 5 W/ft	20 2000K 22 2200K 27 2700K 30 3000K 35 3500K 40 4000K 50 5000K RD Red GR Green BL Blue	WH White	
		WH White DR Acrylic Lens (90° x 90° diffused)	2 2"	19 1.9 W/ft 38 3.8W/ft	27H 2700K High CRI (90+) 30H 3000K High CRI (90+) 35H 3500K High CRI (90+)		
		6060 Clear DR Acrylic Lens + 60° x 60° Optic	3 3"	17 1.7W/ft 33 3.3W/ft			
		4545 Clear DR Acrylic Lens + 45° x 45° Optic					
		2538 Clear DR Acrylic Lens + 25° x 38° Narrow Optic					
		PCL Clear Polycarb Lens (90° x 90°)					
		PWH White Polycarb Lens (90° x 90° diffused)					
		P6060 Clear Polycarb Lens + 60° x 60° Optic					
		P4545 Clear Polycarb Lens + 45° x 45° Optic					
		P2538 Clear Polycarb Lens + 25° x 38° Narrow Optic					

(1) Fixture length measured in feet with maximum of 6 feet per run. 6 inch "Caboose" also available - enter .5 for 6 inch fixture.



24VAC OUTPUT TRANSFORMER SPECIFICATIONS



- Suitable for indoor or outdoor locations.
- 1/8" steel, powder coated NEMA 3R case.
- 96 watt max Class 2 Listed output per circuit.
- Primary line voltage hard wire - must be installed by certified electrician.
- Built in the USA to the Highest Standards.
- Mandatory secondary protection as stated in the

- National Electric Code Article 411, (1993, 1996, 1999, 2002, 2005 and 2008).
- Meets or exceeds all UL, CUL, ANSI/UL, CSA Requirements.
- Listed to the newest UL Standards 2108 and 1838.
- Fully dimmable with low-voltage magnetic dimmers.

	120V / 100W	120V / 300W	277V / 100W	277V / 300W
PART NUMBER	PWR-T0100-24-120	PWR-T0300-24-120	PWR-T0100-24-277	PWR-T0300-24-277
PRIMARY VOLTAGE	120VAC - 1A MAX	120VAC - 2.75A MAX	277VAC - 1A MAX	277VAC - 1.2A MAX
OUTPUT VOLTAGE	24VAC - 4.2A MAX	24VAC - 12.5A MAX	24VAC - 4.2A MAX	24VAC - 12.5A MAX
OUTPUT WATTAGE	96W	3 X 96W	96W	3 X 96W
BREAKERS	1 X 4A	3 X 4A	1 X 5A	3 X 5A
FREQUENCY	60 Hz	60 Hz	60 Hz	60 Hz
WEIGHT	10 LBS	13 LBS	10 LBS	13 LBS
DIMENSIONS	6.75" (h) X 5" (w) X 4.5" (d)	6.75" (h) X 5" (w) X 4.5" (d)	6.75" (h) X 5" (w) X 4.5" (d)	6.75" (h) X 5" (w) X 4.5" (d)

SYSTEM INTEGRATION ACCESSORIES

SURGE SUPPRESSION DEVICE Tempo furnished surge suppression device must be installed on each supplying branch circuit to comply with 5-year warranty.

SSD-120	120V Branch Circuit
SSD-277	277V Branch Circuit

POWER FEED CABLES Additional lengths available, contact factory

PFC4X-F-24-36	IP67 Female Connector, 24V, 36 inches
----------------------	---------------------------------------

JUMPER FEED CABLES Additional lengths available, contact factory

JFC4X-MF-24-18	IP67 Male/Female Connector, 24V, 18 inches
-----------------------	--

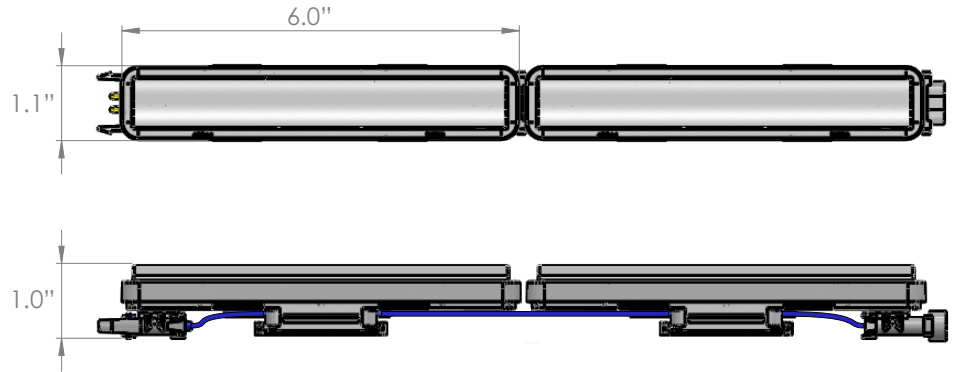
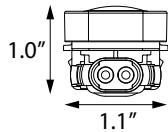
MOUNTING HARDWARE

C4XA-RMTG-WH	6 foot Rigid mounting track, extruded plastic, white
C4XA-RMTG-20-WH	6 foot Rigid mounting track, 20° angle, extruded plastic, white
C4XA-ADJ-WH	Pack of 6 Adjustable mounting brackets, 100° rotation (± 50°), white (must use with C4XA-RMTG-WH track; 18" max spacing)
C4XA-SMTG-WH	Pack of 6 Serpentine ball & joint mounting tracks, 6" each = 3 feet, nylon/fiberglass fill molded plastic, white Rotation every 6" for curves, convex and concave applications (SPECIAL ORDER ITEM - CONSULT FACTORY)
ADH-BOND-S	20oz sausage pack Tempo Set & Step all weather adhesive for mounting tracks when screw mounting is not an option. Adheres to concrete, stone, marble, metal and many other common substrates.
C4XA-RMTG-AL-(xxx)	6 foot rigid aluminum mounting track, (-WHM = white marine grade finish; -BKM = black marine grade finish)
C4XA-PAX-(xxx)	+/- 90° aluminum adjustable mounting bracket, (-WHM = white marine grade finish; -BKM = black marine grade finish)
C4XA-PAX-6-(xxx)	6" long, +/- 90° aluminum adjustable mounting bracket, (-WHM = white marine grade finish; -BKM = black marine grade finish)
C4XA-PAX-12-(xxx)	12" long, +/- 90° aluminum adjustable mounting bracket, (-WHM = white marine grade finish; -BKM = black marine grade finish)

CLIP 4X 24VAC

EXTERIOR IP67 LINEAR LED ACCENT LIGHTING, LOW-POWER
24VAC REMOTE POWER SYSTEM

DIMENSIONAL INFORMATION



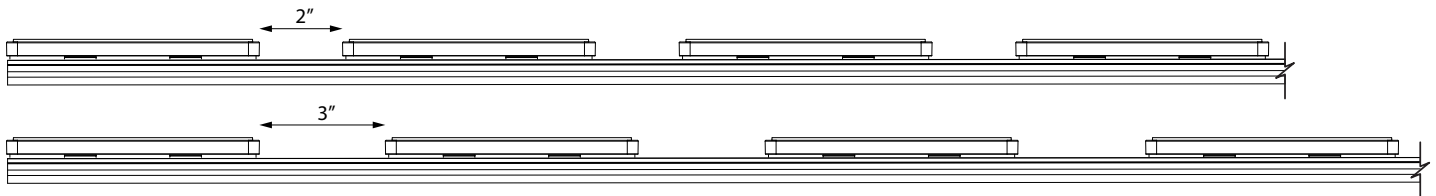
AVAILABLE IN 1 TO 6 FOOT SECTIONS IN 1 FOOT INCREMENTS



6 INCH "CABOOSE" AVAILABLE



EXTENDED MODULE SPACING OF 2 OR 3 INCHES AVAILABLE*

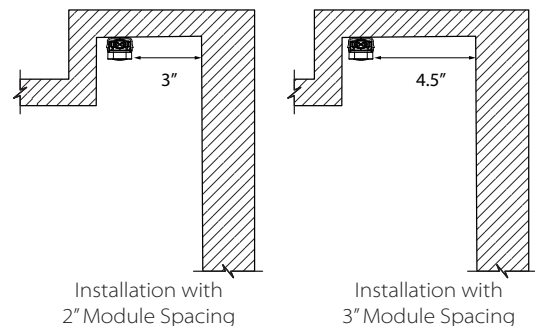


*Extended module spacing saves on total wattage and total cost of runs. Only recommended for coves, soffits and other applications that allow for extra space between linear runs and the wall or background surface. However, every application is different - please consult factory for help specifying the correct module spacing. Module spacing of 1" is not an option with C4X.

Generally a 1:1.5 ratio is recommended to prevent scalloping effects:

2" spacing requires runs to be 3.0" from wall

3" spacing requires runs to be 4.5" from wall

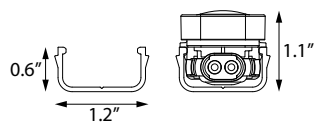


CLIP 4X 24VAC

EXTERIOR IP67 LINEAR LED ACCENT LIGHTING, LOW-POWER
24VAC REMOTE POWER SYSTEM

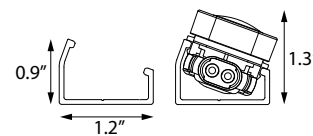
PLASTIC MOUNTING HARDWARE

RIGID MOUNTING TRACK C4XA-RMTG-WH



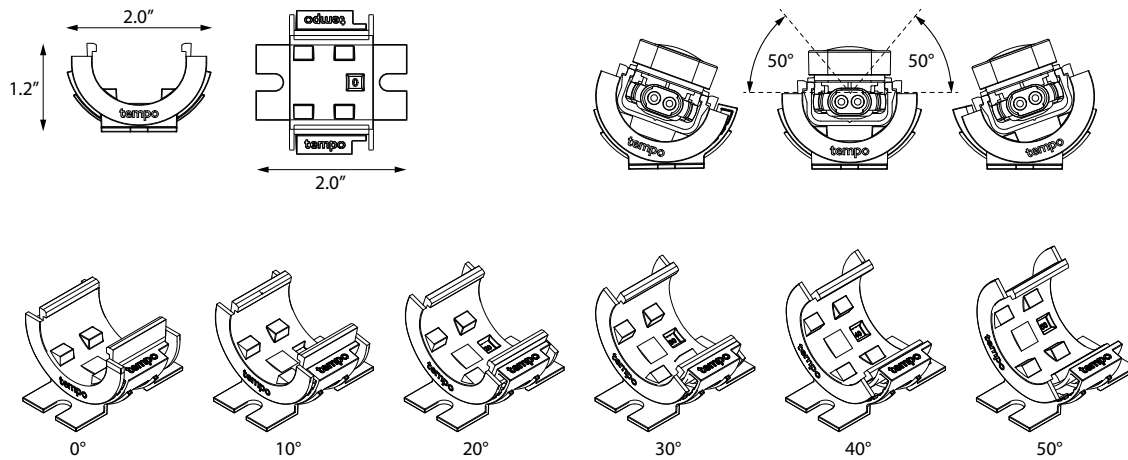
Sold in 6 Foot Lengths

20° ANGLE RIGID MOUNTING TRACK C4XA-RMTG-20-WH



Sold in 6 Foot Lengths

100° ROTATION ADJUSTABLE MOUNTING BRACKET (for use with rigid mounting track only) C4XA-ADJ-WH



Pressure locks in place every 10°

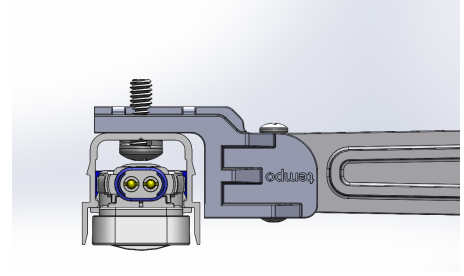


18" Max

Recommended spacing every 15" to 18" max

CLiP 4X

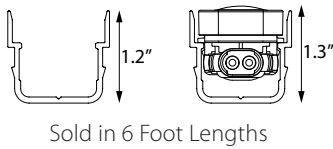
EXTERIOR IP67 LINEAR LED ACCENT LIGHTING, LOW-POWER
24VDC REMOTE POWER SYSTEM



ALUMINUM MOUNTING HARDWARE

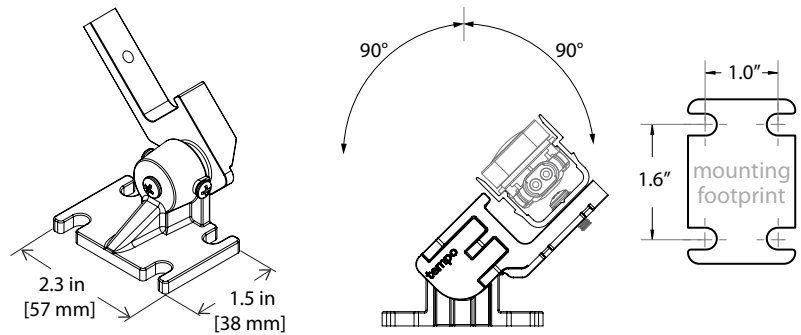
ALUMINUM RIGID MOUNTING TRACK

C4XA-RMTG-AL-xxx



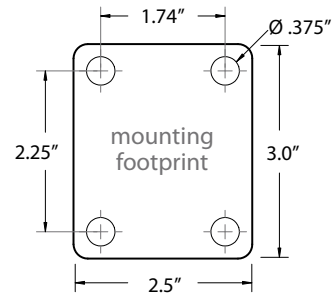
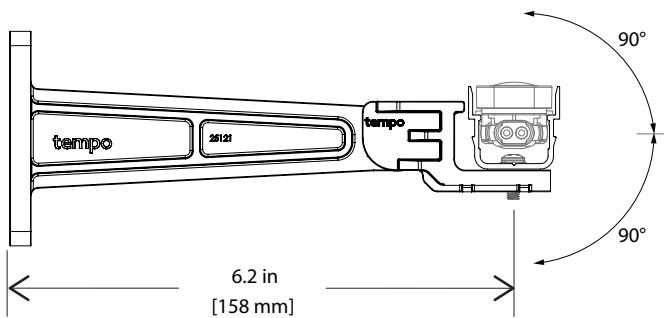
ALUMINUM SURFACE ROTATIONAL MOUNT

C4XA-PAX-xxx



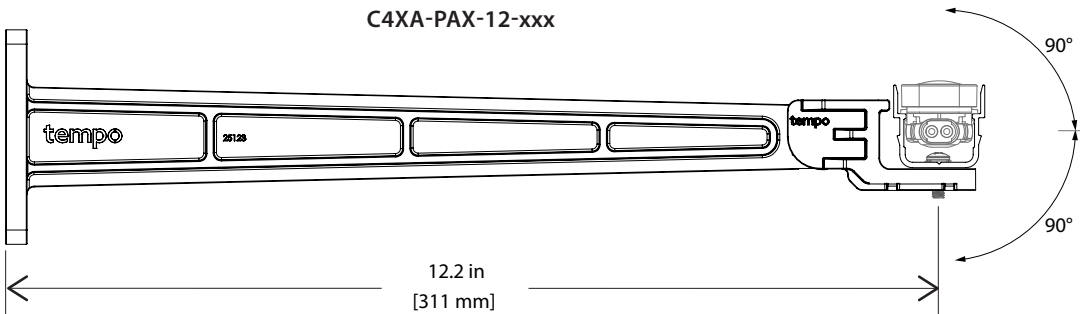
ALUMINUM 6" ARM ROTATIONAL MOUNT

C4XA-PAX-6-xxx



ALUMINUM 12" ARM ROTATIONAL MOUNT

C4XA-PAX-12-xxx



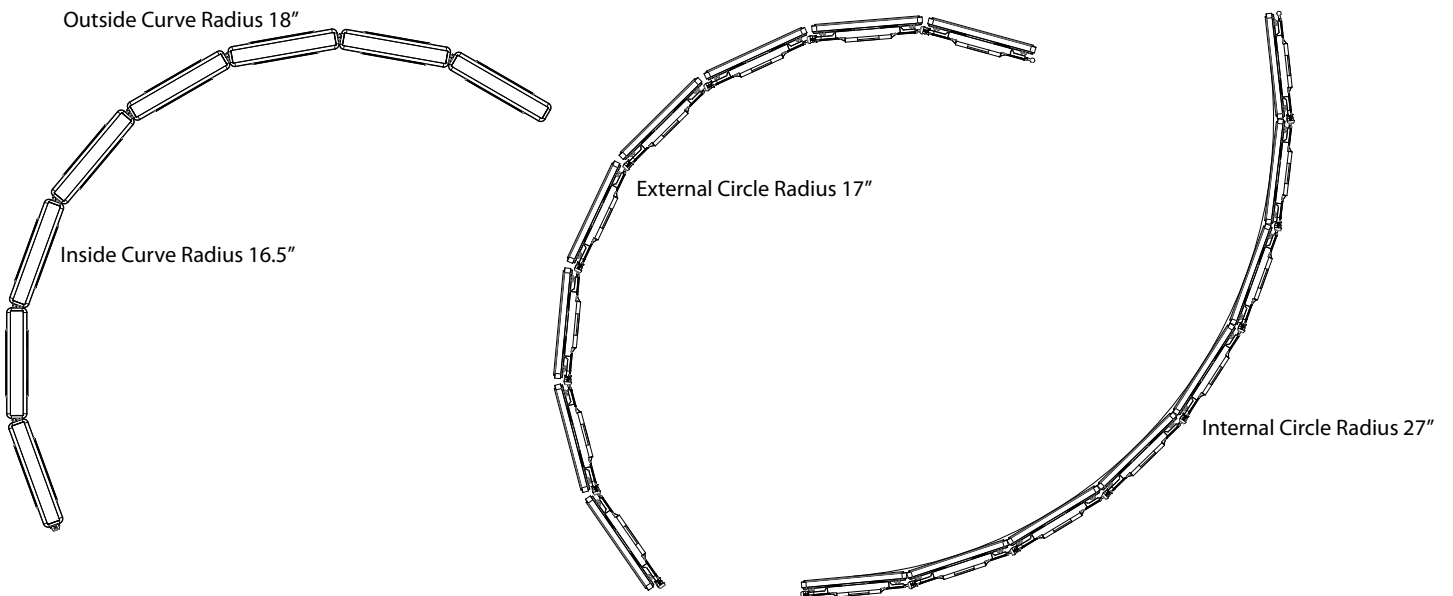
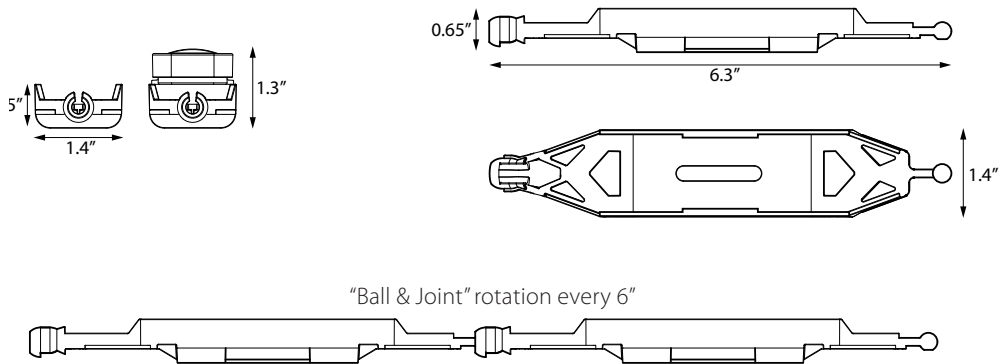
CLiP 4X 24VAC

EXTERIOR IP67 LINEAR LED ACCENT LIGHTING, LOW-POWER
24VAC REMOTE POWER SYSTEM

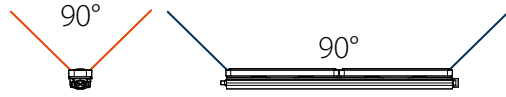


SERPENTINE MOUNTING TRACK

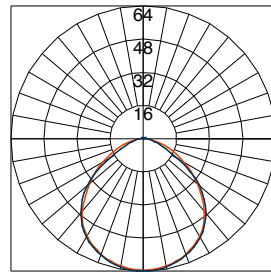
(SPECIAL ORDER ITEM - CONSULT FACTORY)



CL No Optics (2.5W/ft)

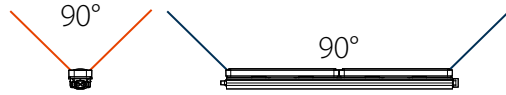


Polar Candela Distribution
CLiP 4X; 3500K; 2.5W/ft; 90° x 90° (CL)

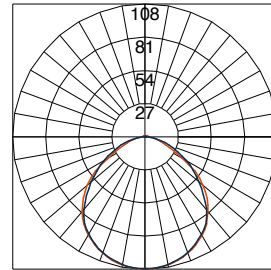


■ V Plane thru H Angles (0 - 180)
■ V Plane thru H Angles (90 - 270)

CL No Optics (5W/ft)

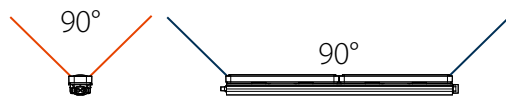


Polar Candela Distribution
CLiP 4X; 3500K; 5W/ft; 90° x 90° (CL)

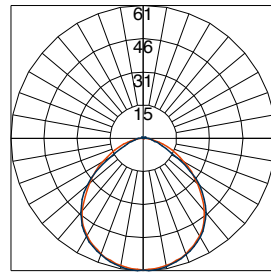


■ V Plane thru H Angles (0 - 180)
■ V Plane thru H Angles (90 - 270)

WL Diffused (2.5W/ft)

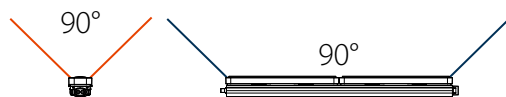


Polar Candela Distribution
CLiP 4X; 3500K; 2.5W/ft; 90° x 90° (WL)

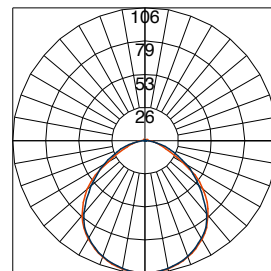


■ V Plane thru H Angles (0 - 180)
■ V Plane thru H Angles (90 - 270)

WL Diffused (5W/ft)

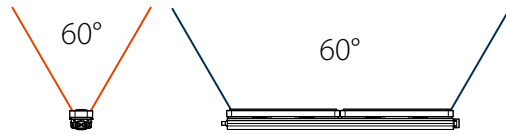


Polar Candela Distribution
CLiP 4X; 3500K; 5W/ft; 90° x 90° (WL)

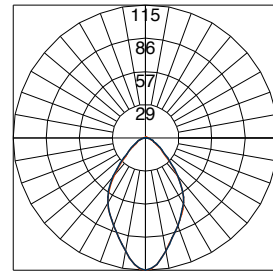


■ V Plane thru H Angles (0 - 180)
■ V Plane thru H Angles (90 - 270)

60° x 60° Optics (2.5W/ft)

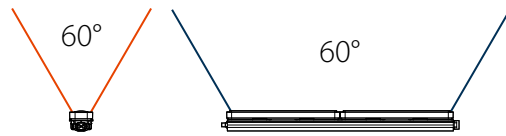


Polar Candela Distribution
CLiP 4X; 3500K; 2.5W/ft; 60° x 60°

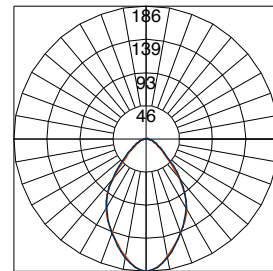


■ V Plane thru H Angles (0 - 180)
■ V Plane thru H Angles (90 - 270)

60° x 60° Optics (5W/ft)

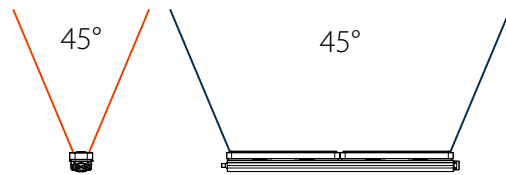


Polar Candela Distribution
CLiP 4X; 3500K; 5W/ft; 60° x 60°

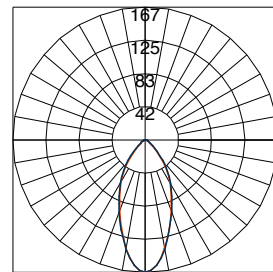


■ V Plane thru H Angles (0 - 180)
■ V Plane thru H Angles (90 - 270)

45° x 45° Optics (2.5W/ft)

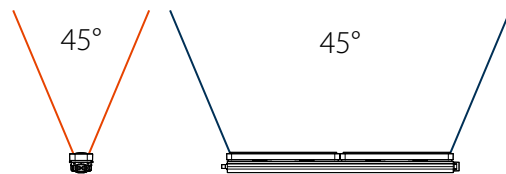


Polar Candela Distribution
CLiP 4X; 3500K; 2.5W/ft; 45° x 45°

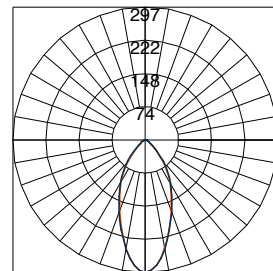


■ V Plane thru H Angles (0 - 180)
■ V Plane thru H Angles (90 - 270)

45° x 45° Optics (5W/ft)

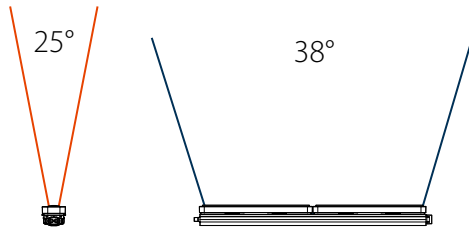


Polar Candela Distribution
CLiP 4X; 3500K; 5W/ft; 45° x 45°

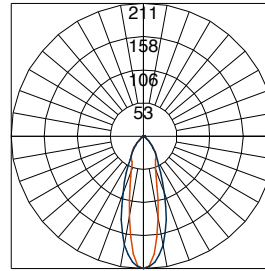


■ V Plane thru H Angles (0 - 180)
■ V Plane thru H Angles (90 - 270)

25° x 38° Optics (2.5W/ft)

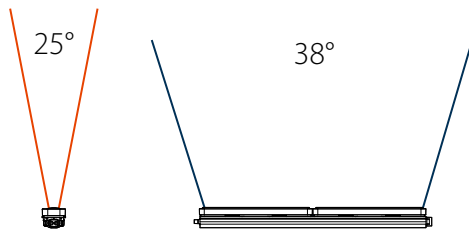


Polar Candela Distribution
CLiP 4X; 3500K; 2.5W/ft; 25° x 38°

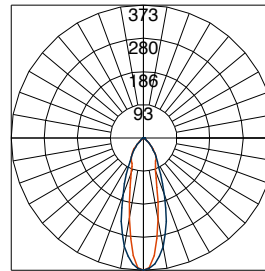


■ V Plane thru H Angles (0 - 180)
■ V Plane thru H Angles (90 - 270)

25° x 38° Optics (5W/ft)



Polar Candela Distribution
CLiP 4X; 3500K; 5W/ft; 25° x 38°



■ V Plane thru H Angles (0 - 180)
■ V Plane thru H Angles (90 - 270)