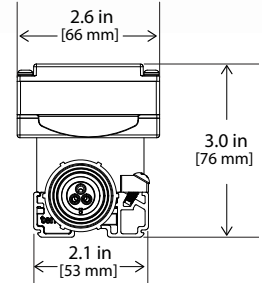


C6RX Exterior

RIGID LED LINEAR LIGHTING, HIGH LUMEN
INTEGRAL POWER SYSTEM



Buy Tempo
Buy American

MADE IN
USA 
OF US AND IMPORTED COMPONENTS

86,000 HOURS
L85 LUMEN MAINTENANCE
LED Luminaires will reach 85% of initial lumen output at or beyond 86,000 hours at 25°C.

WARRANTY
Tempo provides a 5-year limited warranty.



APPLICATION

C6RX Exterior is designed to graze or wash building façades, highlight exterior signage or illuminate covers and soffits. Features an integral power supply & is IP66 rated. C6RX weathers harsh outdoor conditions with a low copper aluminum housing, glass lens, stainless steel fasteners and silicone gaskets throughout. Designed with modular CLiP[®] (Configurable Lighting Platform), C6RX provides options to suit multiple application requirements including rigid pendant mounting kit.

CONSTRUCTION

- Die cast low copper aluminum housing with tempered glass lens with silicone gaskets and stainless steel fasteners.
- Section lengths are available up to 6ft in 1ft increments and may be joined in the field for continuous runs. Threaded and sealed connectors join sections.
- Module spacing options of 0", 3", 6" or 12" between each 1 foot module.
- Stainless Steel surface mounting clips. Die cast aluminum 90° adjustable surface mounting brackets with optional 6" and 12" arms.
- Rigid Pendant Mounting available for Unistrut with 1', 2' & 4' stem lengths.
- Fully compliant with NEC Article 400
- CSA wet location listed, IP66
- Marine Grade finishes Cyclic Salt Fog/UV Exposure tested in compliance with ASTM D5894 by 3rd party testing facility.

POWER SYSTEM

- Universal (120V-277V) Integral Power Supply with Electronic Low Voltage (ELV) dimming to 5%
- Power Supply Total Harmonic Distortion <20%, Power Factor >0.9

OPTICS / LENS / DIFFUSER

5 watt model:

- Frosted Glass Lens (120° x 120°) also available with Asymmetric optics
- Clear Glass Lens with 10° x 60°, 30° x 50° & 50° x 30° optics

10 watt model:

- Clear Glass Lens with 10° x 10°, 10° x 60°, 30° x 50° or 50° x 30° optics.

- 1 foot Glare Shield accessory (GS-C6RX) available for factory or field installation.

PERFORMANCE

- Nominal light output: 460-910 lm/ft (5-10W/ft)
- -40°C starting temperature

LIGHT CHARACTERISTICS

- Typical CRI of 80+ in 2700K to 5000K; plus static Red, Green & Blue.
- 90+ CRI option available with 2700K, 3000K and 3500K.
- Tempo's UniBin™ process ensures consistent hue and color to within a maximum 2-step MacAdam ellipse per section.

C6RX Exterior

RIGID LED LINEAR LIGHTING, HIGH LUMEN
INTEGRAL POWER SYSTEM

PERFORMANCE SUMMARY

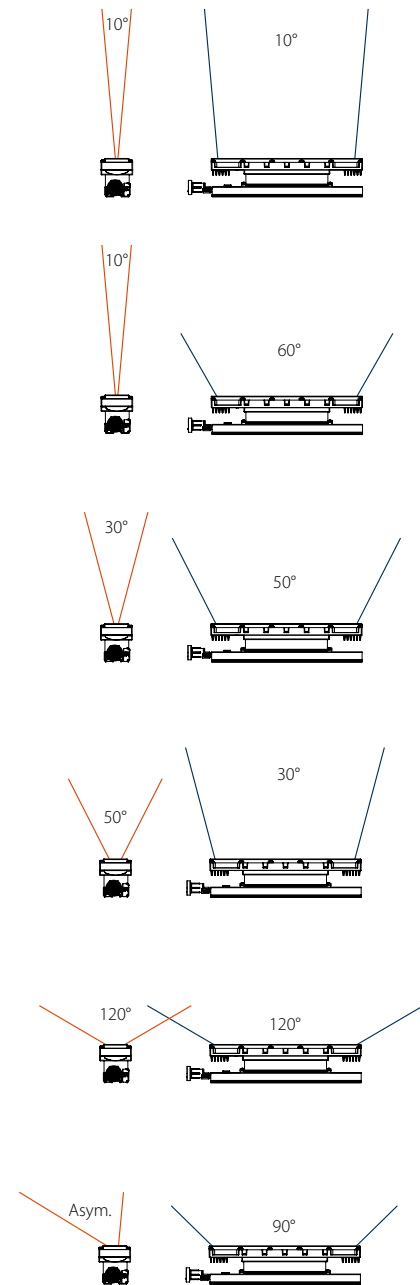
5 Watt/ft		Based on 1 foot configuration, 3500K		
Order Code	Optics	Lumens/ft (lm)	CBCP (cd)	Efficacy (lm/w)
FL	120° x 120°	391	166	78
ASY	Asymmetric	352	253	70
1060	10° x 60°	396	1,029	80
3050 5030	30° x 50° 50° x 30°	359	733	72

10 Watt/ft		Based on 1 foot configuration, 3500K		
Order Code	Optics	Lumens/ft (lm)	CBCP (cd)	Efficacy (lm/w)
1010	10° x 10°	932	10,265	93
1060	10° x 60°	821	2,030	82
3050 5030	30° x 50° 50° x 30°	614	794	61

MAXIMUM RUN LENGTHS

Watts/ft	5	10
120V Maximum Run Length	200ft	100ft
277V Maximum Run Length	450ft	225ft

OPTIC DISTRIBUTION



C6RX Exterior

RIGID LED LINEAR LIGHTING, HIGH LUMEN

INTEGRAL POWER SYSTEM

5 WATT MODEL

C6RX			UNV	E	5					
Series	Optic/Lens/Diffuser	Module Spacing	Voltage	Dimming	Watts/Foot	Color Temp	Finish	Fixture Length ¹		
C6RX	FL Frosted Glass Lens 120° x 120°	0 0"	UNV 120-277V	E ELV (Electronic Low Voltage) dim to 5%	5 5 W	27 2700K (CRI 80+)	NA Natural Anodized			
	ASY Asymmetric optic, Frosted Glass	3 3"				30 3000K (CRI 80+)			BK Black	
		6 6"				35 3500K (CRI 80+)				LG Light Gray
	12 12"					40 4000K (CRI 80+)				
		1060 10° x 60° optic, Clear Glass				50 5000K (CRI 80+)				
3050 30° x 50° optic, Clear Glass	RD Red	LGM Light Gray Marine Grade								
5030 50° x 30° optic, Clear Glass	GR Green		WHM White Marine Grade							
				BL Blue	CC Custom Color					
				27H 2700K High CRI (90+)						
				30H 3000K High CRI (90+)						
		35H 3500K High CRI (90+)								

(1) Measured in 1 foot increments up to 6 foot length for standard 0" module spacing. See dimensional information for module spacing options.

10 WATT MODEL

C6RX			UNV	E	10					
Series	Optic/Lens/Diffuser	Module Spacing	Voltage	Dimming	Watts/Foot	Color Temp	Finish	Fixture Length ¹		
C6RX	FL Frosted Glass Lens 120° x 120°	0 0"	UNV 120-277V	E ELV (Electronic Low Voltage) dim to 5%	10 10 W	27 2700K (CRI 80+)	NA Natural Anodized			
	ASY Asymmetric optic, Frosted Glass	3 3"				30 3000K (CRI 80+)			BK Black	
		6 6"				35 3500K (CRI 80+)				LG Light Gray
	12 12"					40 4000K (CRI 80+)				
		1010 10° x 10° optic, Clear Glass				50 5000K (CRI 80+)				
1060 10° x 60° optic, Clear Glass	RD Red	LGM Light Gray Marine Grade								
3050 30° x 50° optic, Clear Glass	GR Green		WHM White Marine Grade							
	5030 50° x 30° optic, Clear Glass			BL Blue	CC Custom Color					
						27H 2700K High CRI (90+)				
				30H 3000K High CRI (90+)						
		35H 3500K High CRI (90+)								

(1) Measured in 1 foot increments up to 6 foot length for standard 0" module spacing. See dimensional information for module spacing options.

C6RX Exterior

RIGID LED LINEAR LIGHTING, HIGH LUMEN
INTEGRAL POWER SYSTEM

SYSTEM INTEGRATION ACCESSORIES

SURGE SUPPRESSION DEVICE A Tempo furnished surge suppression device must be installed on each supplying branch circuit to comply with 5-year warranty terms		
	SSD-120	120V Branch Circuit
	SSD-277	277V Branch Circuit

DIMMING INTERFACE MODULE 600W max at 120V and 1350W max at 277V		
	DIM-Z	Dimming Interface Module converts 0-10V dimming signals to ELV Dimming output, 120 - 277 Universal Line Voltage.
	DIM-Z-DALI	Dimming Interface Module converts DALI dimming signals to ELV Dimming output, 120 - 277 Universal Line Voltage.

POWER FEED CABLES Additional lengths available, contact factory		
	PFC-EXT-F-36	Female connector, 36 inches

JUMPER FEED CABLES Additional lengths available, contact factory		
	JFC-EXT-FM-12	Female/Male connector, 12 inches

MOUNTING HARDWARE		
	C6A-MC	Stainless Steel Surface Mount Clips <i>for up lighting applications only</i> , (set of 12)
	C6RXA-IMB	Stainless Steel Inverted Mounting Bracket for down & wall mount applications, (set of 12)
	PAX	+/- 90° adjustable mounting bracket, Natural Anodized finish, minimum of 2 required per section
	PAX- (BKM/LGM/WHM)	+/- 90° adjustable mounting bracket, BKM, LGM or WHM finish, minimum of 2 required per section
	PAX-6	6" long extension arm, adjustable bracket, Natural Anodized finish, minimum of 2 required per section.
	PAX-6- (BKM/LGM/WHM)	6" long extension arm, adjustable bracket, BKM, LGM or WHM finish, minimum of 2 required per section.
	PAX-12	12" long extension arm, adjustable bracket, Natural Anodized finish, minimum of 2 required per section.
	PAX-12- (BKM/LGM/WHM)	12" long extension arm, adjustable bracket, BKM, LGM or WHM finish, minimum of 2 required per section.
	PAX-PMUR-1-(BKM/LGM/WHM)	Single Pendant Mounting Kit - Fitting to Unistrut; 1 foot 1/2" NPT stem; Clamping Bracket
	PAX-PMUR-2-(BKM/LGM/WHM)	Single Pendant Mounting Kit - Fitting to Unistrut; 2 foot 1/2" NPT stem; Clamping Bracket
	PAX-PMUR-4-(BKM/LGM/WHM)	Single Pendant Mounting Kit - Fitting to Unistrut; 4 foot 1/2" NPT stem; Clamping Bracket

GLARE CONTROL ACCESSORIES

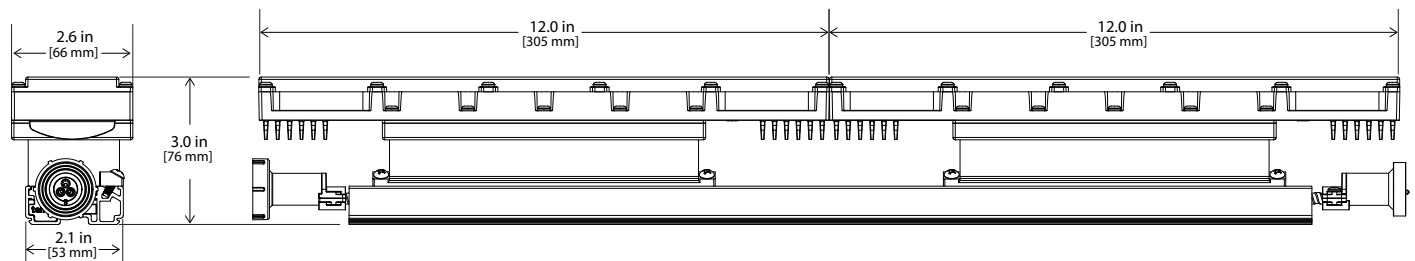
GLARE SHIELD Factory or Field installed		
	GS-C6RX-NA	1 foot die cast low copper aluminum glare shield (w/ 4 screws) Natural Anodized finish
	GS-C6RX-BKM	1 foot die cast low copper aluminum glare shield (w/ 4 screws) Black marine grade finish
	GS-C6RX-LGM	1 foot die cast low copper aluminum glare shield (w/ 4 screws) Light Gray marine grade finish
	GS-C6RX-WHM	1 foot die cast low copper aluminum glare shield (w/ 4 screws) White marine grade finish

C6RX Exterior

RIGID LED LINEAR LIGHTING, HIGH LUMEN
INTEGRAL POWER SYSTEM

DIMENSIONAL INFORMATION

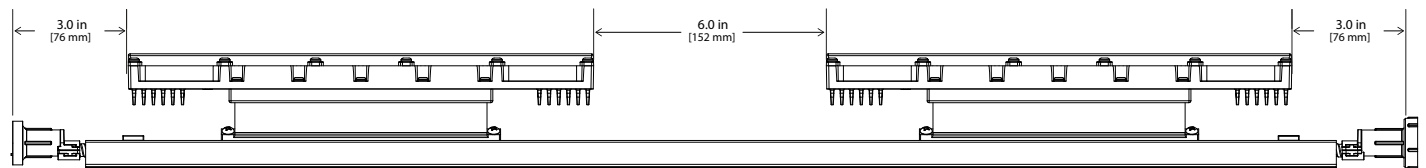
EXAMPLE SHOWN IS 2FT SECTION



Lengths Available (Standard 0" Spacing)

1 ft, 2ft, 3ft, 4ft, 5ft & 6ft

MODULE SPACING - EXAMPLE SHOWN IS 3 FOOT SECTION WITH 6" MODULE SPACING



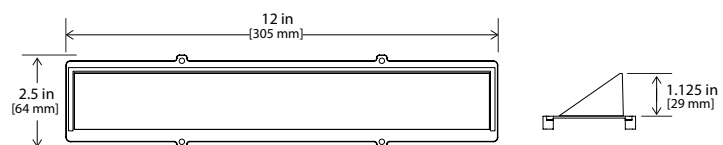
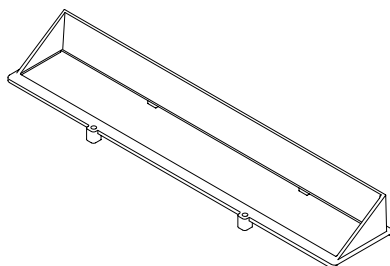
Lengths Available With Spacing Options

3" Spacing: 5 ft Only

6" Spacing: 3 ft & 6 ft

12" Spacing: 4 ft & 6 ft Sections

GLARE SHIELD (GS-C6RX)



C6RX Exterior

RIGID LED LINEAR LIGHTING, HIGH LUMEN
INTEGRAL POWER SYSTEM

MOUNTING HARDWARE

SURFACE MOUNT CLIP (C6A-MC)
FOR UPLIGHT APPLICATIONS ONLY



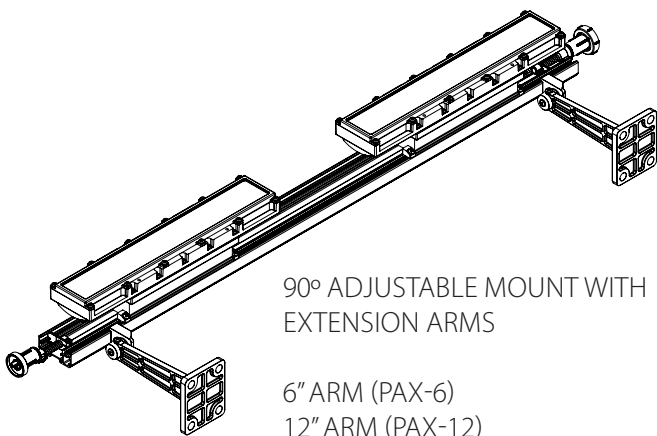
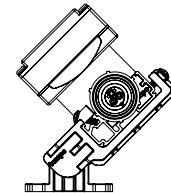
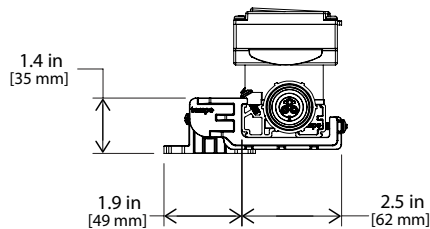
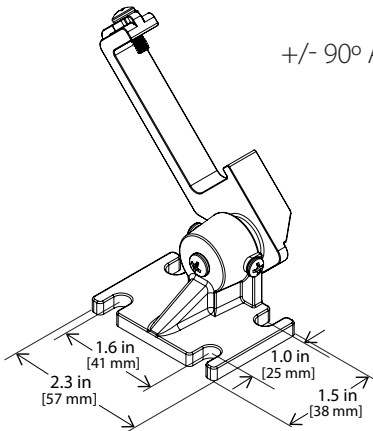
2.0"(L) X 1.0" (W) X 0.2" (H)

INVERTED MOUNTING BRACKET (C6RXA-IMB)
EXTRA SUPPORT FOR DOWNLIGHT & WALL MOUNT



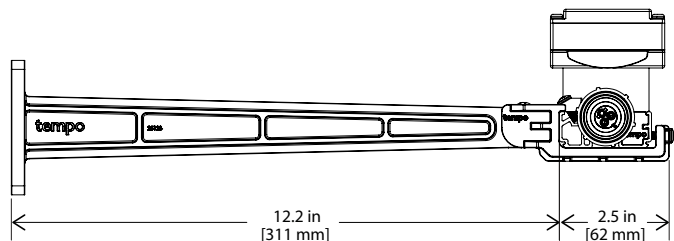
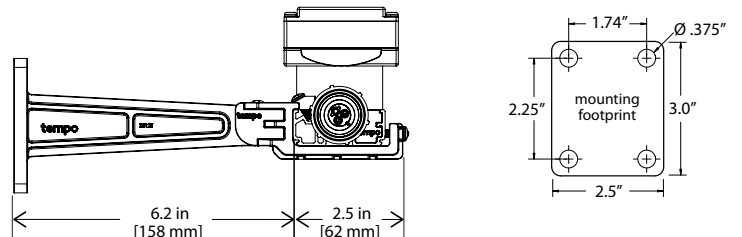
2.2"(L) X 1.5" (W) X 1.0" (H)

+/- 90° ADJUSTABLE MOUNTING BRACKET (PAX)

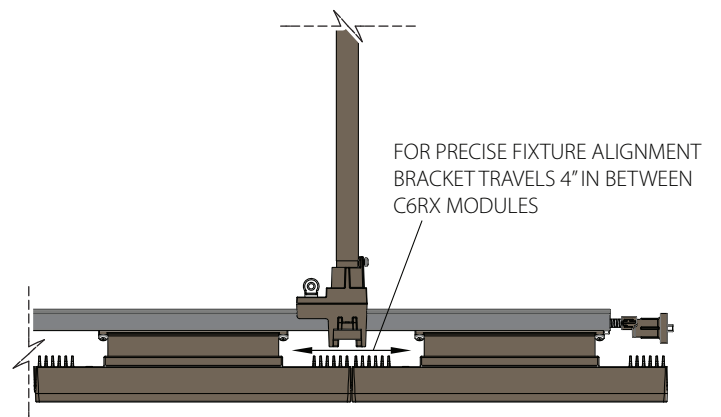
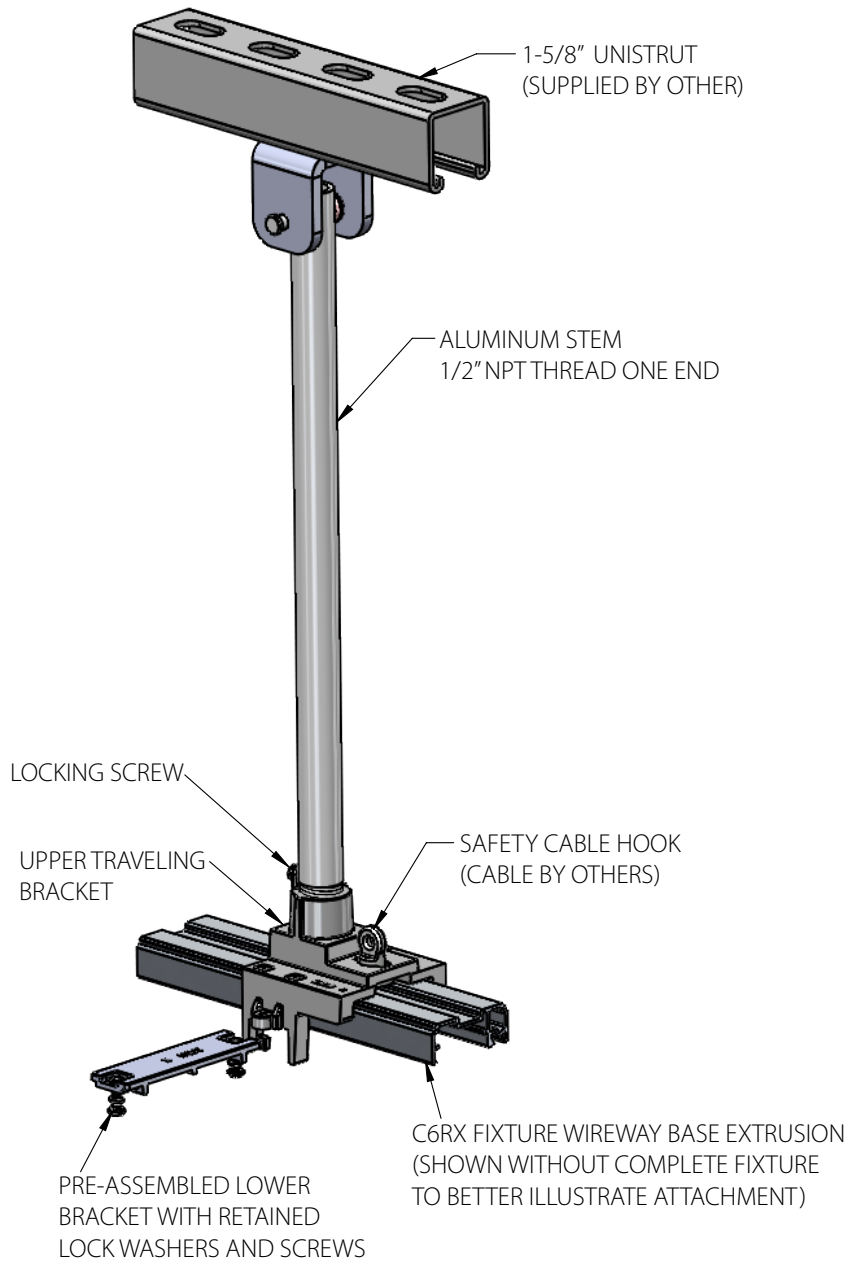


90° ADJUSTABLE MOUNT WITH
EXTENSION ARMS

6" ARM (PAX-6)
12" ARM (PAX-12)



PAX-PMUR-1
PAX-PMUR-2
PAX-PMUR-4

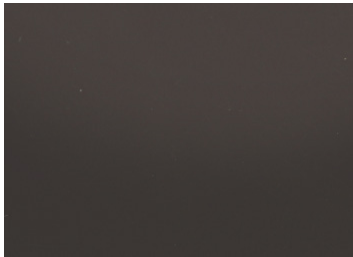


C6RX Exterior

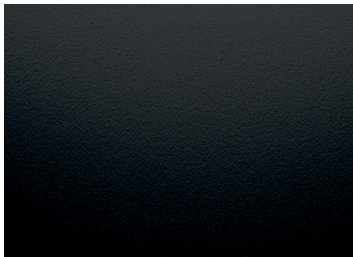
COLOR CHART

Color is same for standard Standard and Marine Grade finish.
Finishes also available in White and custom colors. Consult factory for details.

NATURAL ANODIZED



BLACK



LIGHT GRAY

