

C3R-1424 Grazer

RIGID LED LINEAR ACCENT LIGHTING, 14° X 24° GRAZE OPTICS
REMOTE POWER SYSTEM



APPLICATION

Produces uniform illumination designed to graze large areas and emphasize textures on vertical surfaces and walls. The slim low profile design fits into the smallest soffits and coves and includes integrated louver for glare protection. Designed with modular CLiP[®] (Configurable Lighting Platform) technology, C3R Grazer provides options and sustainability to suit multiple application requirements. Remote 24VDC and 12VDC options with 0-10V, Triac and DMX dimming options.

CONSTRUCTION

- Designed with non-ferrous components and mounting brackets. Meets MRI room requirements when used with brass mounting screws (part number C3A-MNTSCREW-BRS).
- Rotational mounting track available for precise aiming (not MRI compliant).
- Section lengths of 4 foot & 1 foot. Join sections and create continuous runs from one power supply
- Easily replaceable LED printed circuit boards.
- Quick wire connectors to join sections.
- CSA damp location listed.

OPTICS / LENS / DIFFUSER

- Lens with integrated 14° X 24° graze optics plus integrated louver.

POWER SYSTEM

- Utilizes remote, Class II low voltage 12Volt or 24Volt Power Supply. Power supplies must be installed in an approved enclosure (by others) in close proximity to luminaire. See Driver Remote Distance Chart for guidance.
- Triac dimming to 1%
0-10V dimming to under 10%
DMX/RDM dimming to 1%
Non-dimming also available

PERFORMANCE

- 2w/ft; 110 lm/ft; 577 Max Candela
- Operating temperature range of -20°C to 50°C
- Power Supply Total Harmonic Distortion <20%, Power Factor >0.9

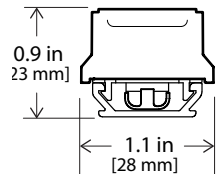
LIGHT CHARACTERISTICS

- Available in 2700K, 3000K, 3500K, 4000K
- Typical CRI of 80+ & High CRI 90+ options.
- All LED's are selected and placed on the printed circuit boards via Tempo Industries' UniBin™ process which ensures consistent hue and color within the entire run. Color variations are held to within a maximum of a 2-step MacAdam ellipse.

PERFORMANCE SUMMARY

All data nominal. 3500K test data shown.

Watts/ft	2.0
Lumens/ft	110
Lumens/Watt	55



Buy Tempo
Buy American

MADE IN USA
OF US AND IMPORTED COMPONENTS

WARRANTY

Tempo provides a 5-year limited warranty.

86,000 HOURS

L85 LUMEN MAINTENANCE
LED Luminaires will reach 85% of initial lumen output at or beyond 86,000 hours at 25°C.



High CRI 90+ Options



Micro-Maintainable

Components, such as LED boards and lenses, can be easily replaced if necessary for increased product sustainability.




C3R-1424 Grazer

RIGID LED LINEAR ACCENT LIGHTING, 14° X 24° GRAZE OPTICS
REMOTE POWER SYSTEM

ORDERING INFORMATION

Example: C3R-1424-0-2-35LG-24V-4

4ft, C3R, 14x24 Graze, 2 W/Ft, 3500K, Light Gray, 12V

C3	R	1424	0	2		LG		
Series	Platform	Optic/Lens/Diffuser	Module Spacing	Watts/Foot	Color Temp	Finish	Voltage	Fixture Length
C3	R Rigid	1424 14° X 24° Graze Optic Lens	0 0"	2 2.0 W/ft	27 2700K 30 3000K 35 3500K 40 4000K 27H 2700K High CRI (90+) • 30H 3000K High CRI (90+) • 35H 3500K High CRI (90+) • 40H 4000K High CRI (90+) •	LG Light Gray	Blank 12VDC 24V 24VDC	1 1 ft. 4 4 ft. 

• High CRI required to comply with 2016 & 2019 Title 24 JA8 High Efficacy Lighting.

Consult factory for information on tailored C3R fixture lengths.

MAXIMUM RUN LENGTHS

12V Driver	Module Spacing*	Watts/ft	Max Distance
60W	0" (Standard)	2.0	30ft
40W	0" (Standard)	2.0	20ft
24V Driver	Module Spacing*	Watts/ft	Max Distance
100W	0" (Standard)	2.0	50ft
60W	0" (Standard)	2.0	30ft
40W	0" (Standard)	2.0	20ft

* Module Spacing not available with Graze optic due to scalloping effect.

DRIVER REMOTE DISTANCE

	Wire Gauge	Maximum Lead Length
12V Driver	18 AWG	10 ft (3m)
	16 AWG	15 ft (4.5m)
	14 AWG*	25 ft (7.5m)
	12 AWG*	40 ft (12m)

	Wire Gauge	Maximum Lead Length
24V Driver	18 AWG	15 ft (4.5m)
	16 AWG	25 ft (7.5m)
	14 AWG*	40 ft (12m)
	12 AWG*	60 ft (18m)


* Terminal blocks on the drivers accept 18AWG or 16AWG wire. To use wire gauges larger than 16AWG connect up to 3 ft of 18AWG or 16AWG, then connect 14AWG or 12AWG with UL approved wire nuts up to the maximum lead length in the above tables.


C3R-1424 Grazer

RIGID LED LINEAR ACCENT LIGHTING, 14° X 24° GRAZE OPTICS

REMOTE POWER SYSTEM

SYSTEM INTEGRATION ACCESSORIES

POWER SUPPLIES - 12V Output for 2W/ft Standard LED Spacing Require approved enclosure (by others). See chart on page 2		
PWR-120-EL-040-T	120V AC Input, 12V DC Output, 40W, Triac Dimming (dim to 1%) Lutron Hi-lume 1% 2-wire LED driver, 120V forward phase - LTEA2W; 3.0"W x 1.0"H x 4.9"L	
PWR-UNV-EL-060	120-277V AC Input, 12V DC Output, 60W, Non-Dimming; 1.7"W x 1.3"H x 8.4"L	
PWR-UNV-EL-060-Z	120-277V AC Input, 12V DC Output, 60W, 0-10V Dimming (dim to under 10%); 1.7"W x 1.3"H x 8.4"L	

POWER SUPPLIES - 24V Output for 3W/ft Dense Pack LED Spacing Require approved enclosure (by others). See chart on page 2		
PWR-120-EM-040-T	120V AC Input, 24V DC Output, 40W, Triac Dimming (dim to 1%) Lutron Hi-lume 1% 2-wire LED driver, 120V forward phase - LTEA2W; 3.0"W x 1.0"H x 4.9"L	
PWR-120-EM-040-T1	120V AC Input, 24V DC Output, 40W, Triac Dimming (dim to 1%) Lutron Hi-lume 1% 2-wire LED driver, 120V forward phase - LTEA2W; 1.2"W x 1.0"H x 14.25"L	
PWR-120-EM-100-T	120V AC Input, 24V DC Output, 100W, Phase Dimming Triac & ELV; 3.0"W x 1.7"H x 9.9"L	
PWR-UNV-EM-100-T-JB	120V AC Input, 24V DC Output, 100W, Phase Dimming Triac & ELV, Integral AC/DC J-Box; 3"W x 1.7"H x 14"L	
PWR-UNV-EM-96-DMX	120-277V AC Input, 24V DC Output, 96W, DMX Dimming; 2.5"W x 1.25"H x 9.6"L	
PWR-UNV-EM-060	120-277V AC Input, 24V DC Output, 60W, Non-Dimming; 1.7"W x 1.2"H x 9.5"L	
PWR-UNV-EM-100	120-277V AC Input, 24V DC Output, 100W, Non-Dimming; 1.7"W x 1.2"H x 9.5"L	
PWR-UNV-EM-100-Z	120-277V AC Input, 24V DC Output, 100W, 0-10V Dimming (dim to under 10%); 1.9"W x 1.3"H x 9.2"L	
PWR-UNV-EM-100-Z-JB	Plenum Rated J-Box Driver, 120-277V AC In, 24V DC Out, 100W, 0-10V Dimming (dim to under 10%); 2.5"W x 1.7"H x 12.4"L	

SURGE SUPPRESSION DEVICE A Tempo furnished surge suppression device must be installed on each supplying branch circuit to comply with 5-year warranty terms		
SSD-120	120V Branch Circuit; 2.9"W x 1.75"H x 3.3"L	
SSD-277	277V Branch Circuit; 2.9"W x 1.75"H x 3.3"L	

POWER & JUMPER FEED CABLES Additional lengths available, contact factory		
PFC3-F-12-36	12V Power Feed Cable, Female Connector, 36 inches (for 2W/ft model)	
PFC3-F-24-36	24V Power Feed Cable, Female Connector, 36 inches (for 3W/ft model)	
JFC3-MF-12-18	12V Jumper Feed Cable, Male/Female Connectors, 18 inches (for 2W/ft model)	
JFC3-MF-24-18	24V Jumper Feed Cable, Male/Female Connectors, 18 inches (for 3W/ft model)	

MOUNTING HARDWARE		
C3A-MTGBRKT-SURF	Set of 25 plastic Mounting Clips (screws included) for up lighting. 18" maximum spacing between mounting clips.	
C3A-MTGBRKT-SURF-20	Set of 25 plastic, 20° Mounting clips (screws included) for up lighting. 18" maximum spacing between mounting clips.	
C3A-MTGTRK	6 foot PVC mounting track, .5" tall, for secure down and vertical lighting applications. (Can also be used for up lighting).	
ROT-MTGTRK-A6	6 foot Aluminum Track for use with rotational mounting brackets ROT-MTGBRK-C3 (Not MRI Room compliant)	
ROT-MTGBRK-C3	Set of 25 plastic rotational mounting brackets for use with ROT-MTGTRK-A6. 18" maximum spacing between mounting clips.	
C3A-MNTSCREW-BRS	Non Ferrous Brass mounting screw only for C3R mounting clip. (Meets MRI room requirements)	

C3R-1424 Grazer

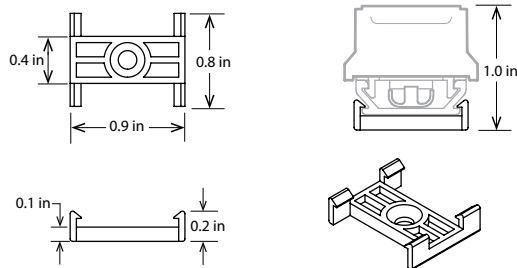
RIGID LED LINEAR ACCENT LIGHTING, 14° X 24° GRAZE OPTICS
 REMOTE POWER SYSTEM

DIMENSIONAL INFORMATION



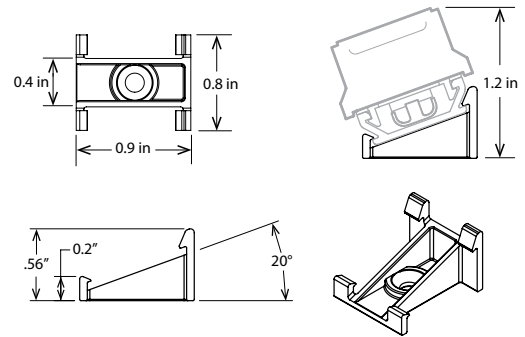
MOUNTING HARDWARE

C3A-MTGBRKT-SURF (FOR UP LIGHTING)



18" maximum recommended spacing between mounting clips.

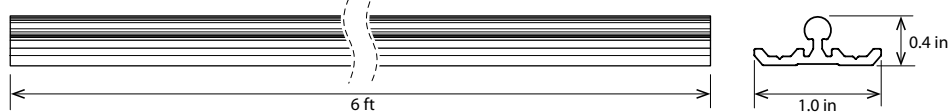
C3A-MTGBRKT-SURF-20 (FOR UP LIGHTING)



18" maximum recommended spacing between mounting clips.

60° ROTATIONAL MOUNTING HARDWARE (FOR UP OR DOWN LIGHTING)

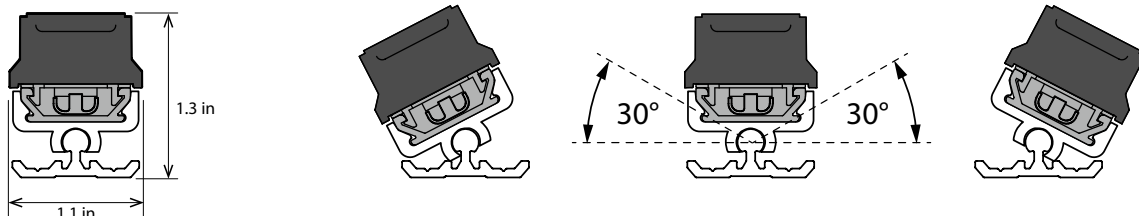
Mounting Track (ROT-MTGTRK-A6)



Mounting Bracket (ROT-MTGBRK-C3)



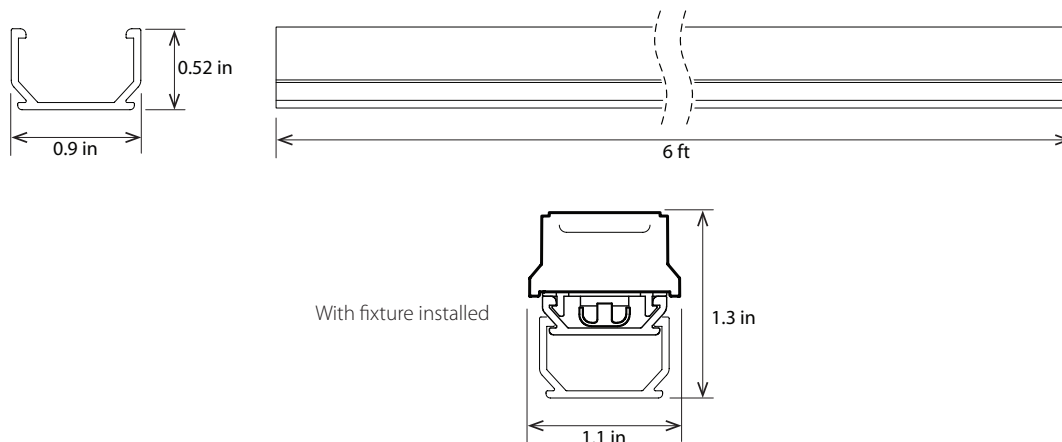
18" maximum recommended spacing between mounting clips.



C3R-1424 Grazer

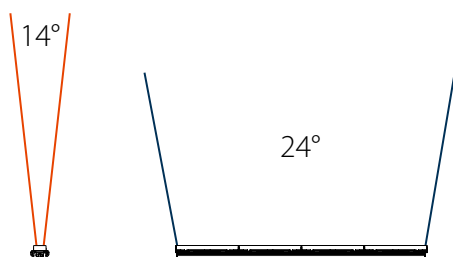
RIGID LED LINEAR ACCENT LIGHTING, 14° X 24° GRAZE OPTICS
 REMOTE POWER SYSTEM

C3A-MTGTRK (FOR DOWN & VERTICAL LIGHTING)



DISTRIBUTIONS & PHOTOMETRY

14° x 24° Optics



Polar Candela Distribution

C3R; 3500K; 2W/ft; 14° x 24°

