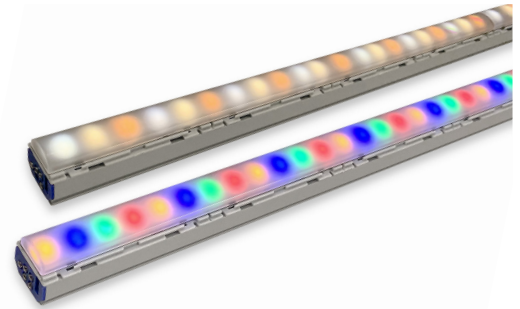


CLiP 3 dynamic

- DMX RGB, RGB-WHITE, RGB-AMBER & TUNABLE WHITE
- 0-10V WARM DIM



APPLICATION

Complete 24V systems with controllers produces uniform illumination designed to accent and highlight spaces such as small coves, under cabinets or millwork. RGB-W, RGB-A, RGB and Tunable White features Tempo supplied DMX driver and intelligent touch control keypad for easy color changing and white color tuning. Warm Dim features 2 channel system with 0-10V dimming control. Designed with modular CLiP[®] (Configurable Lighting Platform), CLiP 3 dynamic provides options to suit multiple application requirements. Meets MRI room requirements with non-ferrous components and mounting brackets.

CONSTRUCTION

- Light weight polymeric components.
- 12" long low profile modules in 1', 2', 3', 4', 5' or 6' fixture lengths.
- Rigid (R) design for straight runs and Serpentine (S) design for curves.
- Join sections and create continuous runs up to 16' from one power supply
- Easily replaceable LED printed circuit boards
- Proprietary quick wire connection device provides ease of installation
- CSA damp location listed for indoor use
- Meets MRI room requirements

OPTICS / LENS / DIFFUSER

- Low profile frosted lens.

FEATURES

- 1600K - Lowest CCT available in market for Tunable White and Warm dim.
- White LEDs with standard CRI of 80+
- All LED's are selected and placed on the printed circuit boards via Tempo Industries' UniBin™ process which ensures consistent hue and color within the entire run. Color variations are held to within a maximum of a 2-step MacAdam ellipse.
- Operating temperature range of -20°C to 50°C
- Power Supply Total Harmonic Distortion <20%, Power Factor >0.9

24VDC 4-CHANNEL RGB-W & RGB-A

Power System - 120-277VAC Input, 24VDC Output, 96W, DMX/RDM LED Driver

- Controls** - DMX512 Wall Mount Touch Controller
- Sensitive Touch Glass Panel
 - RGB-W(A) Color Touch Wheel
 - 3 Preset Zones

RGB-W/A Performance - 6W/ft, 472 total lm/ft:
 Red - 80lm/ft; Green - 168lm/ft; Blue - 44 lm/ft;
 3000K - 180lm/ft; Amber - 115 lm/ft

Max Run Length - 16 feet (per 100w power supply.)

24VDC 3-CHANNEL RGB OR TUNABLE WHITE

Power System - 120-277VAC Input, 24VDC Output, 96W, DMX/RDM LED Driver

- Controls** - DMX512 Wall Mount Touch Controller
- Sensitive Touch Glass Panel
 - Kelvin Color Touch Wheel (Tunable White)
 - RGB Color Touch Wheel (RGB)
 - 3 Preset Zones / 6 Preset Kelvin Temp Settings

RGB Performance - 6W/ft, 292 total lm/ft:
 Red - 80lm/ft; Green - 168lm/ft; Blue - 44 lm/ft

TW Performance - 6W/ft, 613 total lm/ft:
 2000K - 157lm/ft; 3000K - 222lm/ft; 4000K - 234 lm/ft

Max Run Length - 16 feet (per 100w power supply.)

0-10V WARM DIM OR TUNABLE WHITE

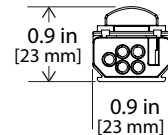
Power System

- 120-277VAC Input, 24VDC Output, LED Driver.
- 0-10V Warm Dim or Tunable White Control Module.

Controls - 0-10V Wall Dimmer Switches or Lutron Homeworks (by other.)

Performance - 4W/ft
 (2W per channel cross-fade utilizes only 2W/ft max).
 2000K - 157lm/ft; 2700K - 200lm/ft

Max Run Length - 48 feet (per 100w power supply and 100w Control Module.)



Buy Tempo
Buy American



WARRANTY

Tempo provides a 5-year limited warranty.

86,000 HOURS

L85 LUMEN MAINTENANCE
 LED Luminaires will reach 85% of initial lumen output at or beyond 86,000 hours at 25°C.



CLiP 3 dynamic

- DMX RGB, RGB-WHITE, RGB-AMBER & TUNABLE WHITE
- 0-10V WARM DIM

ORDERING INFORMATION

RGB, RGB-W, RGB-A (3 OR 4 CHANNEL DMX)

C3D		FL	0	6	Color Temp	LG	Fixture Length
Series	Platform	Optic/Lens/Diffuser	Module Spacing	Watts/Foot		Finish	
CLiP 3 Dynamic	R Rigid	FL Frosted Lens	0 0"	6 6W/ft	RGB Red/Green/Blue RGBW27 RGB-White 2700K RGBW30 RGB-White 3000K RGBW35 RGB-White 3500K RGBW40 RGB-White 4000K RGBA RGB-Amber	LG Light Gray	1 1 foot
	S Serpentine						2 2 foot
							3 3 foot
							4 4 foot
							5 5 foot
							6 6 foot

TUNABLE WHITE (3-CHANNEL DMX)

C3D		FL	0	6	Color Temp*	LG	Fixture Length
Series	Platform	Optic/Lens/Diffuser	Module Spacing	Watts/Foot		Finish	
CLiP 3 Dynamic	R Rigid	FL Frosted Lens	0 0"	6 6W/ft	3TW1S 2000K/3000K/4000K, 80+ CRI 3TW2S 1600K/3000K/5000K, 80+ CRI	LG Light Gray	1 1 foot
	S Serpentine						2 2 foot
							3 3 foot
							4 4 foot
							5 5 foot
							6 6 foot

*Other color temp mixtures available. Consult factory for details.

2-CHANNEL 0-10V WARM DIM OR TUNABLE WHITE

C3D		FL	0	4	Color Temp**	LG	Fixture Length
Series	Platform	Optic/Lens/Diffuser	Module Spacing	Watts/Foot		Finish	
CLiP 3 Dynamic	R Rigid	FL Frosted Lens	0 0"	4 4W/ft*	Warm Dim: 2WD1S 2000K/2700K, 80+ CRI 2WD2S 1600K/2700K, 80+ CRI Tunable White: 2TW1S 2000K/4000K, 80+ CRI	LG Light Gray	1 1 foot
	S Serpentine						2 2 foot
							3 3 foot
							4 4 foot
							5 5 foot
							6 6 foot

*2W/ft per Kelvin temp channel with cross-fade between channels utilizes only 2W/ft maximum at any setting.

** Other color temp mixtures available. Consult factory for details.

CLiP 3 dynamic

- DMX RGB, RGB-WHITE, RGB-AMBER & TUNABLE WHITE
- 0-10V WARM DIM

DRIVER REMOTE DISTANCE

	Wire Gauge	Maximum Lead Length
24V Driver	18 AWG	15 ft (4.5m)
	16 AWG	25 ft (7.5m)
	14 AWG*	40 ft (12m)
	12 AWG*	60 ft (18m)

* Terminal blocks on the drivers accept 18AWG or 16AWG wire. To use wire gauges larger than 16AWG connect up to 3 ft of 18AWG or 16AWG, then connect 14AWG or 12AWG with UL approved wire nuts up to the maximum lead length in the above tables.

SYSTEM INTEGRATION ACCESSORIES

RGB, RGB-W, RGB-A DMX POWER SUPPLIES/CONTROLLER		
	PWR-UNV-EM-96-DMX	120-277VAC Input, 24V DC Output, 96W, DMX/RDM (includes resistor for end of run DMX signal termination)
	PCC-DMX-S1-RGB	RGB-(W/A) wall mount touch controller, DMX512; 3 Zones. 100-240VAC input, 12VDC output power supply included. Controller & Power Supply mounts in single gang box (supplied by other).

TUNABLE WHITE DMX POWER SUPPLIES/CONTROLLER		
	PWR-UNV-EM-96-DMX	120-277VAC Input, 24V DC Output, 96W, DMX/RDM (includes resistor for end of run DMX signal termination)
	PCC-DMX-S1-TW	Tunable White wall mount touch controller, DMX512; 100-240VAC input, 12VDC output power supply included. Controller & Power Supply mounts in single gang box (supplied by other).

0-10V WARM DIM OR TUNABLE WHITE POWER SUPPLIES/CONTROLLERS		
	PWR-UNV-EM-100-WDM	120-277VAC, 24V DC Output, 100W Non-Dimming Driver & Warm Dim Module (Warm Dim Module controls 0-10V dimming)
	PWR-UNV-EM-60-WDM	120-277VAC, 24V DC Output, 60W Non-Dimming Driver & Warm Dim Module (Warm Dim Module controls 0-10V dimming)
	PWR-UNV-EM-100-TWM	120-277VAC, 24V DC Output, 100W Non-Dimming Driver & Tunable White Module (Module controls 0-10V signals)
	PWR-UNV-EM-60-TWM	120-277VAC, 24V DC Output, 60W Non-Dimming Driver & Tunable White Module (Module controls 0-10V signals)
	PDS-010-WM-WH	0-10V Wall Mount Dimmer Switch, (Lutron Diva) NOTE: 1 switch for Warm Dim, 2 switches needed for Tunable White.

SURGE SUPPRESSION DEVICE Tempo furnished surge suppression device must be installed on each supplying branch circuit to comply with 5-year warranty.		
	SSD-120	120V Branch Circuit
	SSD-277	277V Branch Circuit

POWER FEED CABLES Additional lengths available, contact factory		
	PFC-24V-5-F-36	24V Power Feed, 5-Wire/5-Pin Female Connector, 36 inches
	PFC-24V-5-F-240	24V Power Feed, 5-Wire/5-Pin Female Connector, 240 inches (Max Length Power Feed)

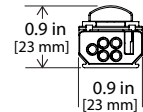
JUMPER FEED CABLES Additional lengths available, contact factory		
	JFC-24V-5-MF-36	24V Jumper Feed, 5-Wire/5-Pin Male/Female Connectors, 36 inches

MOUNTING HARDWARE 18" maximum recommended spacing between mounting clips		
	C3A-MTGBRKT-SURF	Set of 25 plastic Mounting Clips (screws included) 18" maximum recommended spacing between mounting clips.
	C3A-MTGBRKT-SURF-20	Set of 25 plastic, 20° Mounting clips (screws included) 18" maximum recommended spacing between mounting clips.
	ROT-MTGTRK-A6	6 foot Aluminum Track for use with rotational mounting brackets ROT-MTGBRK-C3 (Not MRI Room compliant)
	ROT-MTGBRK-C3	Set of 25 plastic rotational mounting brackets for use with ROT-MTGTRK-A6. 18" maximum spacing between mounting clips.
	C3A-MTGTRK	6 foot PVC mounting track for down and vertical mounting applications, 0.5" Tall, Gray
	C3A-MNTSCREW-BRS	Non Ferrous Brass mounting screw only for C3R mounting clip. (Meets MRI room requirements)

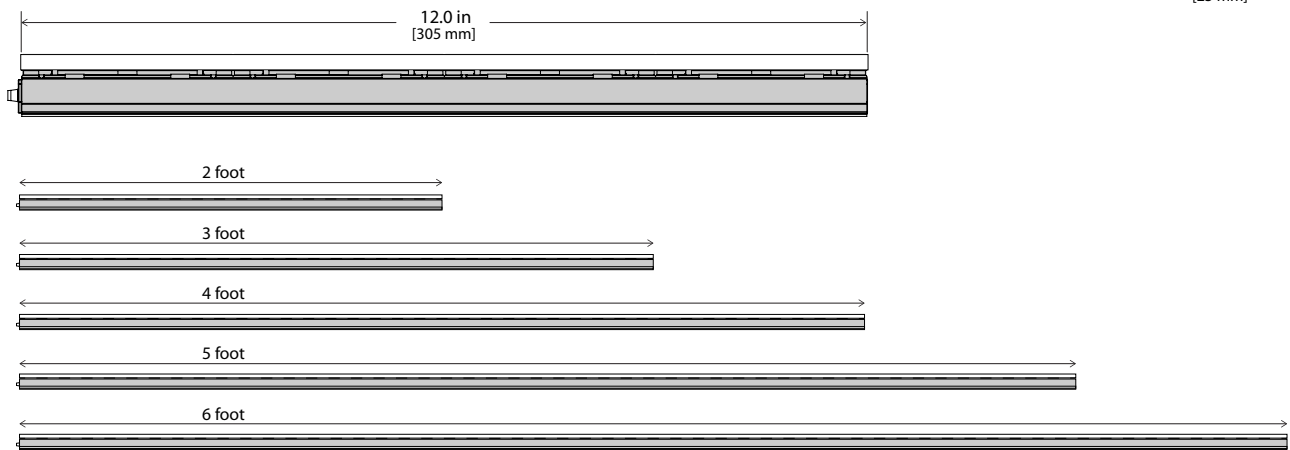
CLiP 3 dynamic

- DMX RGB, RGB-WHITE, RGB-AMBER & TUNABLE WHITE
- 0-10V WARM DIM

DIMENSIONAL INFORMATION



C3D-R (Rigid Platform)

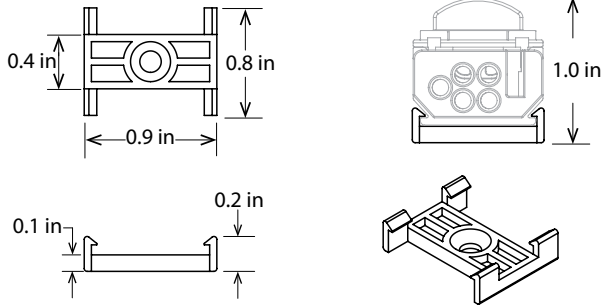


C3D-S (Serpentine Platform)



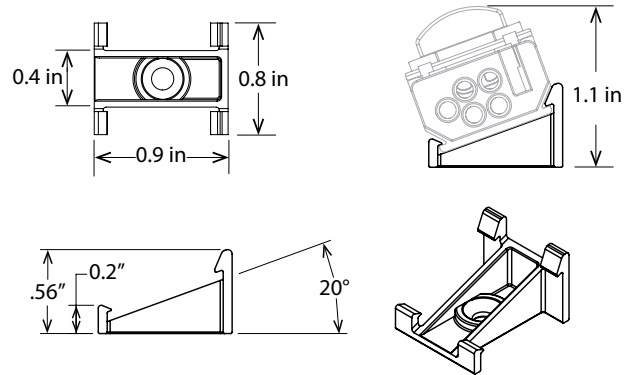
MOUNTING HARDWARE

C3A-MTGBRKT-SURF



18" maximum recommended spacing between mounting clips.

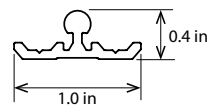
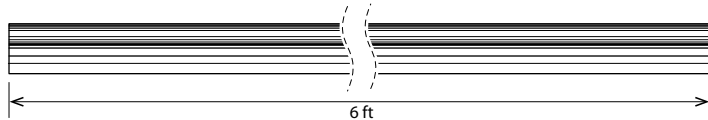
C3A-MTGBRKT-SURF-20



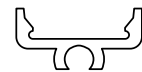
18" maximum recommended spacing between mounting clips.

60° ROTATIONAL MOUNTING HARDWARE (FOR UP OR DOWN LIGHTING)

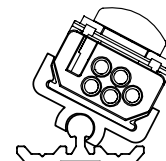
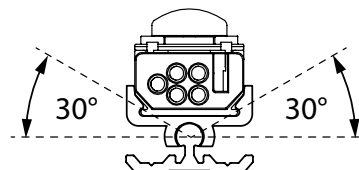
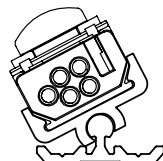
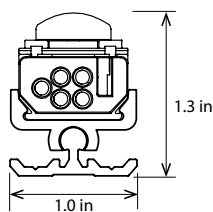
Mounting Track (ROT-MTGTRK-A6)



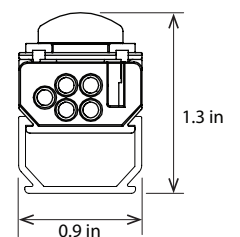
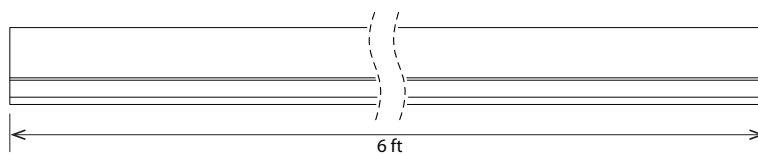
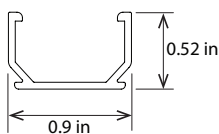
Mounting Bracket (ROT-MTGBRK-C3)



18" maximum recommended spacing between mounting clips.



C3A-MTGTRK (Extra support for down and vertical lighting applications.)

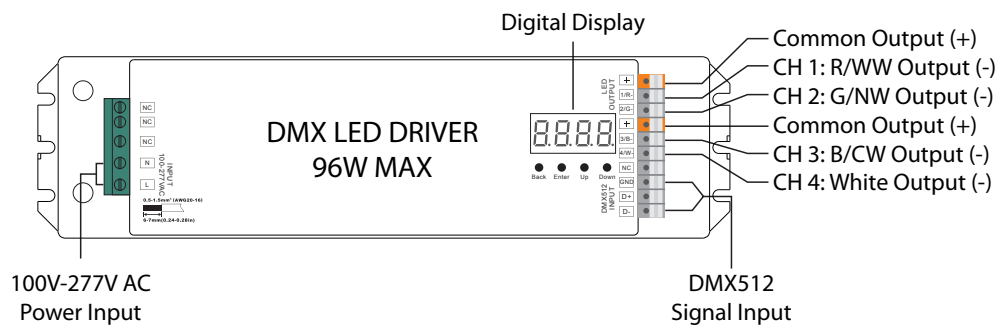


CLiP 3 dynamic

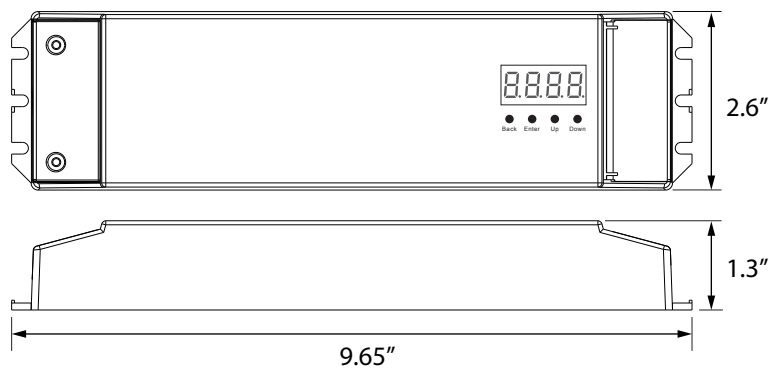
• DMX RGB, RGB-WHITE, RGB-AMBER & TUNABLE WHITE

DIMENSIONAL INFORMATION

DMX LED DRIVER (PWR-UNV-EM-96-DMX)



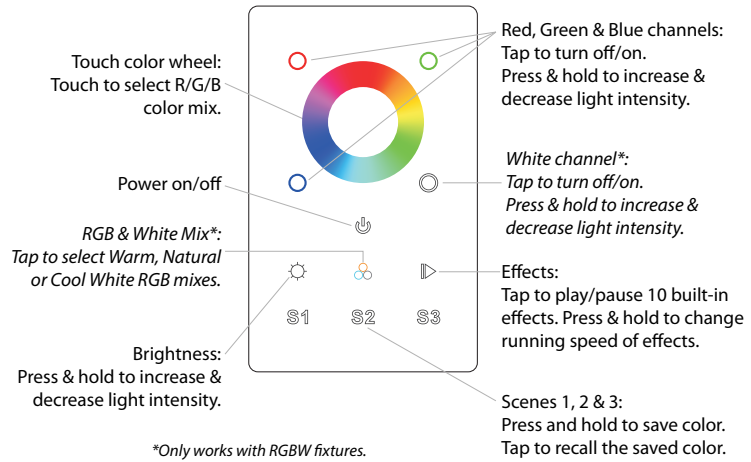
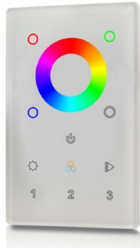
Dimensions



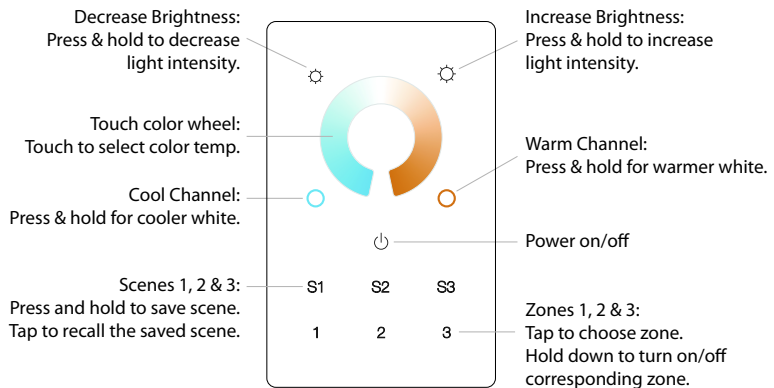
CLiP 3 dynamic

• DMX RGB, RGB-WHITE, RGB-AMBER & TUNABLE WHITE

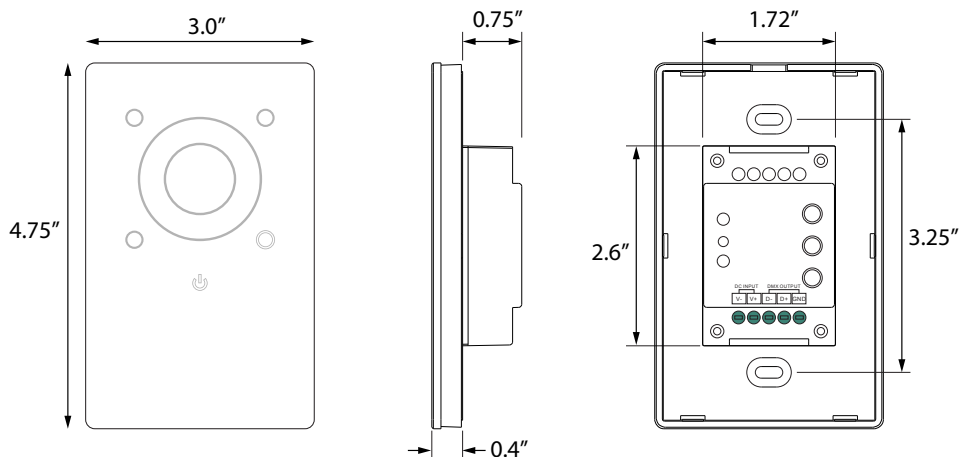
Wall Mounted Touch Controller RGB DMX512



Wall Mounted Touch Controller Tunable White DMX512



Dimensions



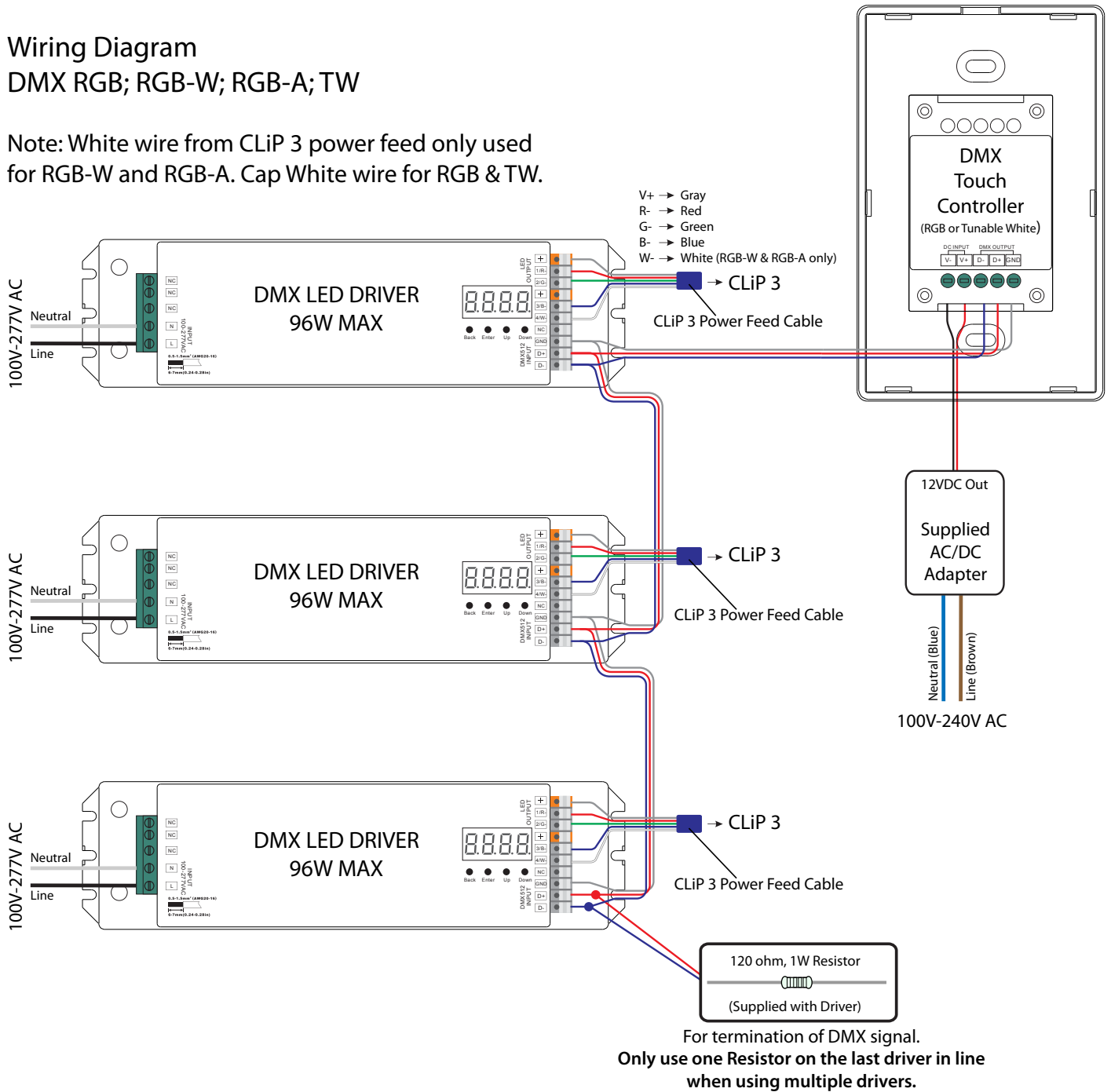
CLiP 3 dynamic

- DMX RGB, RGB-WHITE, RGB-AMBER & TUNABLE WHITE

Wiring Diagram

DMX RGB; RGB-W; RGB-A; TW

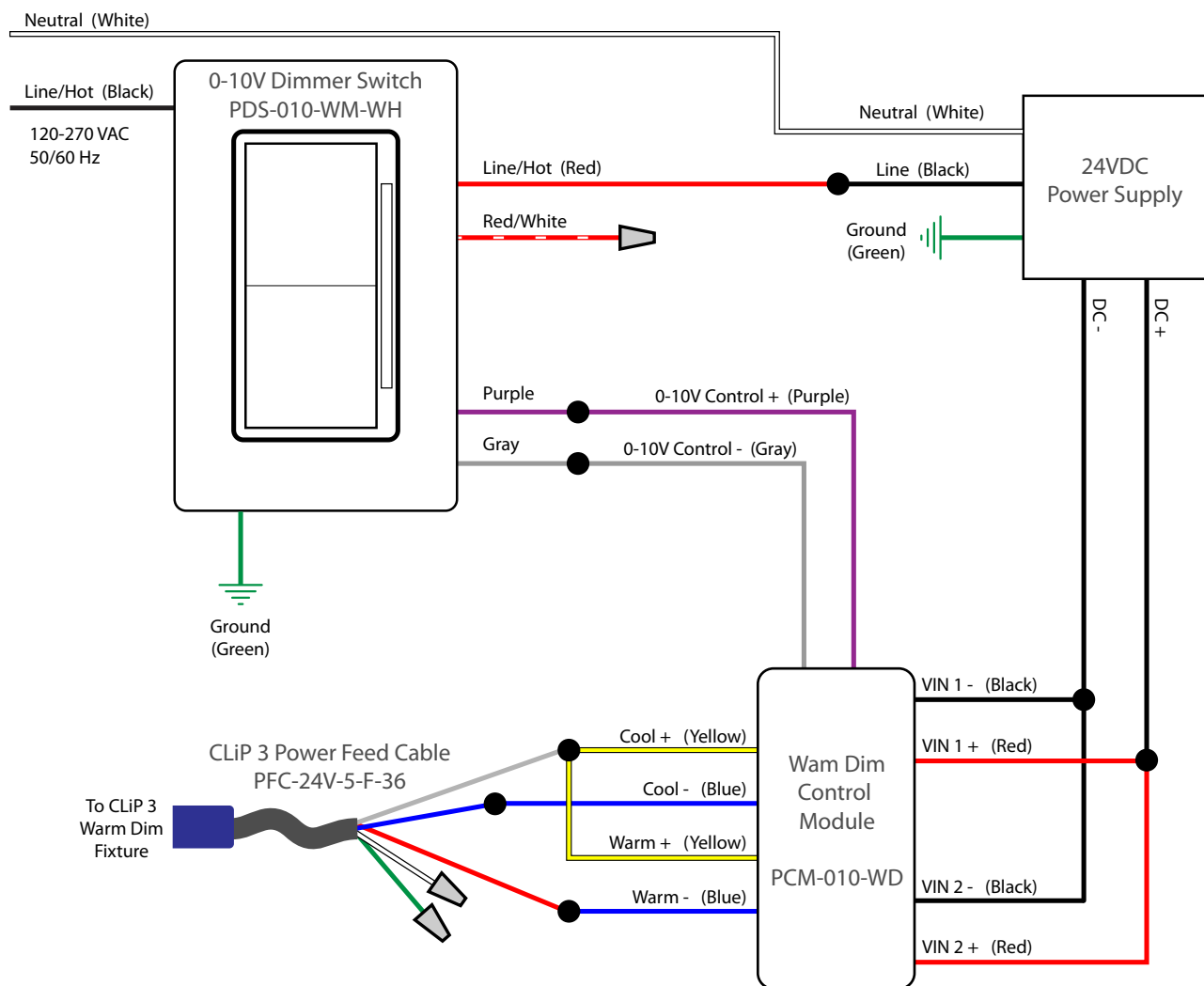
Note: White wire from CLiP 3 power feed only used for RGB-W and RGB-A. Cap White wire for RGB & TW.



CLiP 3 dynamic

• 0-10V WARM DIM

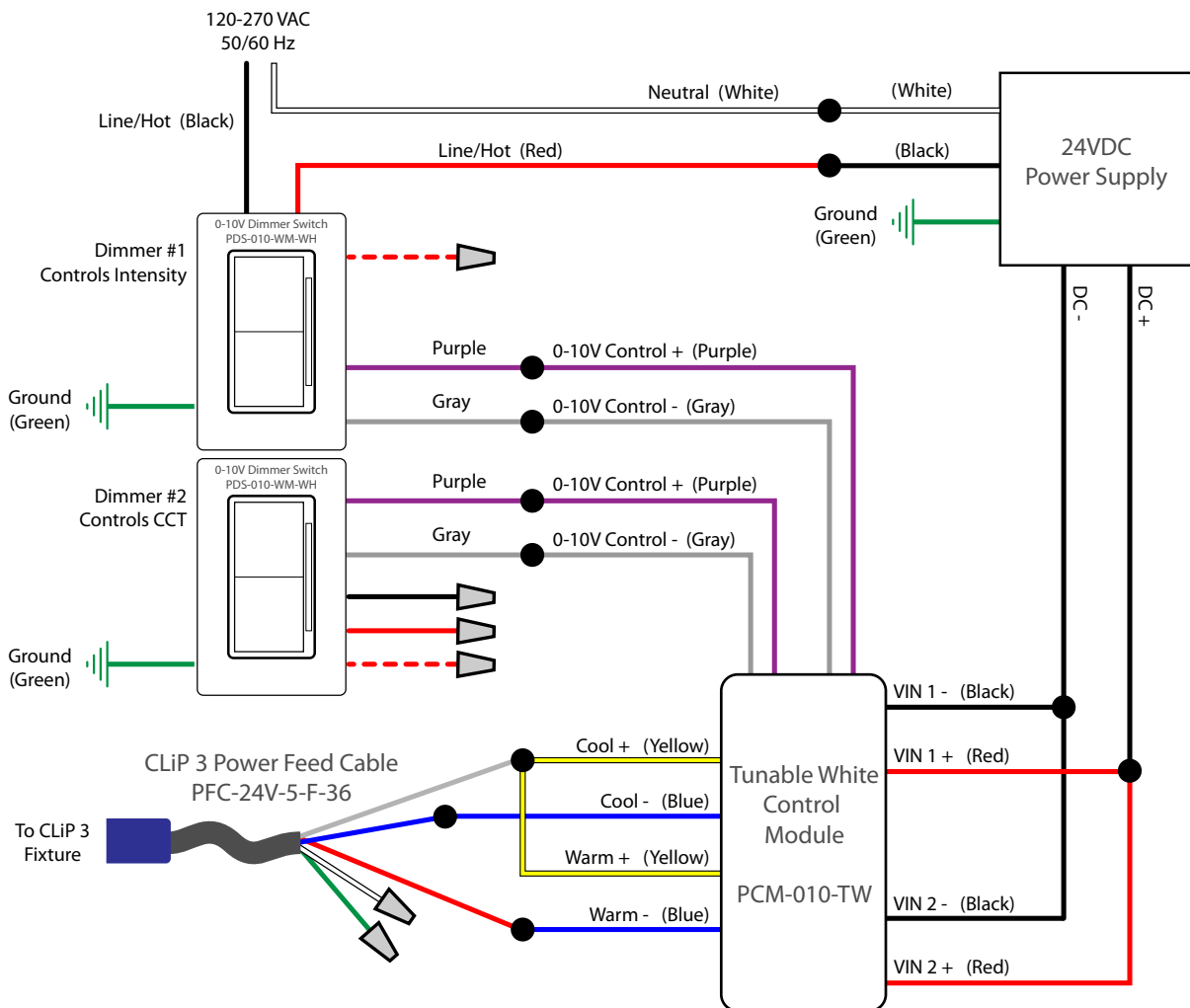
Wiring Diagram 0-10V 2-Channel Warm Dim



CLiP 3 dynamic

• 0-10V WARM DIM

Wiring Diagram 0-10V 2-Channel Tunable White



Tempo Lighting reserves the right to change materials or modify the design of its product without notification as part of the company's continuing product improvement program. Please consult www.tempollc.com for the most up-to-date specifications and technical data.