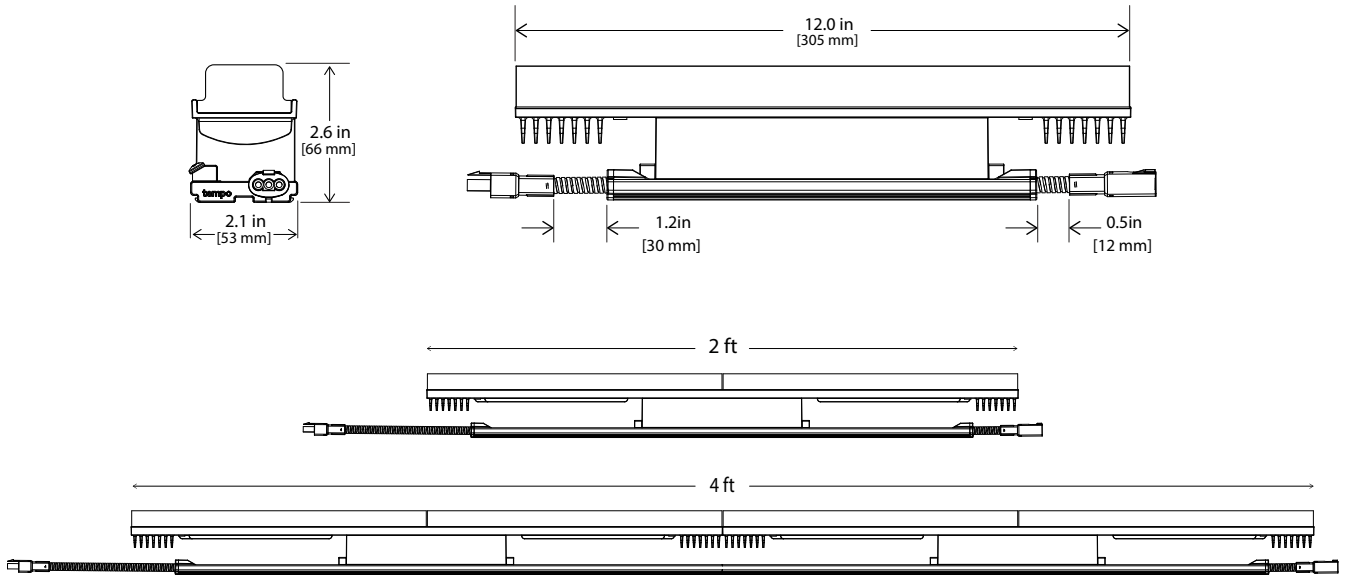


Rigid Sections



Serpentine Sections With 1 Footer

