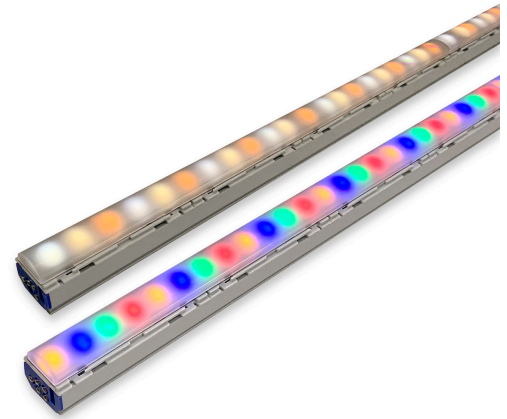


CLiP 3 Dynamic

- DMX RGB, RGB-WHITE, RGB-AMBER & TUNABLE WHITE.
- 0-10V WARM DIM.



INSTALLATION INSTRUCTIONS

Ratings, Hardware and Warning	Page 1
Fixture Installation Instructions	Page 2
DMX Driver & Wall Mount Touch Controller Details	Page 3-4
DMX Wiring Diagram	Page 5
0-10V Warm Dim Wiring Diagram	Page 6



WARNING:

Read and understand these instructions before installing. This product must be installed in accordance with the applicable installation code by a person familiar with the construction and operation of the product and the hazards involved. Turn off main power supply before you start installing.

ELECTRICAL RATINGS

Powered by remote low voltage 24VDC system.

HARDWARE PROVIDED

- (a) Power Feed Cable (PFC-24V-5-F-xx)
- (b) Power Supply (Order Separately)
- (c) Mounting Brackets (Order Separately)



a) Power Feed



b) Power Supply



c) Mounting Brackets

OPTIONAL HARDWARE

- (d) Jumper Feed Cable (JFC-24V-5-MF-xx)



d) Jumper Feed

CLiP 3 DYNAMIC INSTALLATION INSTRUCTIONS

FIXTURE INSTALLATION

STEP 1

Install mounting brackets & attach fixtures:

Mark a line on surface where the edge of fixture will be. Place mounting brackets on edge of marked line and secure with screws provided,

Figure 1.

Install fixtures on the mounting brackets by centering the fixture over the bracket and pushing fixture down, snapping fixture into bracket. **Figures 2 & 3.**

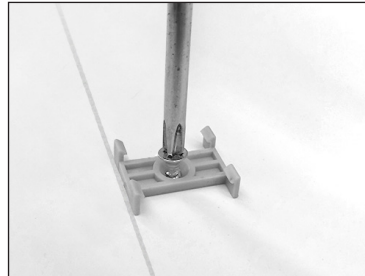


Figure 1

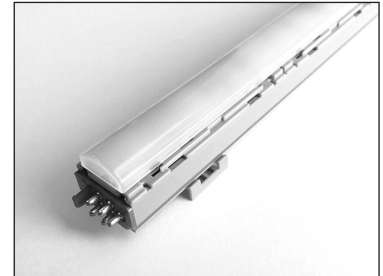


Figure 2

STEP 2

Connecting Power Feed:

Install power supply in approved enclosure in close proximity to luminaire.

Connect the female connector on the Power Feed to the male connector on the fixture by lining up pins & locking tab and pressing female connector into fixture, **Figure 4.**

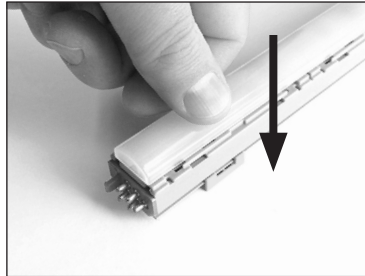


Figure 3



Figure 4

Connect the other end of the Power Feed to the output of the corresponding power supply.

NOTE: See following wiring diagrams for details as some models do not use all 5 wires.

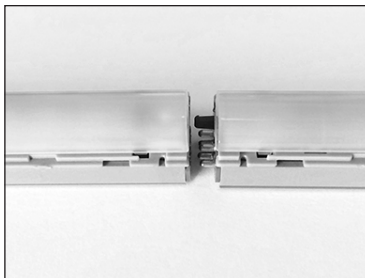


Figure 5

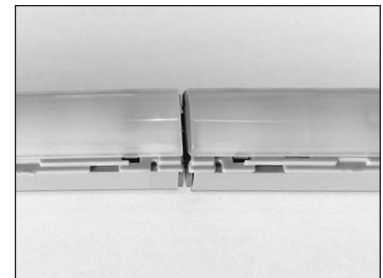


Figure 6

STEP 3

Connecting fixture to fixture:

Join fixtures together by directly connecting the male and female connectors on the fixture using same method used to connect power feed in Step 2, **Figure 5 & 6**, or by using the optional Jumper Feed Cable, **Figure 7.**

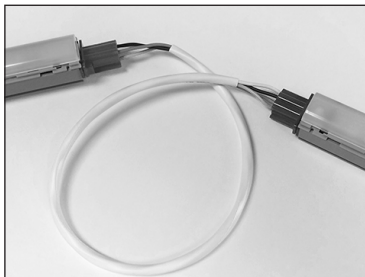
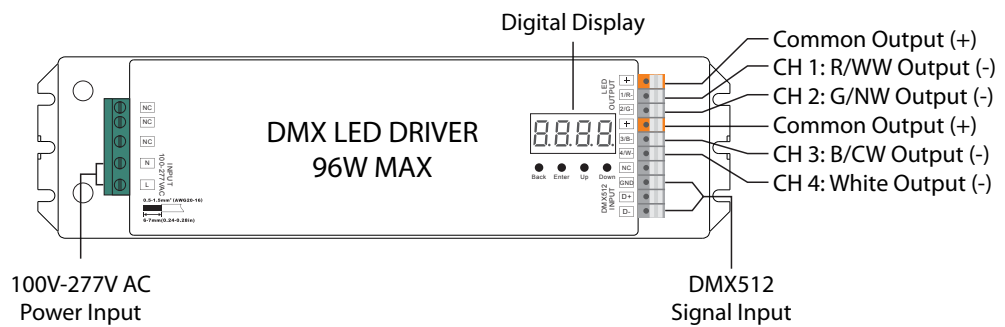


Figure 7

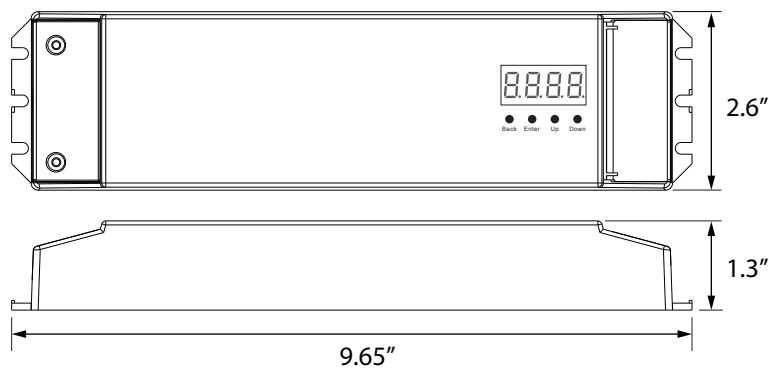
CLIP 3 DYNAMIC INSTALLATION INSTRUCTIONS

DRIVER DETAILS

DMX LED DRIVER (PWR-UNV-EM-96-DMX)



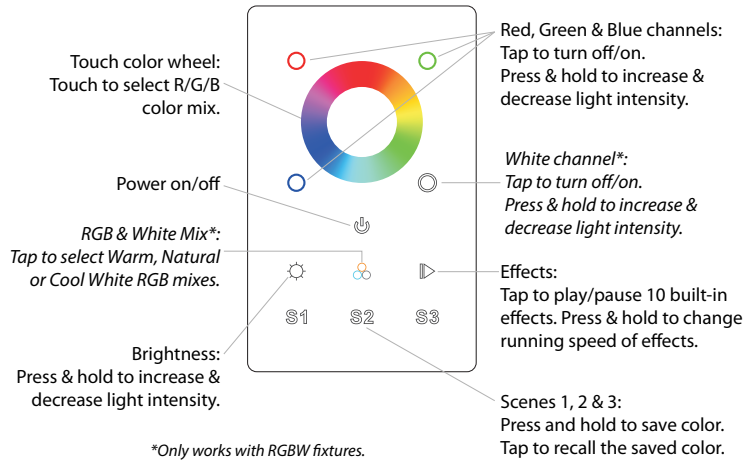
Dimensions



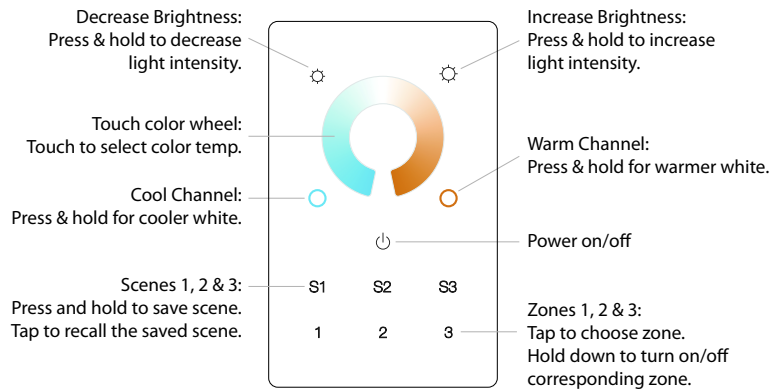
CLiP 3 DYNAMIC INSTALLATION INSTRUCTIONS

DMX WALL MOUNT TOUCH CONTROLLER DETAILS

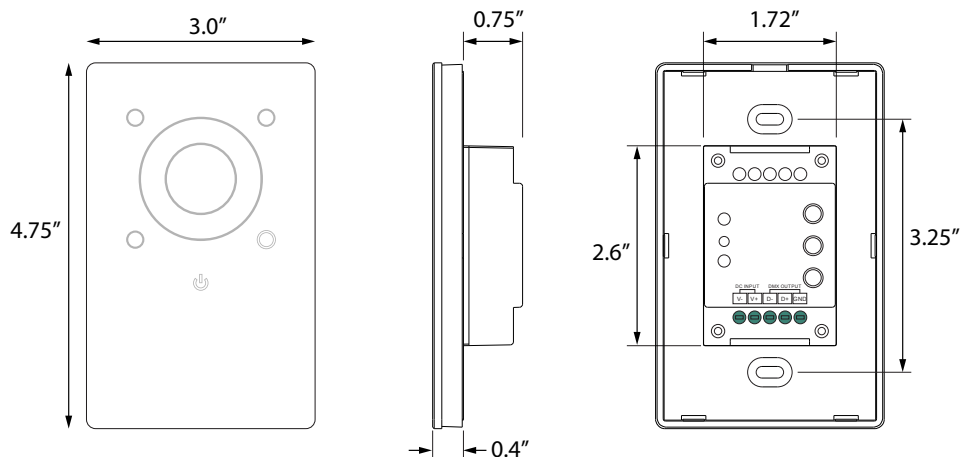
Wall Mounted Touch Controller RGB DMX512



Wall Mounted Touch Controller Tunable White DMX512



Dimensions



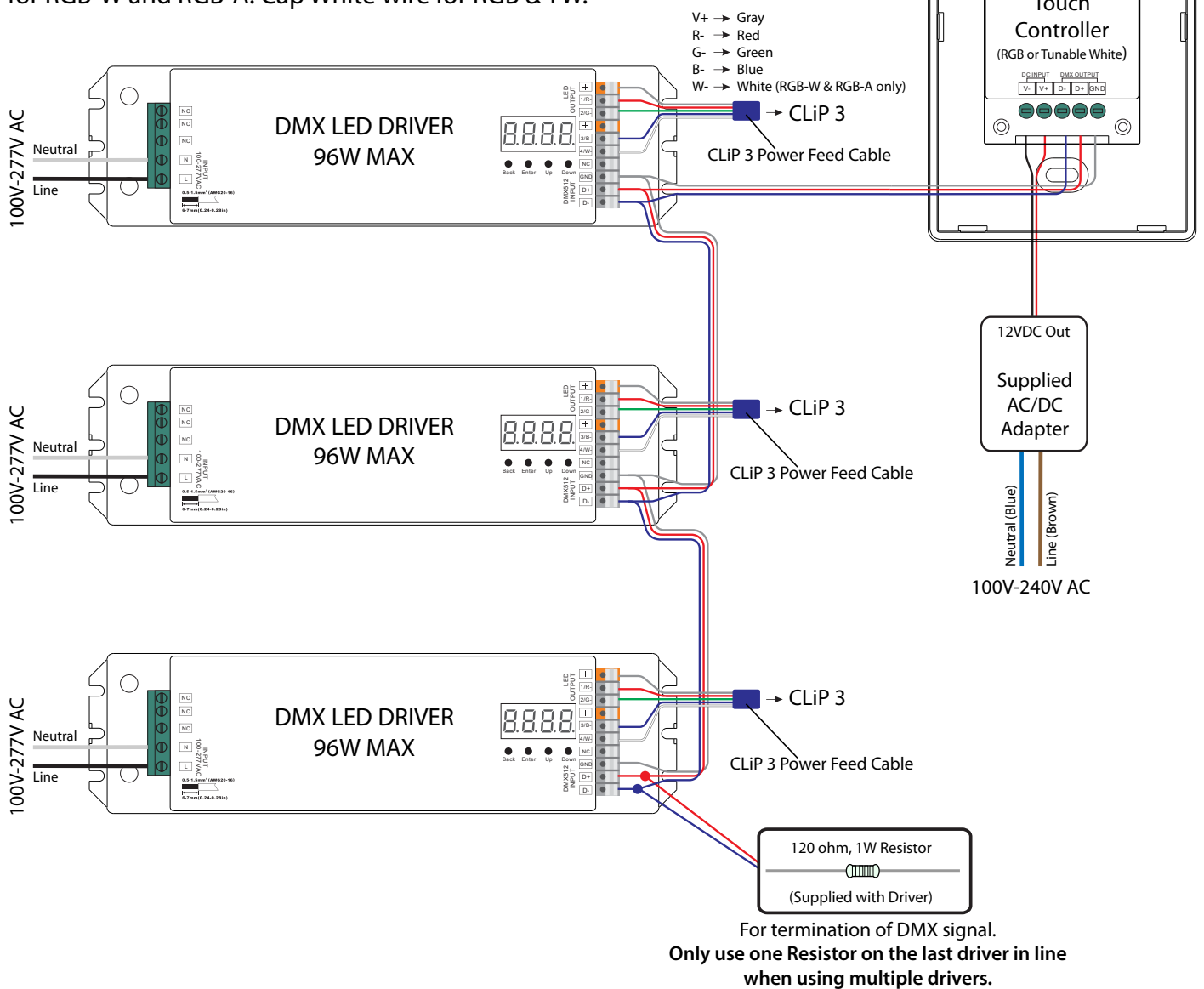
CLiP 3 DYNAMIC INSTALLATION INSTRUCTIONS

WIRING DIAGRAMS

Wiring Diagram

DMX RGB; RGB-W; RGB-A; TW

Note: White wire from CLiP 3 power feed only used for RGB-W and RGB-A. Cap White wire for RGB & TW.



CLiP 3 DYNAMIC INSTALLATION INSTRUCTIONS

WIRING DIAGRAMS

Wiring Diagram 0-10V 2-Channel Warm Dim

