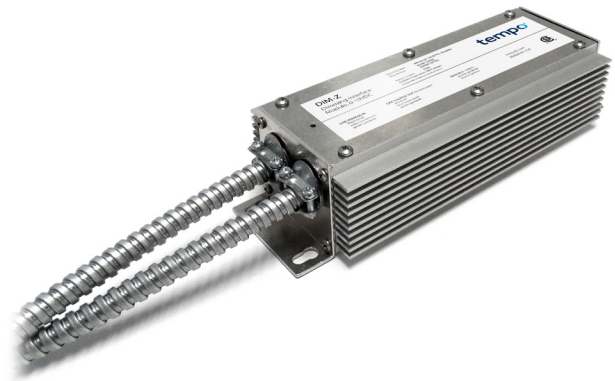


DIM-Z

DIMMING INTERFACE MODULE

CONVERTS 0-10V SIGNAL TO ELECTRONIC LOW VOLTAGE (ELV) SIGNAL



INSTALLATION INSTRUCTIONS

Ratings and Warning.....	Page 1
Installation Instructions.....	Page 2
Wiring Diagrams.....	Page 3-5



WARNING:

Read and understand these instructions before installing. This product must be installed in accordance with the applicable installation code by a person familiar with the construction and operation of the product and the hazards involved. Turn off main power supply before you start installing.

ELECTRICAL RATINGS

Universal 120V-277V input

50/60 Hz

600w Max (120V input); 1,350W Max (277V input)

Tempo recommends using Surge Suppression Device (SSD) on each circuit to protect DIM-Z and fixtures.

Source current out of 0-10V (+) Purple wire min/max:	0mA / 0.5mA
Absolute voltage range on 0-10V (+) Purple wire min/max:	0V / 15V
Sink current into the 0-10V (+) Purple wire min/max:	0uA / 1uA

IMPORTANT:

- DIM-Z spacing to other DIM-Z modules and/or other heat producing components shall have minimum 3" spacing to sidewalls, minimum 2" spacing to top of DIM-Z and mounted no closer than 1" end to end.
- Distance from DIM-Z to first fixture not to exceed 500 feet
- Distance from 0-10V dimmer to DIM-Z modules should not exceed 100 feet.

WARRANTY INFORMATION:

5 year warranty only valid when used with Tempo fixtures.

Limited warranty when used with non-Tempo fixtures. **Any testing for compatibility between the DIM-Z and all non-Tempo fixtures is the sole responsibility of customer. Tempo assumes no liability for malfunctions or defects when DIM-Z is used with fixtures other than Tempo's.** Contact Tempo for more information on testing other manufacturers fixtures with DIM-Z to qualify for limited warranty.

DIM-Z

DIMMING INTERFACE MODULE

CONVERTS 0-10V SIGNAL TO ELECTRONIC LOW VOLTAGE (ELV) SIGNAL

INSTALLATION



Turn off main power supply prior to installation.

STEP 1

Connect to power:

Connect the input line power to the Black (live) and White (Neutral) to input power wires on DIM-Z.

Connect the input ground wire to the one of the Green ground wires on DIM-Z.

Note: Tempo recommends using Surge Suppression Device (SSD) on each circuit to protect DIM-Z and fixtures. See wiring diagram for details on using Surge Suppression Device.

STEP 2

Connect the 0-10V Dimming Signal:

Connect the Purple wire to the (+) side of 0-10V signal.

Connect the Pink wire to the (-) side of 0-10V signal.

NOTE: Pre-2022 models have Gray wire for (-) 0-10V signal.

STEP 3

Connect to fixtures:

Connect the Red wire from DIM-Z to the Line wire from fixture.

Connect the Blue wire from DIM-Z to the Neutral wire from fixture.

Connect the Green wire from DIM-Z to the Ground wire from fixture.

TROUBLESHOOTING

DIM-Z is equipped with self-diagnostic fault indicator.

During normal operation the Red LED indicator light remains solid on.

When an error occurs, the LED first gives 8 slow blinks and then X number of fast blinks noted in table below. These error indicators continue as long as 0-10V input is above 1V. When 0-10V input goes below 1V, a soft reboot occurs to recover from error.

NUMBER OF RAPID BLINKS	DIAGNOSIS
1	Memory error - Power down entire system and restart.
2	Firmware is unable to determine the line frequency - consult factory
3	Memory error - Power down entire system and restart.
4 or 5	The load current is too high - reduce the load
6	The standby current is too high
7	The internal power supply is out of range - consult factory
8	A microprocessor reset occurred - Power down and re-start.

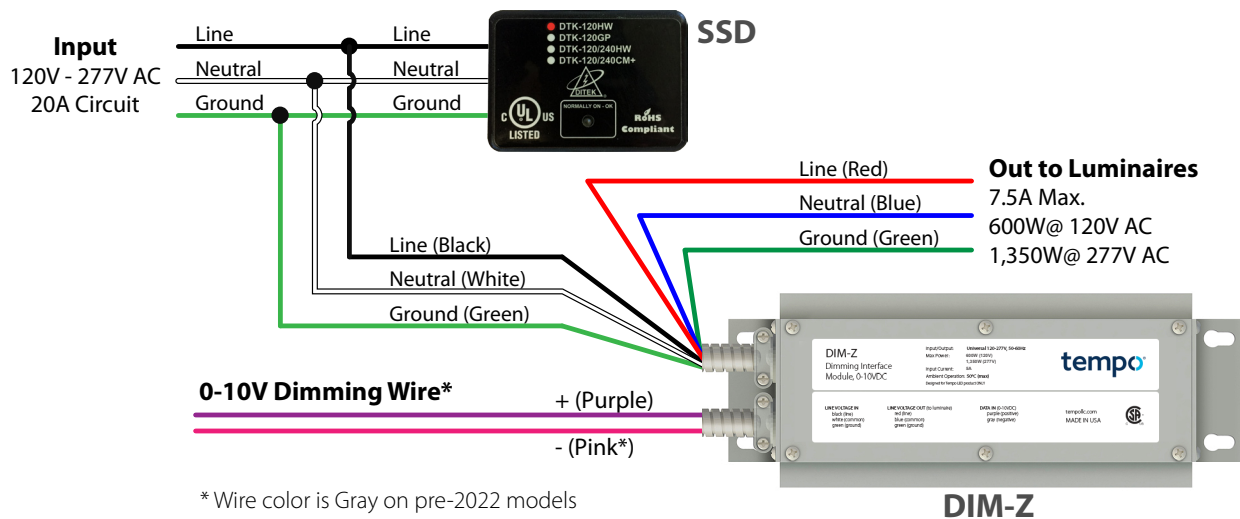
DIM-Z

DIMMING INTERFACE MODULE

CONVERTS 0-10V SIGNAL TO ELECTRONIC LOW VOLTAGE (ELV) SIGNAL

WIRING DETAIL

1 CIRCUIT, 1 SSD SURGE SUPPRESSION DEVICE, 1 DIM-Z



NOTE: No limit to number of runs from output of DIM-Z as long as total wattage does not exceed 600W@ 120V or 1,350W@ 277V.

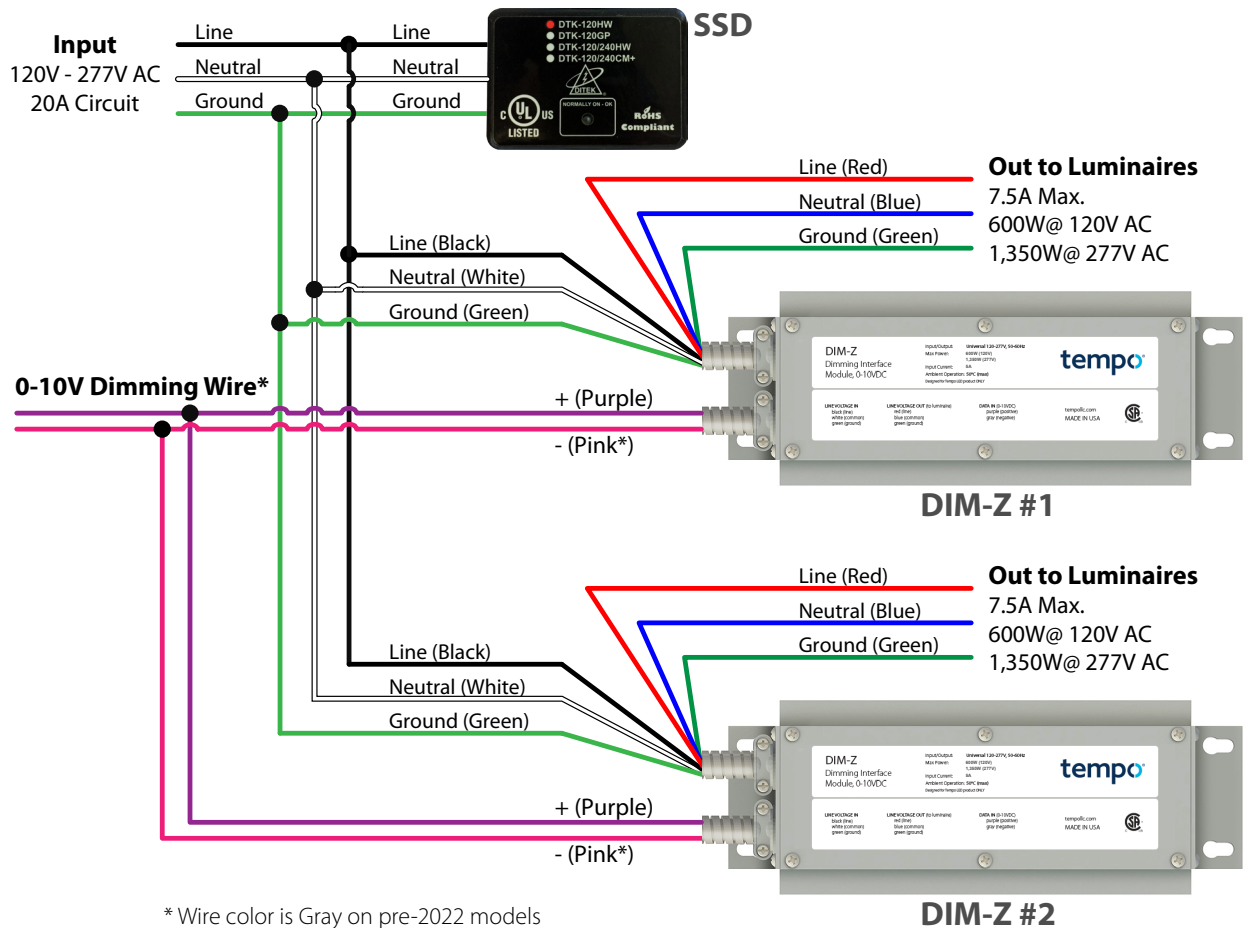
DIM-Z

DIMMING INTERFACE MODULE

CONVERTS 0-10V SIGNAL TO ELECTRONIC LOW VOLTAGE (ELV) SIGNAL

WIRING DETAIL

1 CIRCUIT, 1 SSD SURGE SUPPRESSION DEVICE, 2 DIM-Z



NOTE: No limit to number of runs from single output of DIM-Z as long as total wattage does not exceed 600W@ 120V or 1,350W@ 277V.

DIM-Z

DIMMING INTERFACE MODULE

CONVERTS 0-10V SIGNAL TO ELECTRONIC LOW VOLTAGE (ELV) SIGNAL

WIRING DETAIL

2 CIRCUIT, 2 SSD, 4 DIM-Z

NOTE: No limit to number of runs from output of single DIM-Z as long as total wattage does not exceed 600W@ 120V or 1,350W@ 277V.

