

Vertical Light LED

VL1 POST MOUNT



INSTALLATION INSTRUCTIONS

Ratings, Hardware and Warning.....	Page 1
Installation Instructions.....	Page 2-3

ELECTRICAL RATINGS

The Vertical Light is a low voltage system, operating at 12V.

HARDWARE PROVIDED (BY OTHERS)

- 1) #26 Drill Bit (.147")
- 2) ½" Drill Bit
- 3) Hand Drill
- 4) Phillips Screw Driver

WARNING:



This product must be installed in accordance with the applicable installation code by a person familiar with the construction and operation of the product and the hazards involved.

Turn off main power supply before you start installing Vertical Light.

Vertical Light LED

VL1 POST MOUNT

INSTALLATION

STEP 1

After locating desired mounting height for VL1 on the 1½" diameter rail, mark and drill three mounting holes, using the base plate, on outside of rail, as shown in **Figure 1, 2 & 3**, using the #26 drill bit.

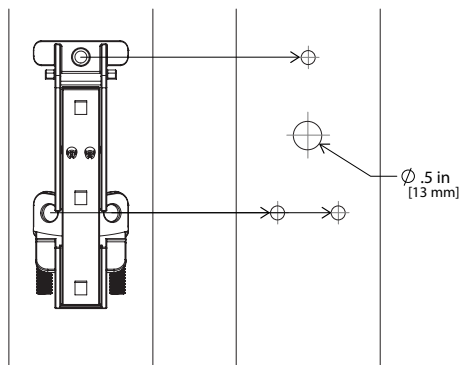


Figure 1

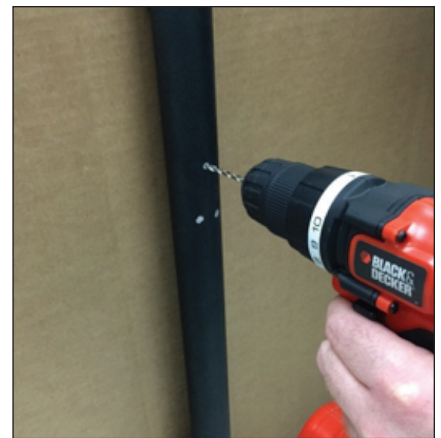


Figure 2

STEP 2

From center of top hole, measure and mark 0.75 of an inch down as shown in **Figure 3**, and drill using ½" drill bit, as shown in **Figure 4**.



Figure 3



Figure 4



Vertical Light LED

VL1 POST MOUNT

INSTALLATION (continued)

STEP 3

Drop attached conduit feed through center hole and mount fixture base using the 3 self-tapping screws provided, as shown in **Figure 5**.



Figure 5

STEP 4

Attach baffle to base and tighten set-screws, as shown in **Figure 6**.

STEP 5

Once fixture is mounted connect power to fixture by drilling a hole in the bottom of the Rail post to splice into power from raceway / step nose.



Figure 6