

6

5

4

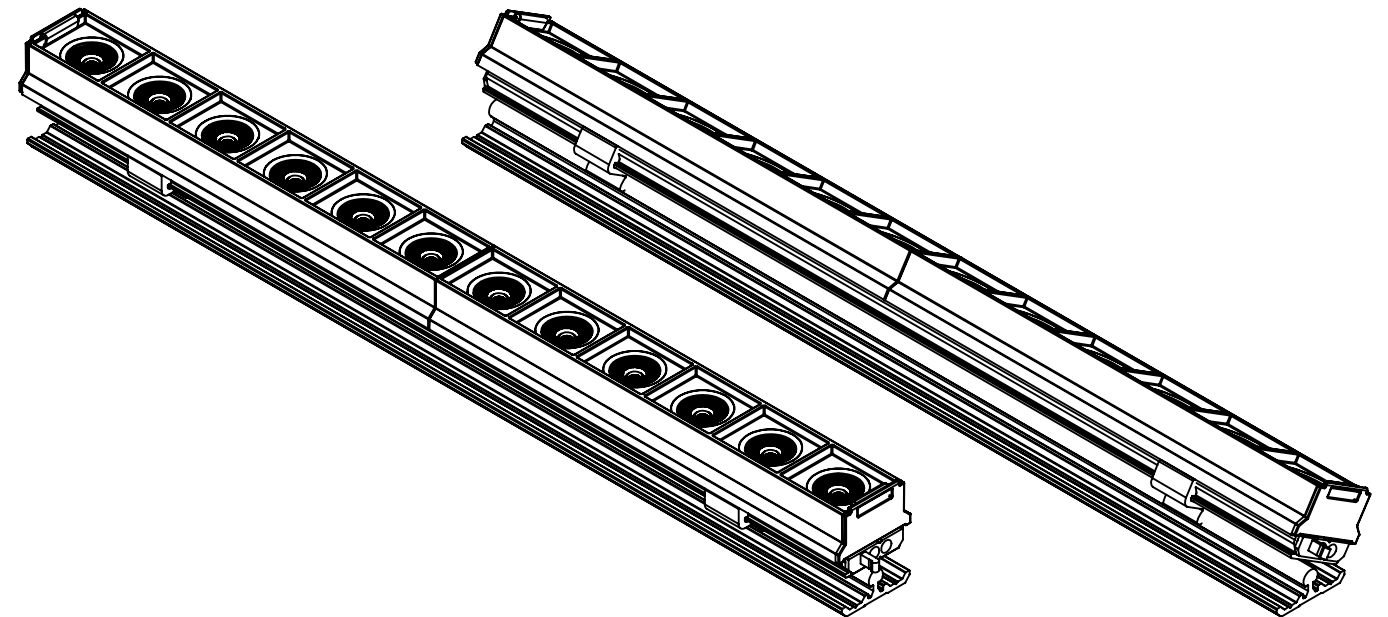
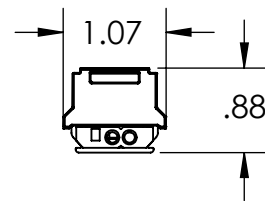
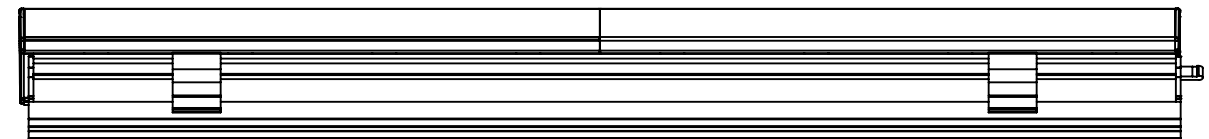
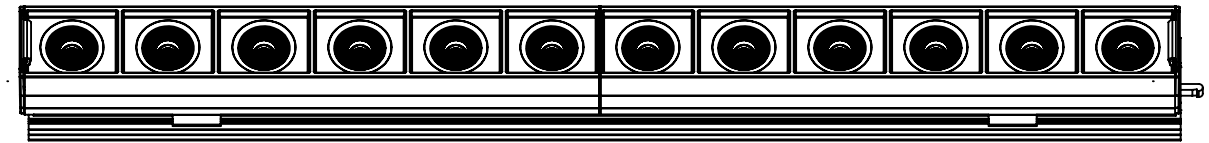
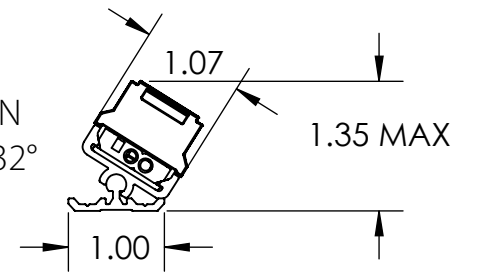
3

2

1

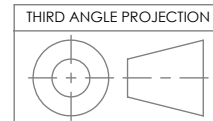
WITH ROTATIONAL MOUNTING SYSTEM

ROTATION  
-32° ~ +32°



UNLESS OTHERWISE SPECIFIED:

DIMENSIONS ARE IN INCHES  
 TOLERANCES:  
 ANGULAR: ± 1/2 DEG  
 DECIMAL: .X 0.030  
 .XX 0.015  
 .XXX 0.005  
 HOLES:  
 UNDER 0.500 ± 0.005  
 OVER 0.501 ± 0.010



DO NOT SCALE DRAWING

NAME	DATE
DRAWN jennifer m	1/26/2022
ENG APPR.	
PRODUCT	
COMMENTS:	
MATERIAL	
FINISH	
COLOR	



TITLE:  
C3 GRAZE

SIZE	PART. NO.	REV
B		

SCALE: 1:2    WEIGHT:    SHEET 1 OF 1