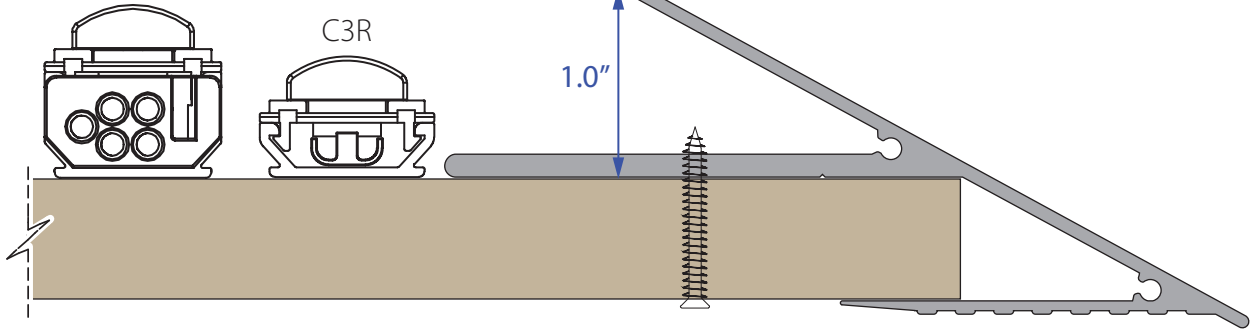
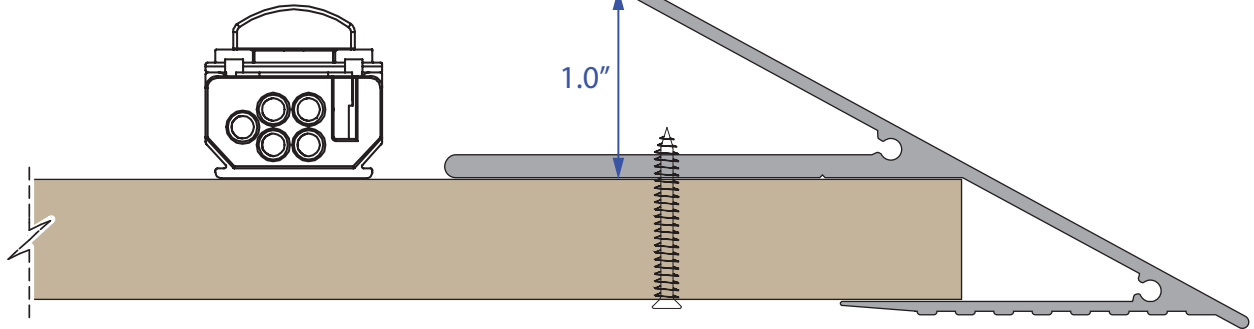


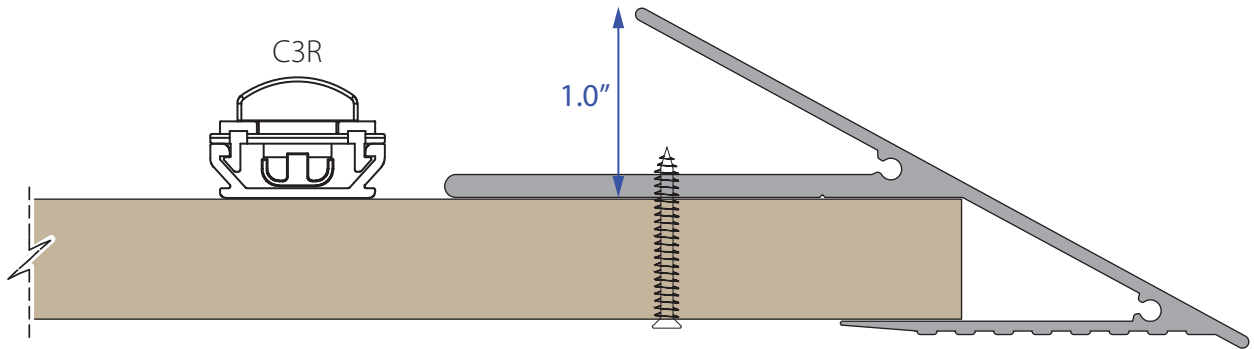
CLiP 3 Dynamic

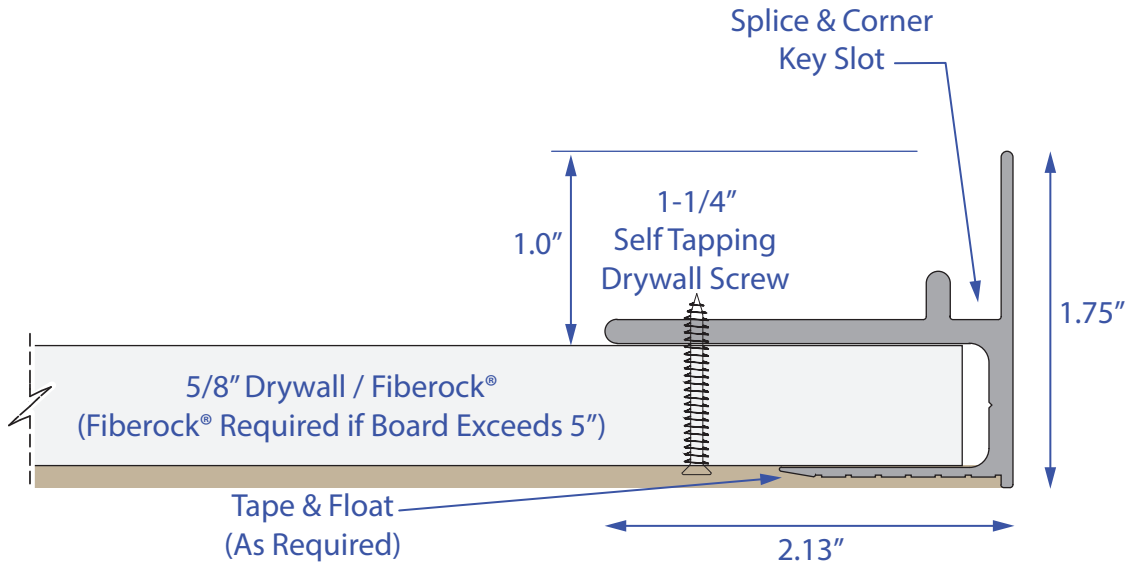


CLiP 3 Dynamic

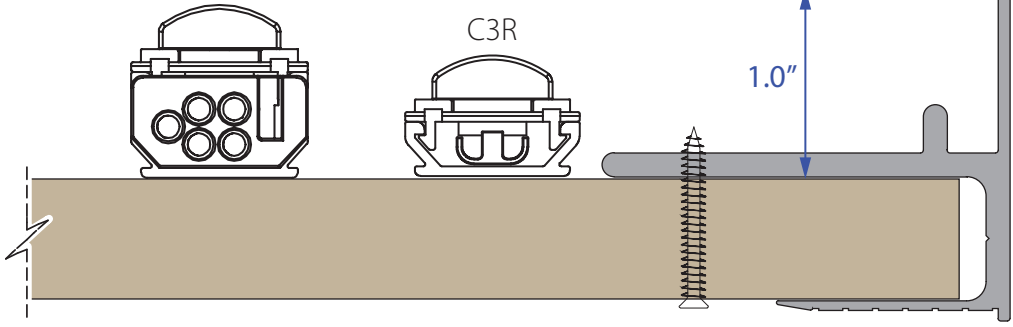


C3R

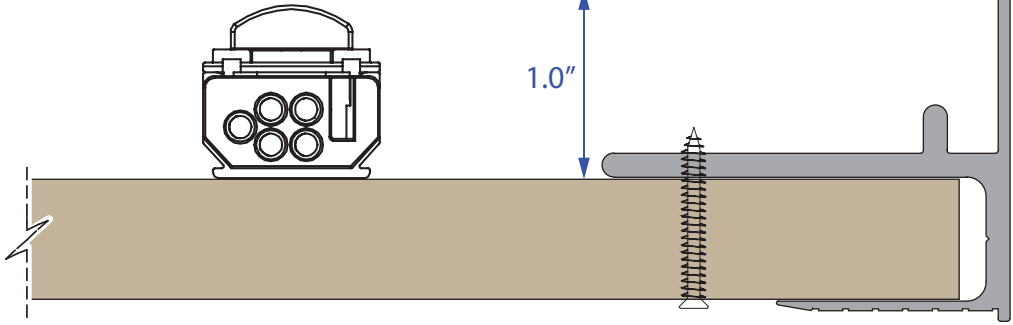




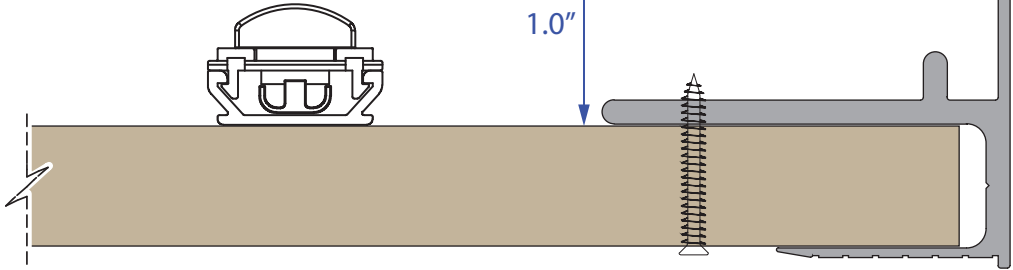
CLiP 3 Dynamic

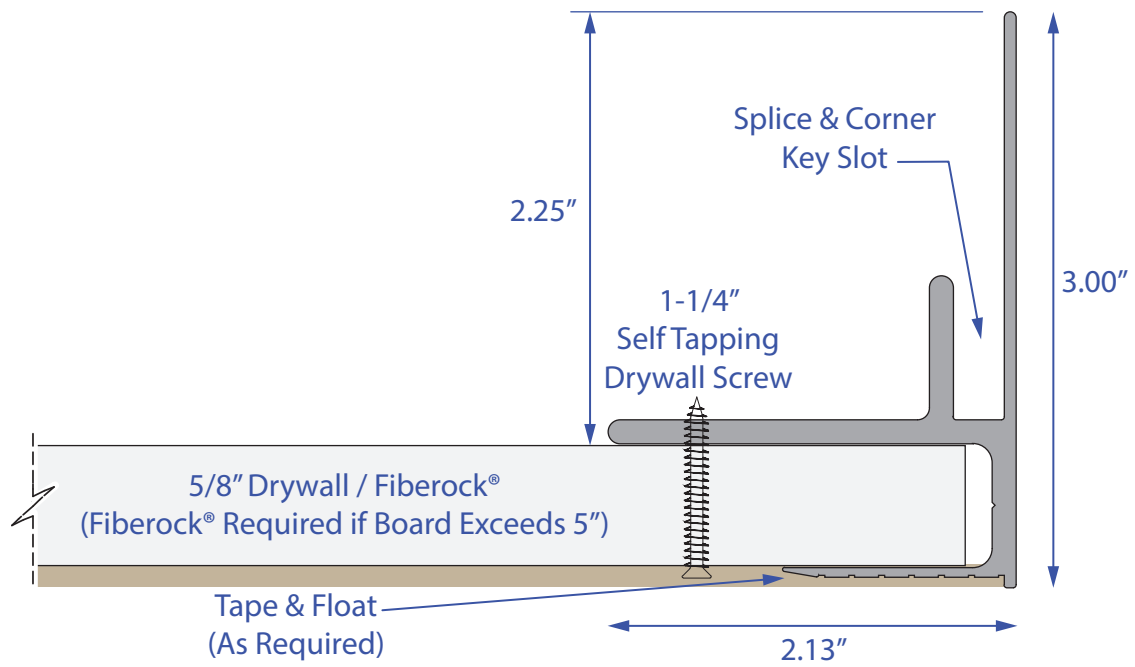


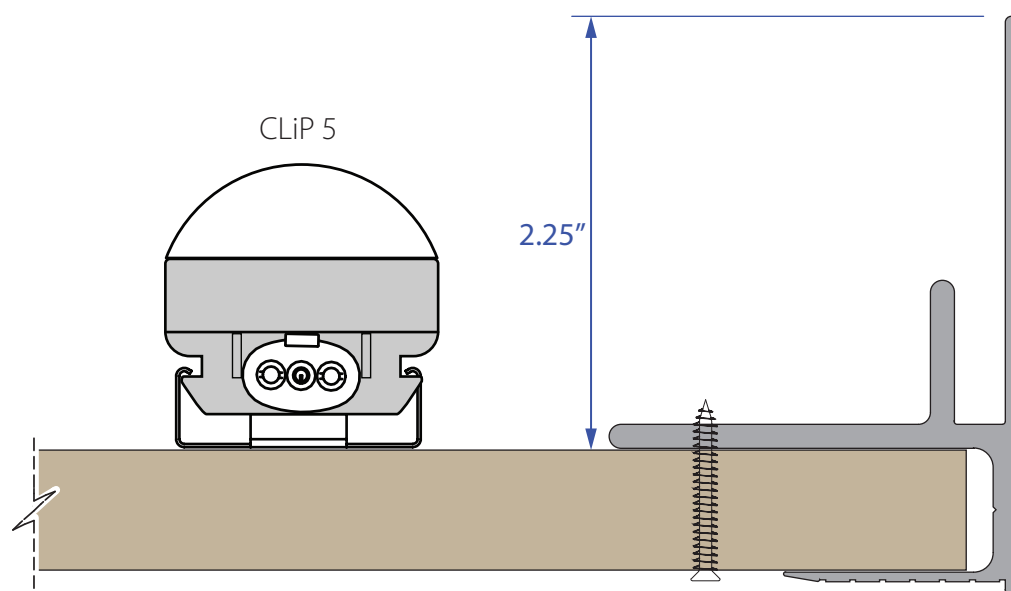
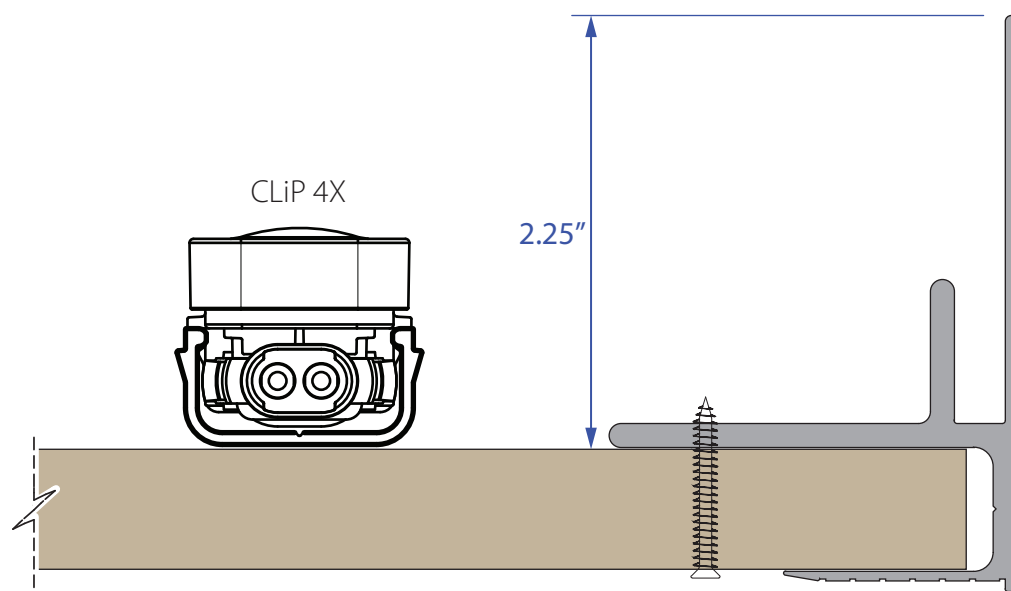
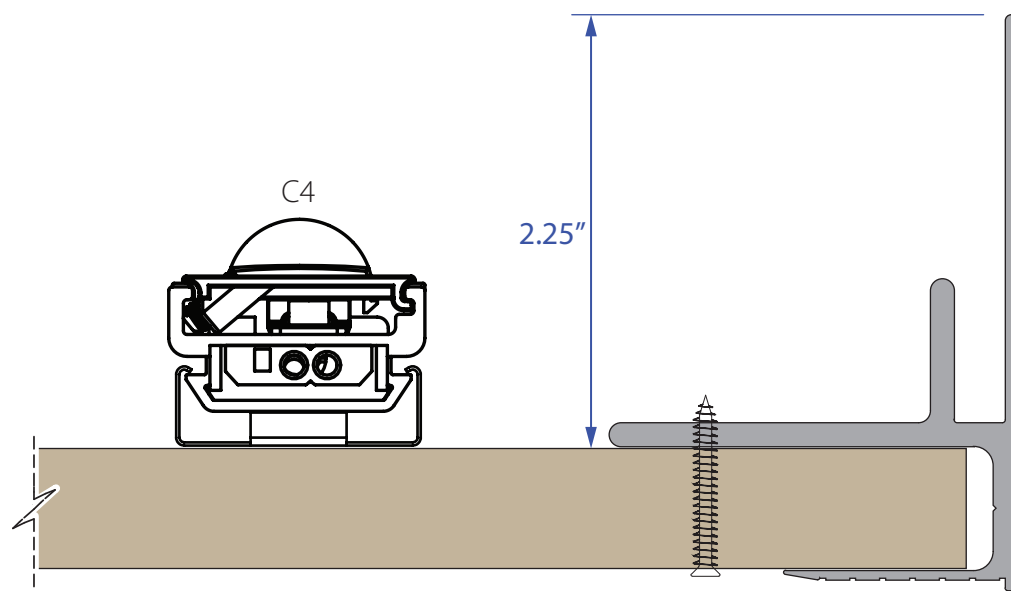
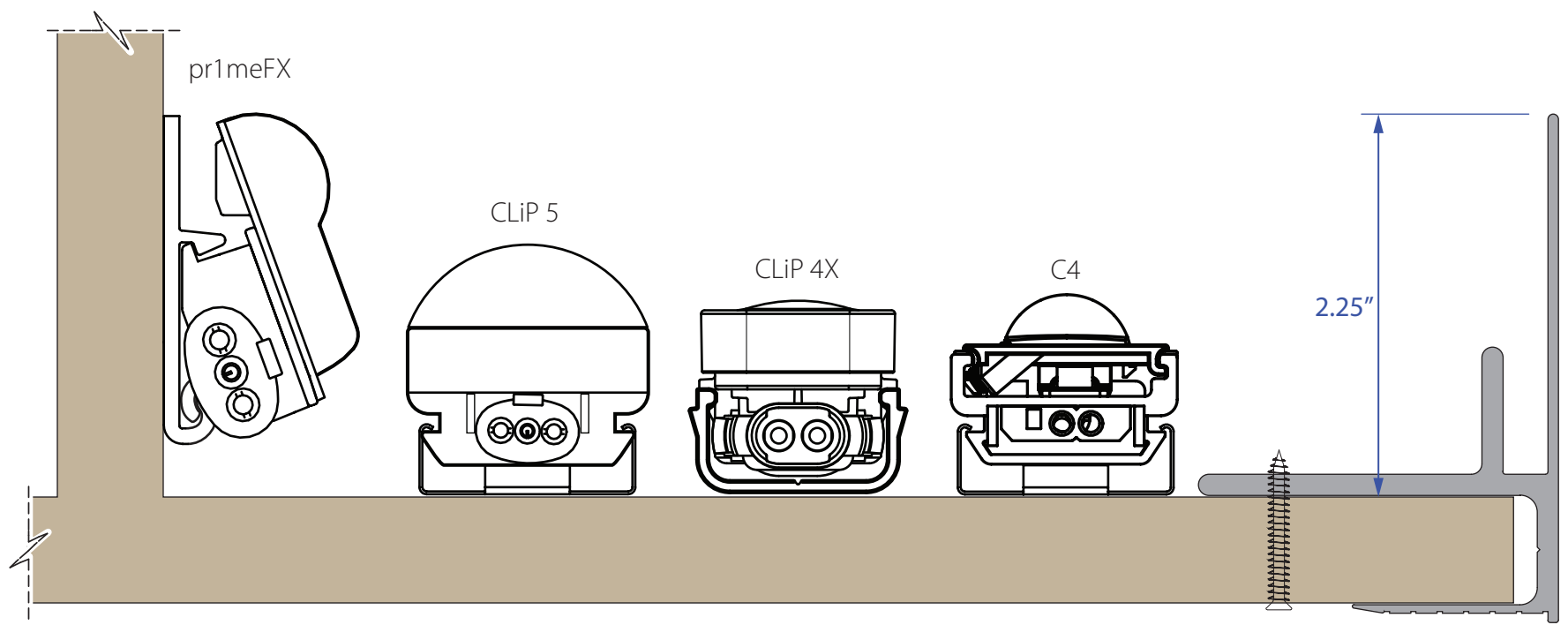
CLiP 3 Dynamic

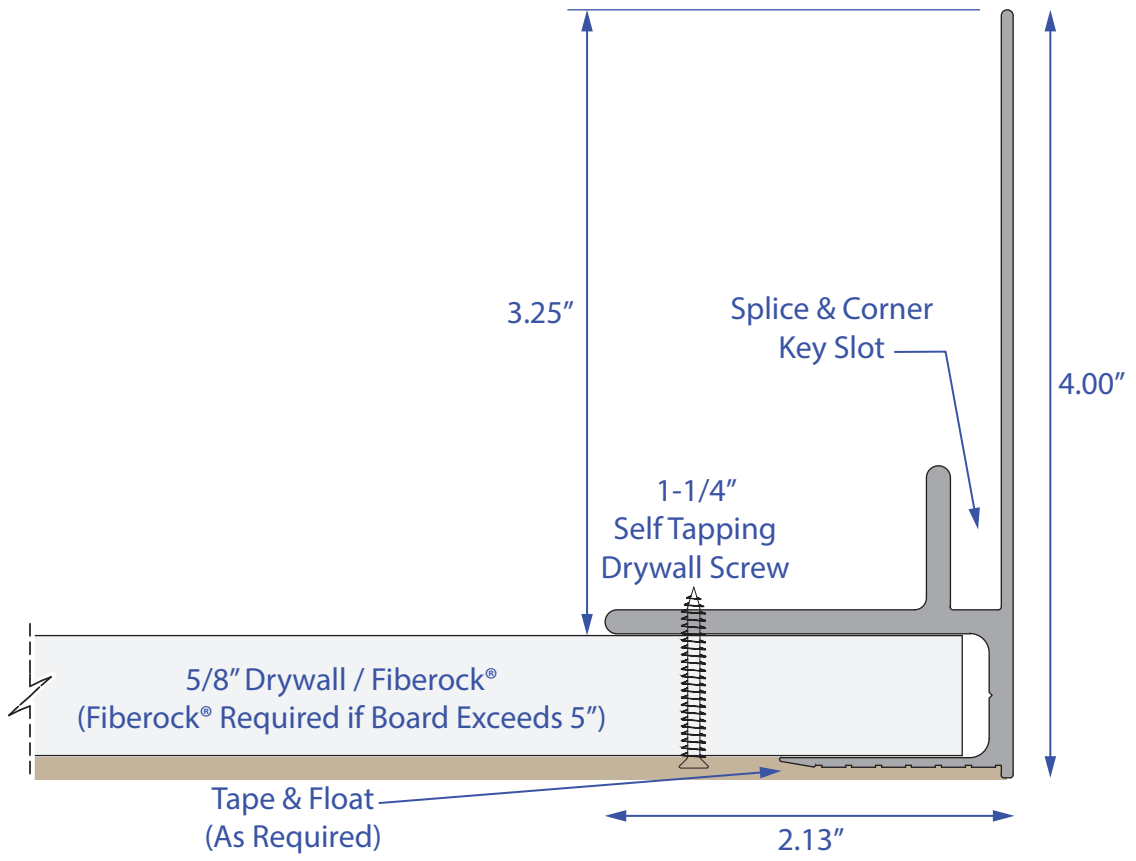


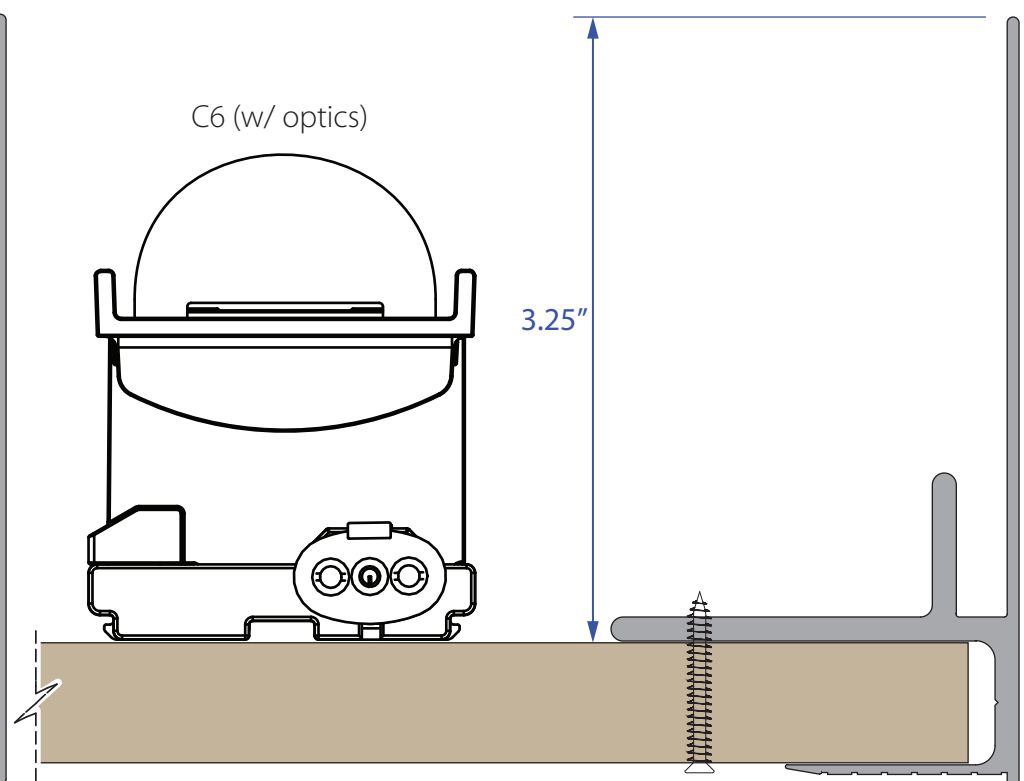
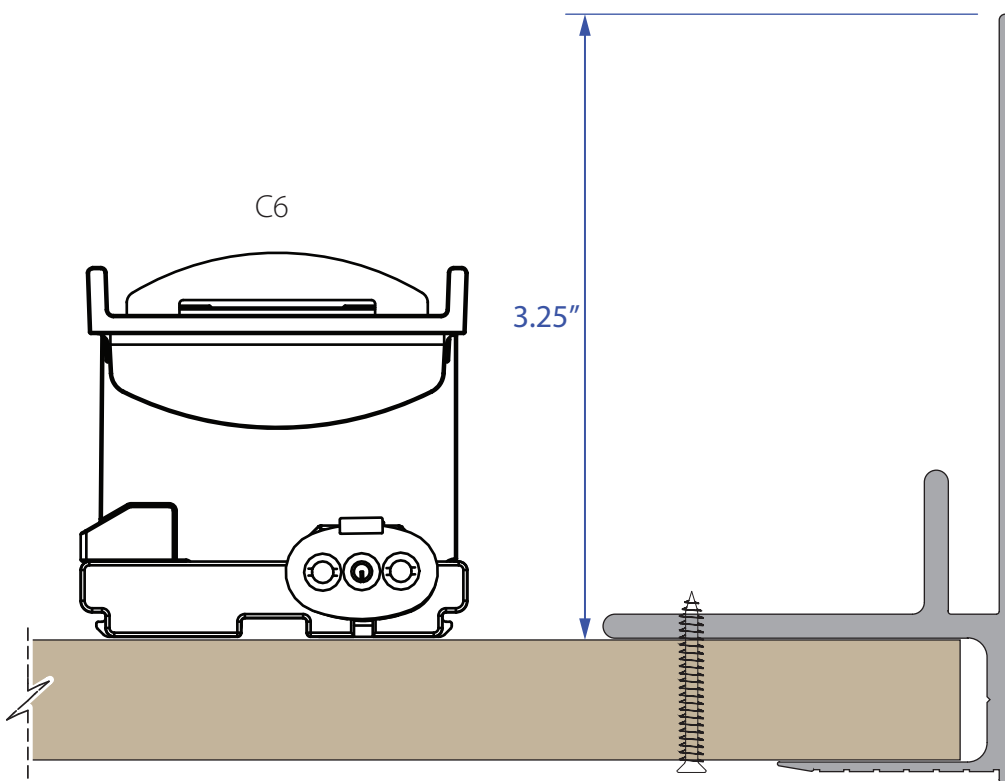
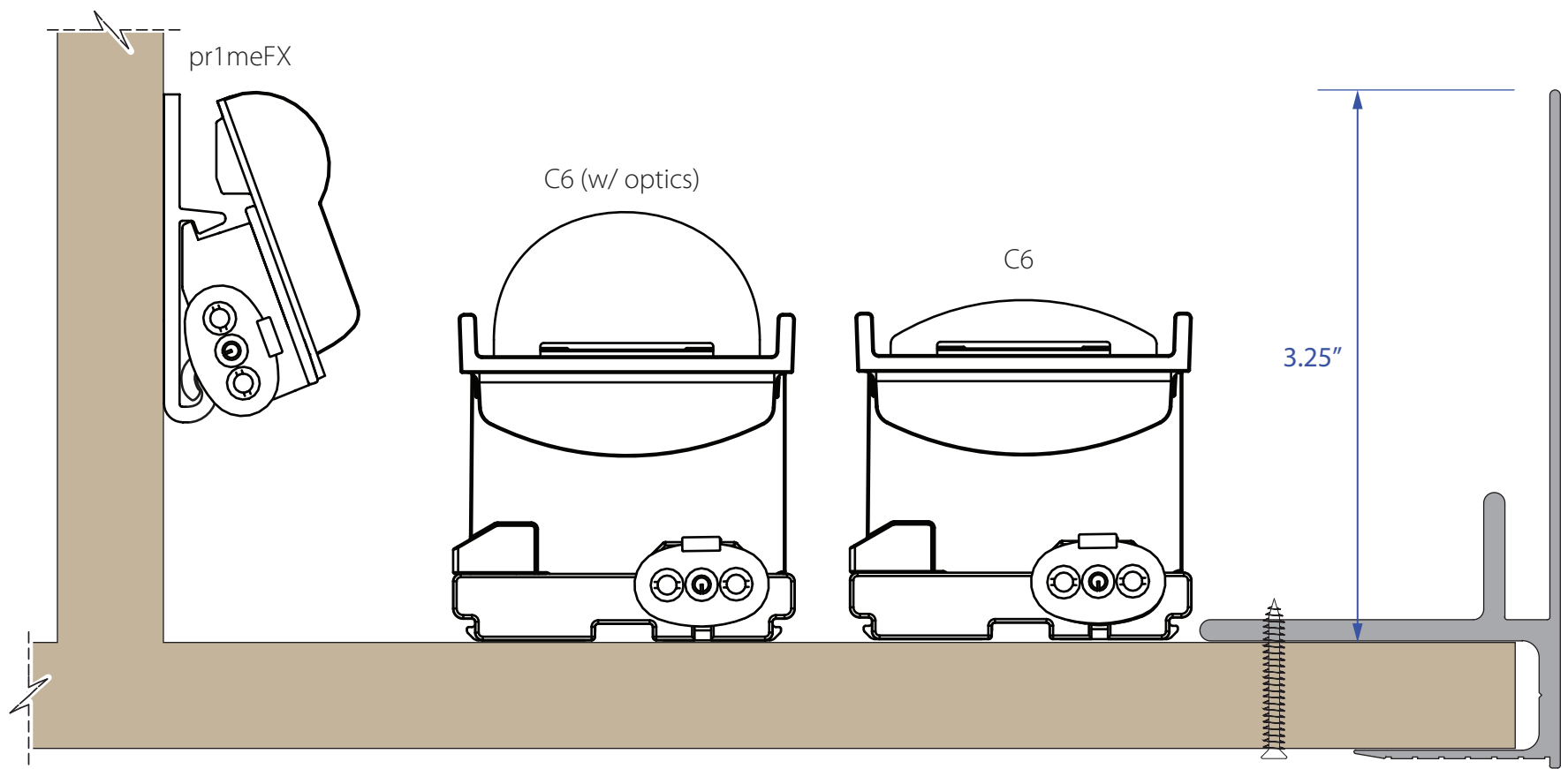
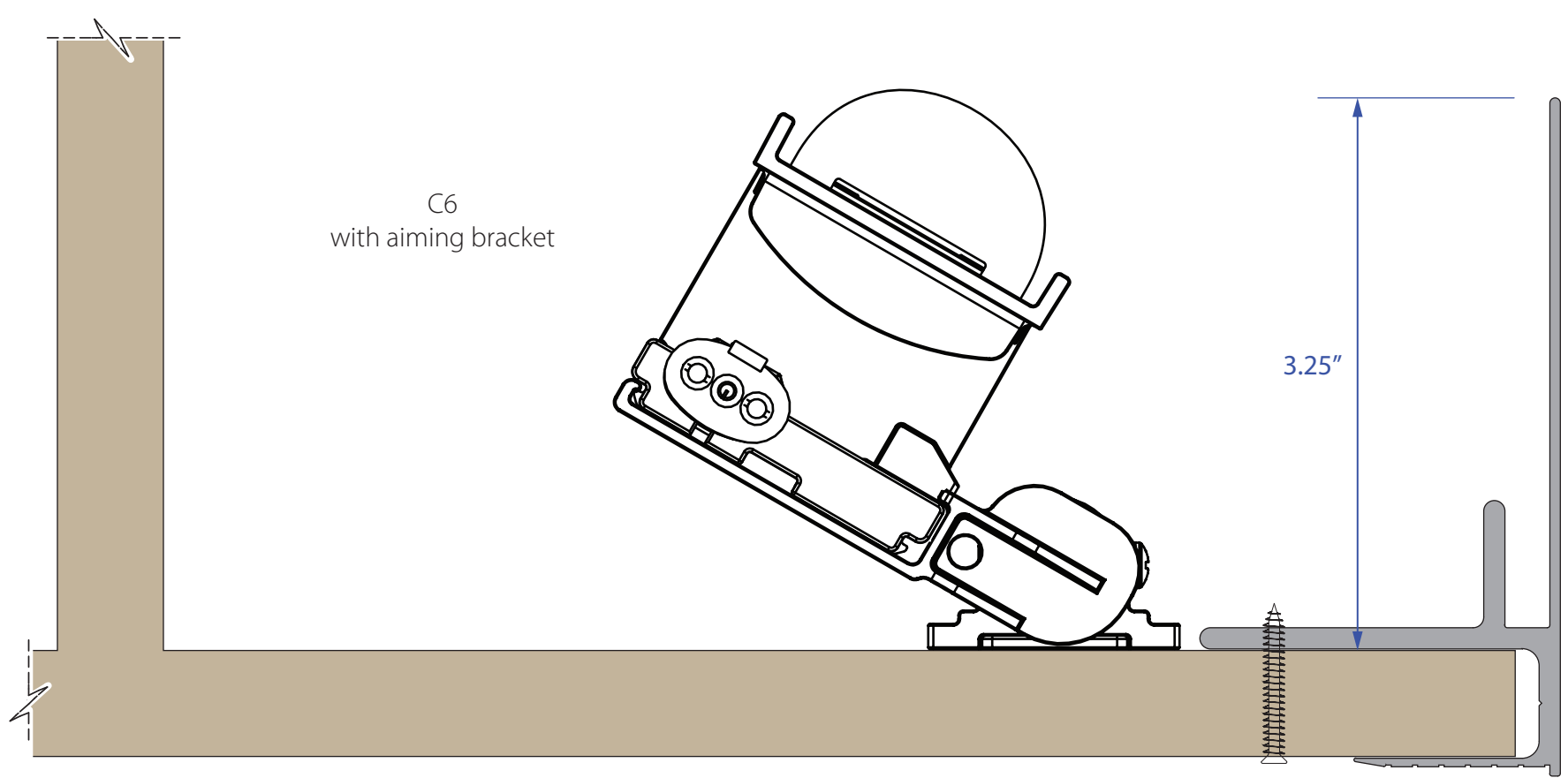
C3R



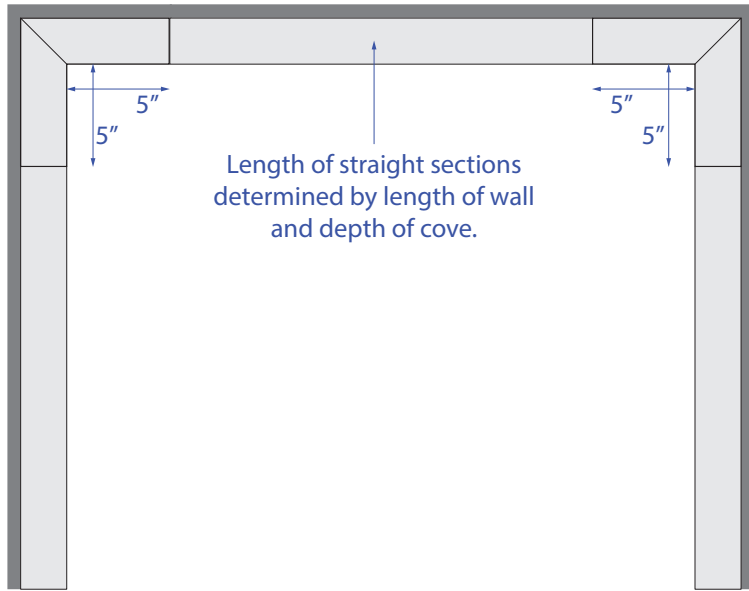




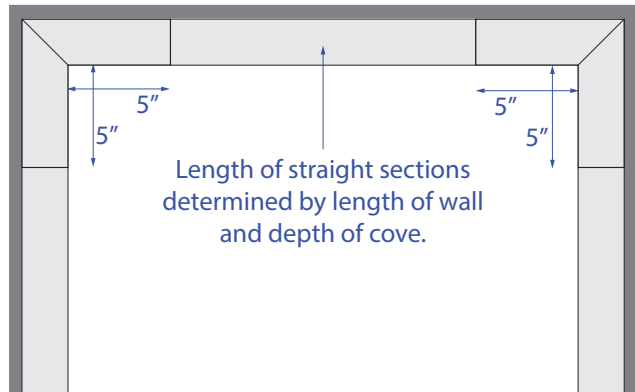
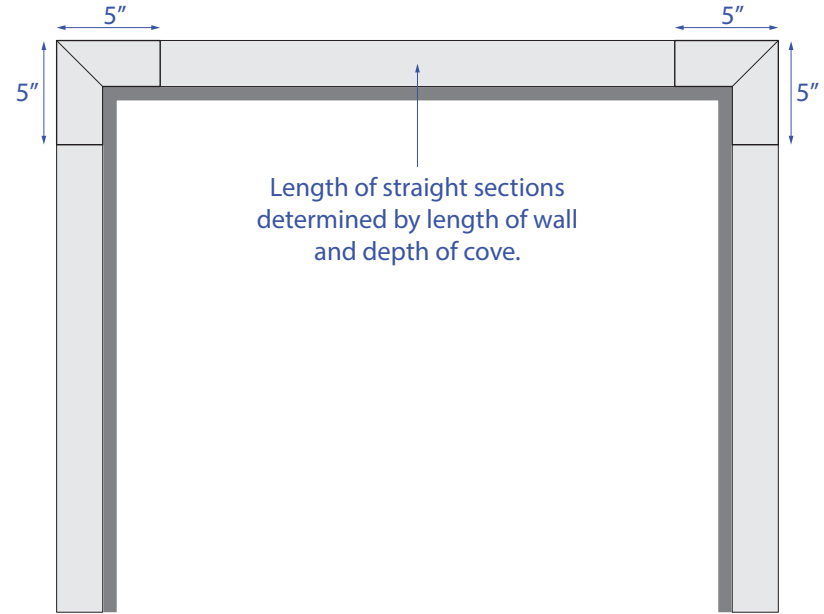




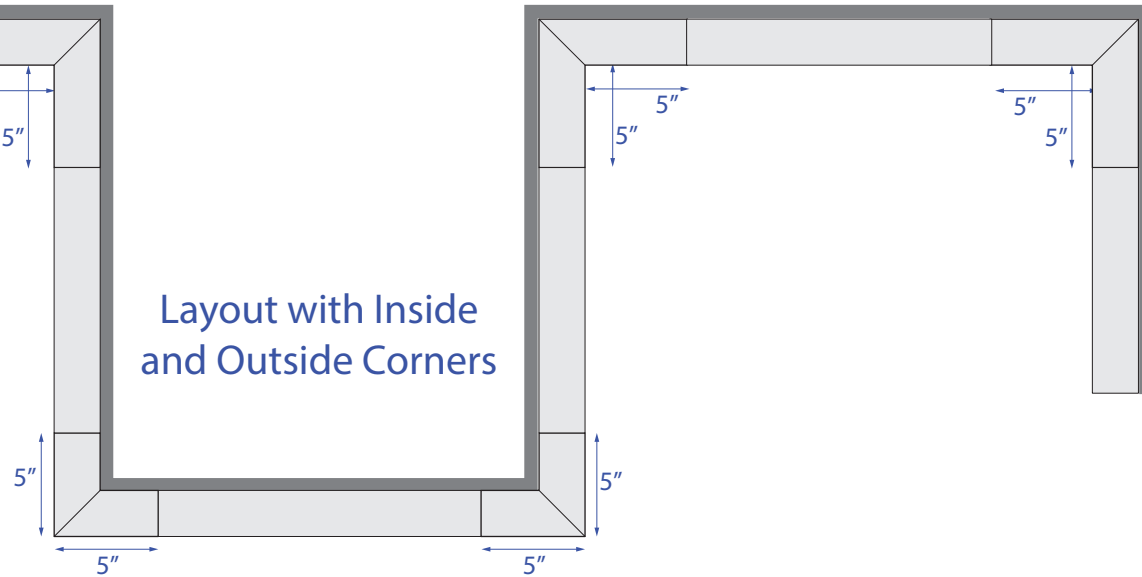
Using Pre-Fabricated Inside Corners (all models)



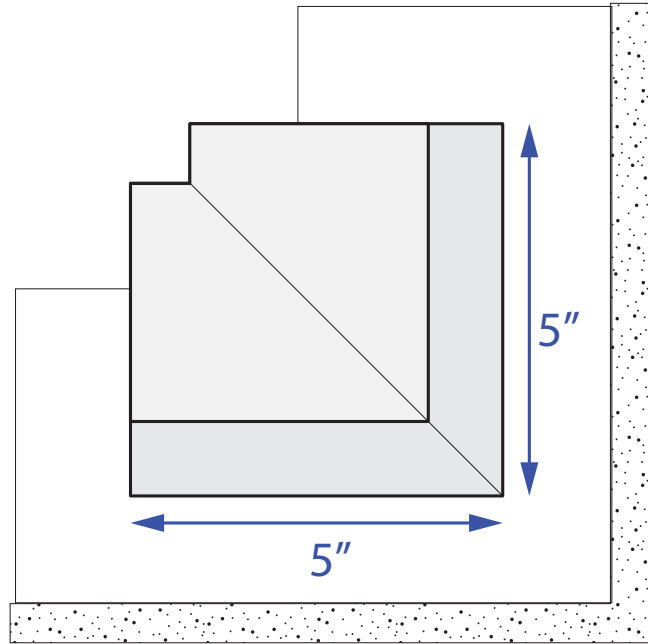
Using Pre-Fabricated Outside Corners (all models)



Layout with Inside and Outside Corners



Inside
Corner



Outside
Corner

