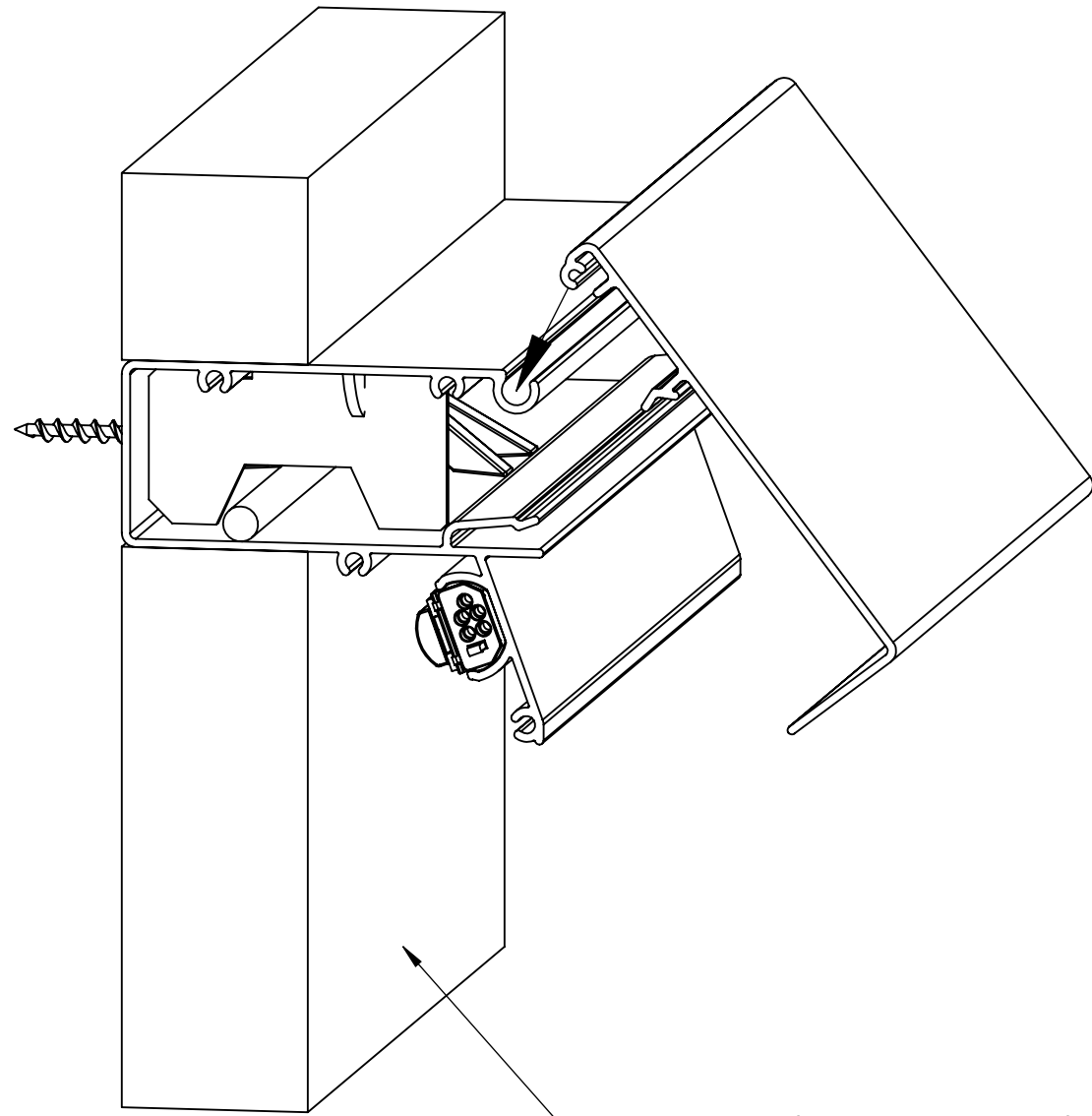
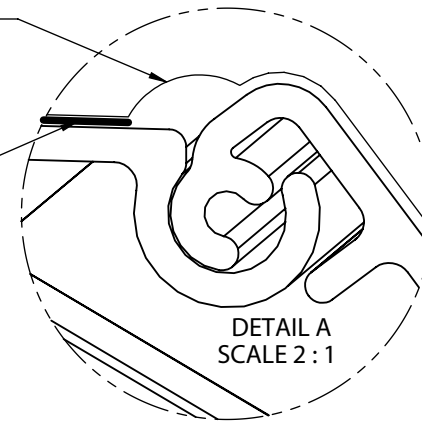
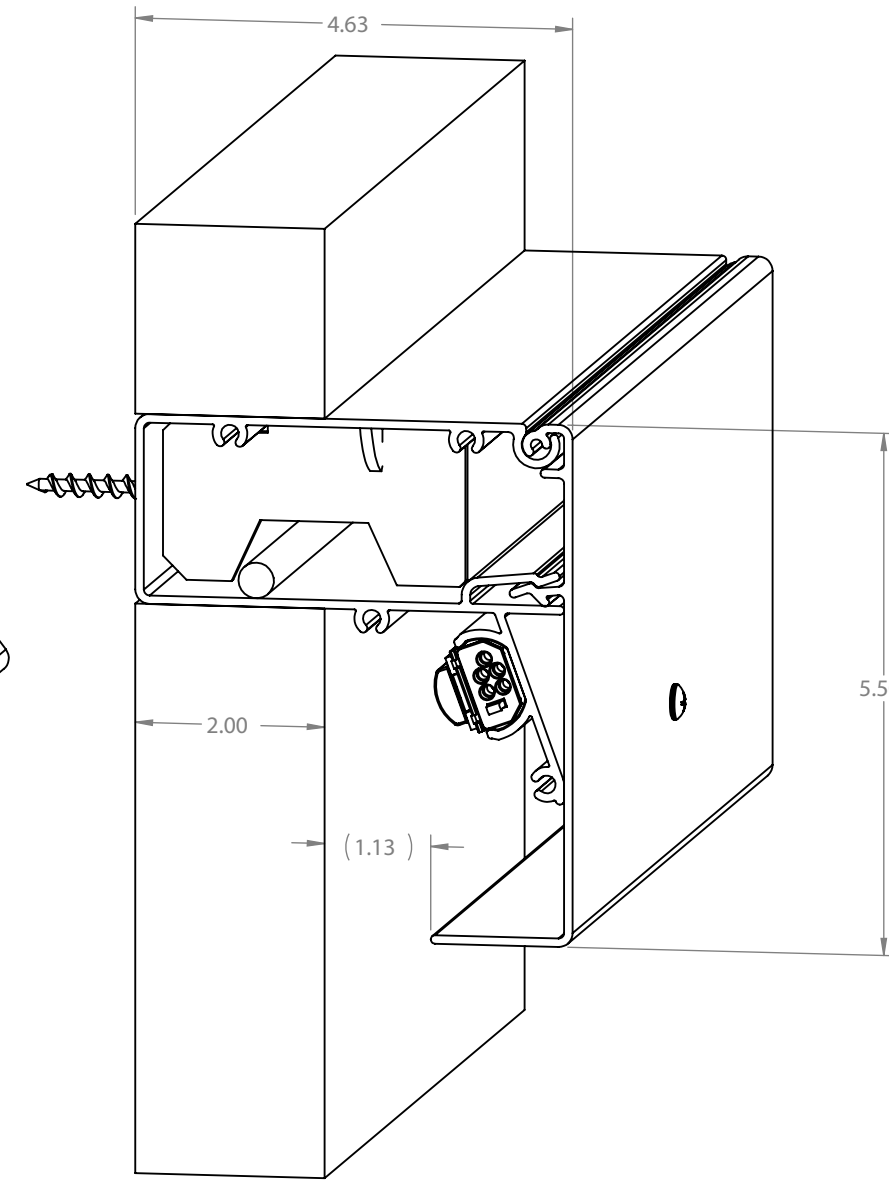
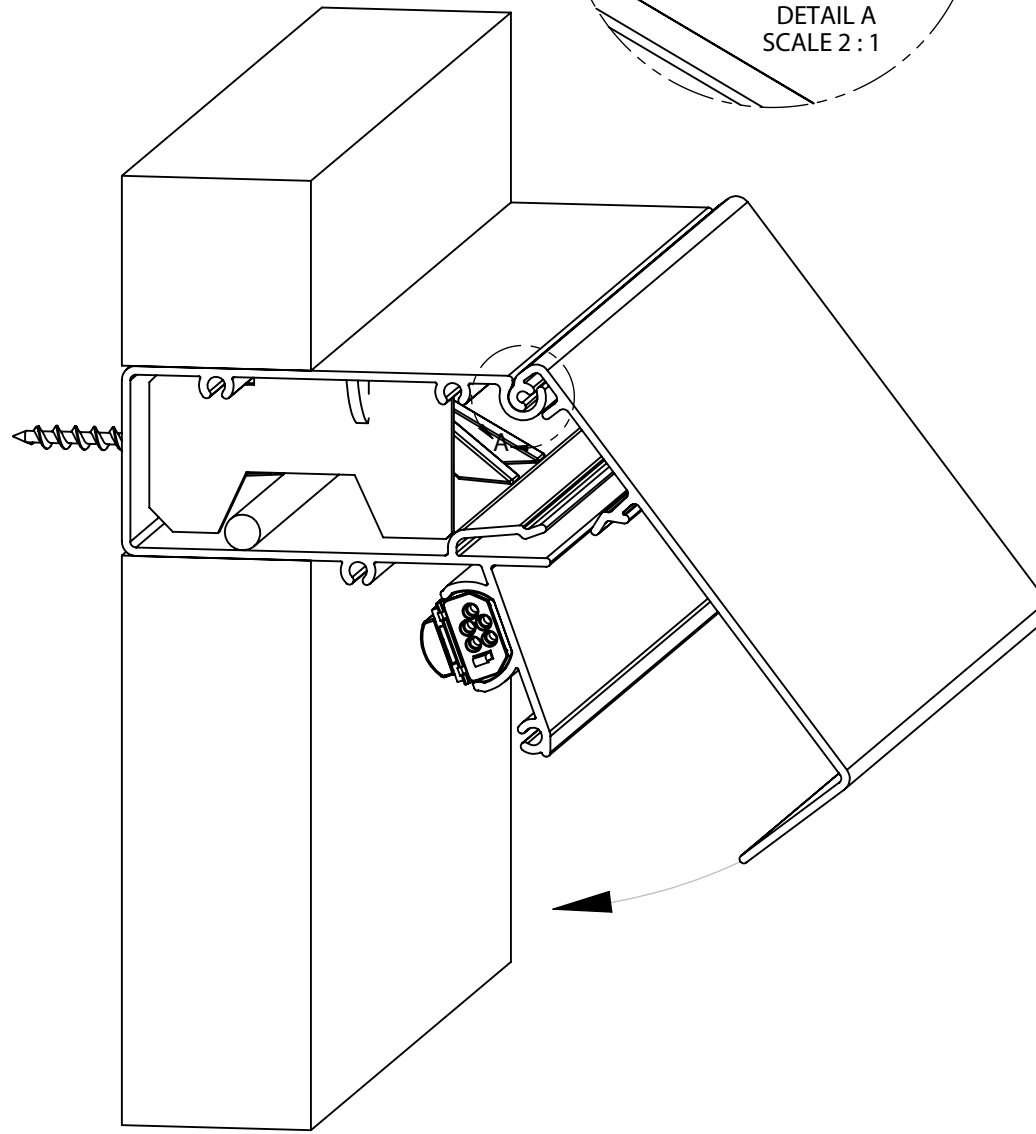


FABRIC SHOULD NOT IMPEDE
HINGING AREA OR IT COULD
INTERFERE WITH COVER
ENGAGEMENT TO BACK BOX

DOUBLE SIDED TAPE
FOR EXCESS FABRIC
AFTER ENGAGING
COVER TO BACK BOX



SOUND PANEL (SUPPLIED BY OTHER)



UNLESS OTHERWISE SPECIFIED:
DIMENSIONS ARE IN INCHES
TOLERANCES:
ANGULAR: ±1/2DEG
DECIMAL: .X ±0.030
.XX ±0.015
.XXX ±0.005
HOLES: UNDER 0.500 ±0.005
OVER 0.501 ±0.010

DO NOT SCALE DRAWING

MATERIAL

FINISH

NAME	DATE
shaunt	3/31/2017
DRAWN	
CHECKED	
ENG APPR.	
MFG APPR.	

DERIVED FROM
COMMENTS:
-

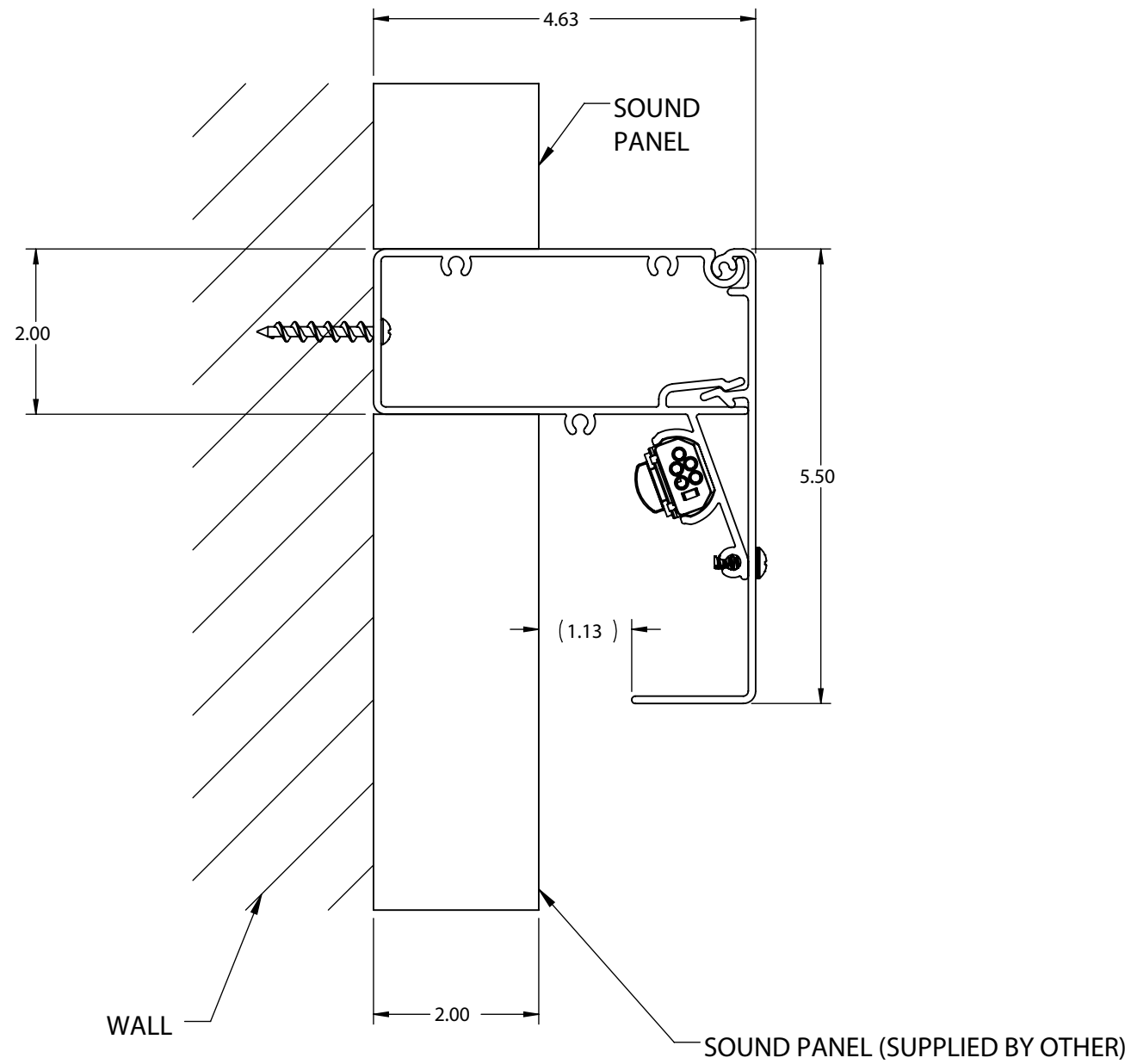
PRODUCT: -



TITLE:

SIZE	PART. NO.	REV
B		

SCALE: 1:2.5 WEIGHT: SHEET 1 OF 3



UNLESS OTHERWISE SPECIFIED: DIMENSIONS ARE IN INCHES TOLERANCES: ANGULAR: ±1/2DEG DECIMAL: .X ±0.030 .XX ±0.015 .XXX ±0.005 HOLES: UNDER 0.500 ±0.005 OVER 0.501 ±0.010		NAME	DATE	PRODUCT:		
DO NOT SCALE DRAWING	DRAWN	shaunt	3/31/2017	TITLE:		
MATERIAL	AS NOTED	CHECKED		SIZE	PART. NO.	REV
FINISH	AS NOTED	ENG APPR.		B		
		MFG APPR.				