

Conduit\*: The conduit coming out of the post contains 2 18GA wires to be connected to Tempo supplied j-box.

UNLESS OTHERWISE SPECIFIED:  
 DIMENSIONS ARE IN INCHES  
 TOLERANCES:  
 ANGULAR:  $\pm 1/2$ DEG  
 DECIMAL: .X  $\pm 0.063$   
 .XX  $\pm 0.031$   
 .XXX  $\pm 0.015$   
 HOLES: UNDER 0.500  $\pm 0.005$   
 OVER 0.501  $\pm 0.010$

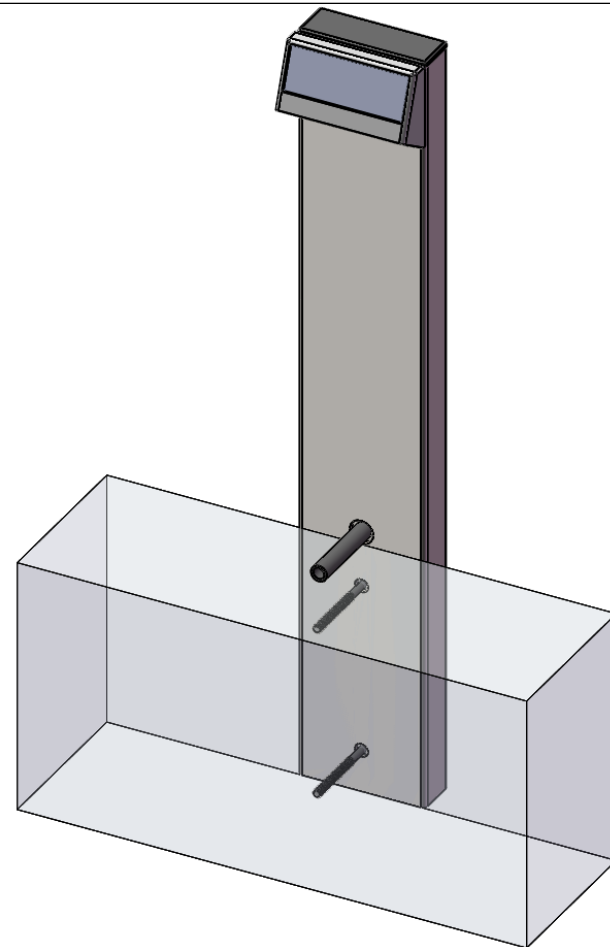
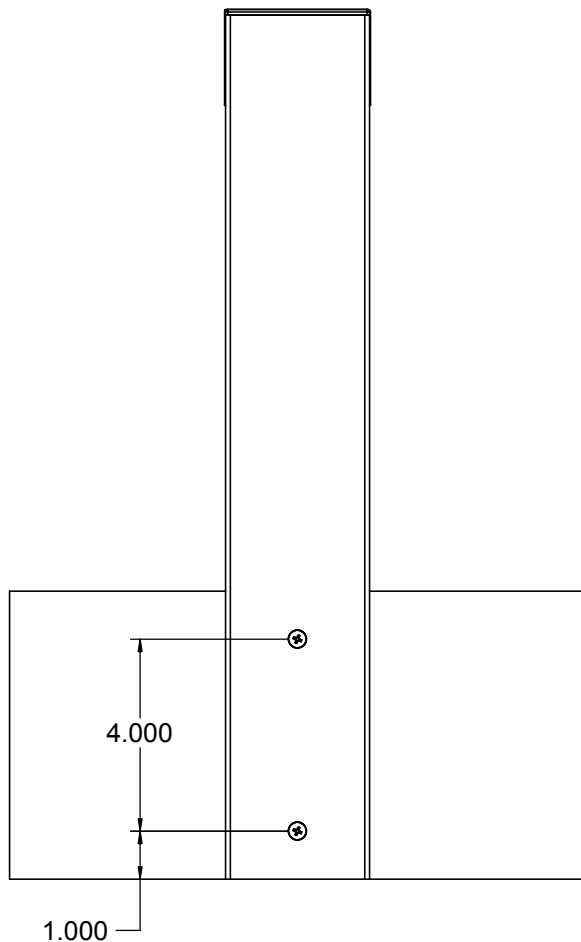
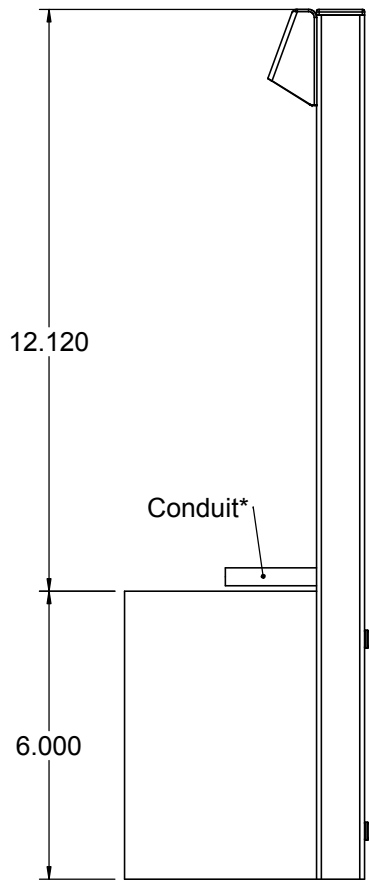
DO NOT SCALE DRAWING

MATERIAL

FINISH

NAME	DATE	PRODUCT:
DRAWN JB	10/19/12	-
CHECKED		
ENG APPR.		
MFG APPR.		
DERIVED FROM		
COMMENTS:	-	

tempo INDUSTRIES		
TITLE: PL 16 and seat light assembly		
SIZE <b>A</b>	PART. NO. PL-16 Assembly	REV <b>A</b>
SCALE: 1:4	WEIGHT:	SHEET 1 OF 1



Conduit\*: The conduit coming out of the post contains 2 18GA wires to be connected to Tempo supplied j-box.


UNLESS OTHERWISE SPECIFIED:  
 DIMENSIONS ARE IN INCHES  
 TOLERANCES:  
 ANGULAR:  $\pm 1/2$ DEG  
 DECIMAL: .X  $\pm 0.063$   
 .XX  $\pm 0.031$   
 .XXX  $\pm 0.015$   
 HOLES: UNDER 0.500  $\pm 0.005$   
 OVER 0.501  $\pm 0.010$

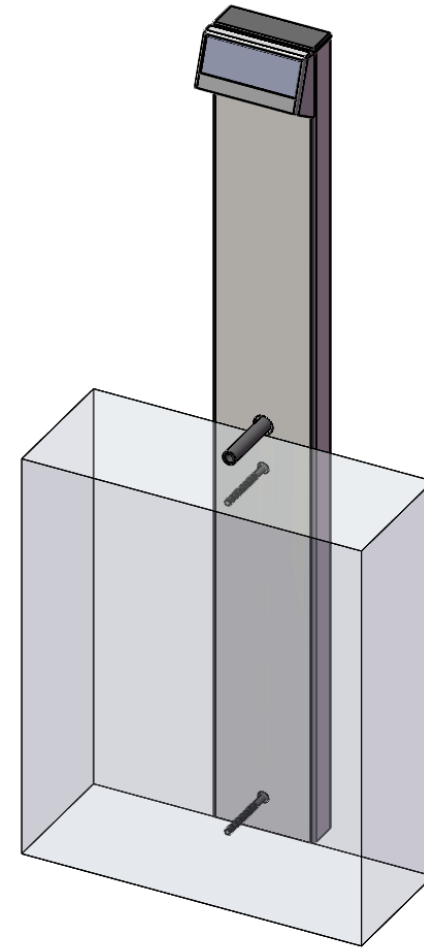
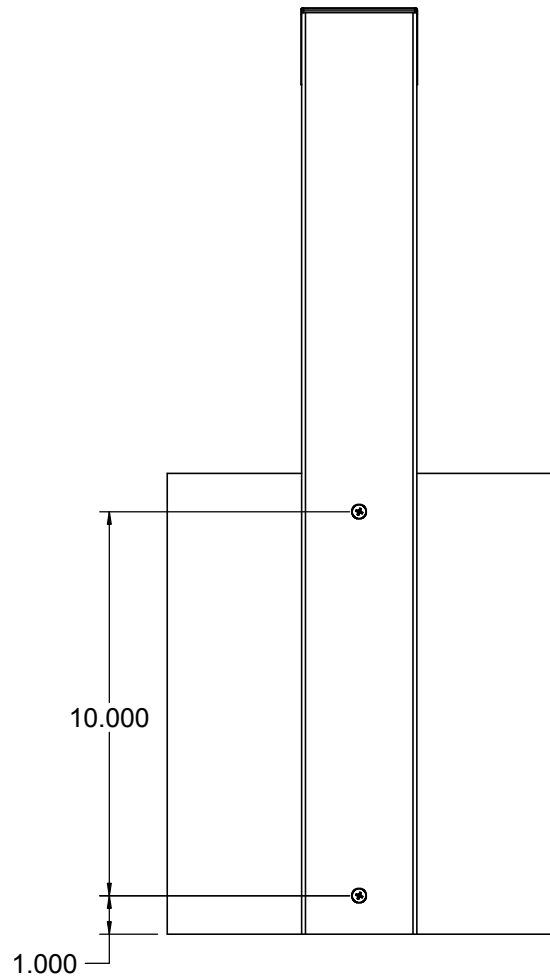
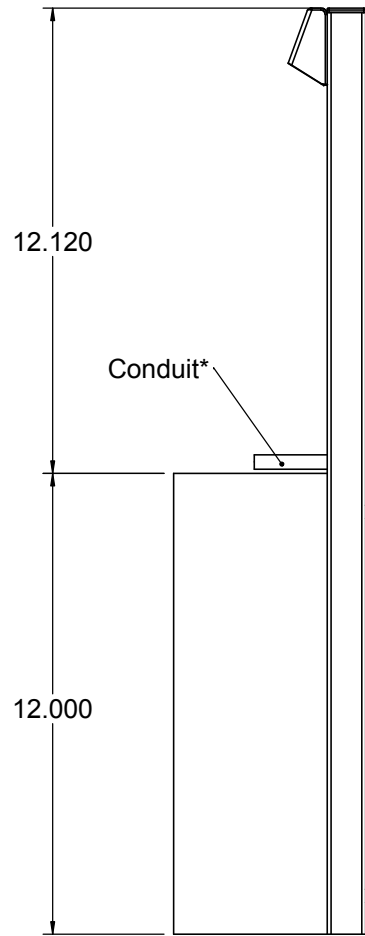
DO NOT SCALE DRAWING

MATERIAL


FINISH

	NAME	DATE
DRAWN	JB	10/19/12
CHECKED		
ENG APPR.		
MFG APPR.		
DERIVED FROM		
COMMENTS:	-	

PRODUCT:		-	
			
TITLE:			
PL 18 and seat light assembly			
SIZE	PART. NO.	REV	
<b>A</b>	PL-18 Assembly	<b>A</b>	
SCALE: 1:4	WEIGHT:	SHEET 1 OF 1	



Conduit\*: The conduit coming out of the post contains 2 18GA wires to be connected to Tempo supplied j-box.

UNLESS OTHERWISE SPECIFIED: DIMENSIONS ARE IN INCHES TOLERANCES: ANGULAR: ±1/2DEG DECIMAL: .X ±0.063 .XX ±0.031 .XXX ±0.015 HOLES: UNDER 0.500 ± 0.005 OVER 0.501 ± 0.010	NAME	DATE	PRODUCT:			
	DRAWN	JB	10/19/12			TITLE:
	DO NOT SCALE DRAWING	CHECKED			PL 24 and seat light assembly	
	MATERIAL	ENG APPR.			SIZE	PART. NO.
FINISH	MFG APPR.			<b>A</b>	PL-24 Assembly	<b>A</b>
	DERIVED FROM			SCALE: 1:5	WEIGHT:	SHEET 1 OF 1
	COMMENTS:					