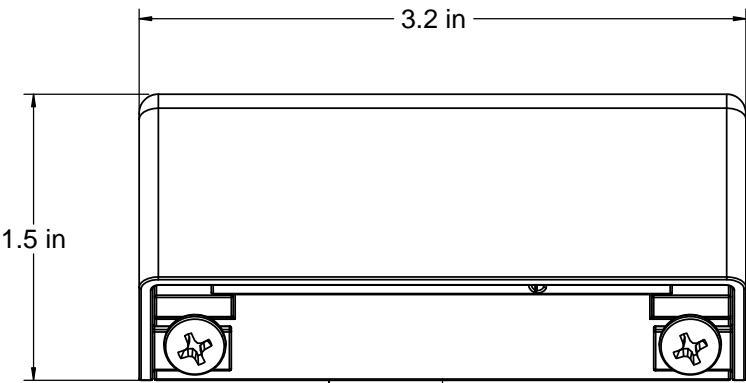
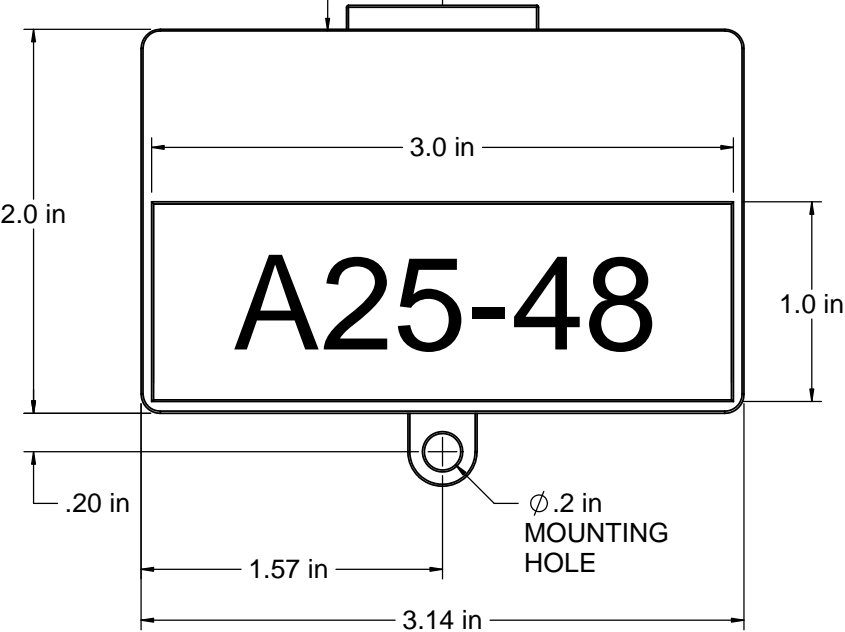


FRONT

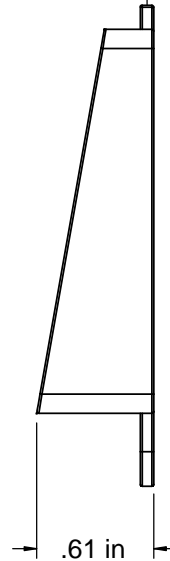
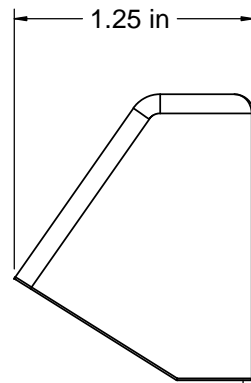


3401 - SEAT LIGHT 1

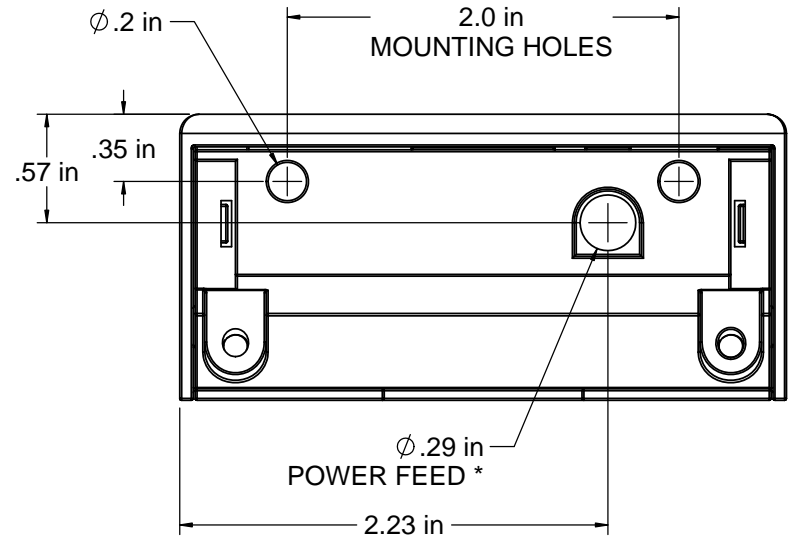
3401GP - SEAT LIGHT 1
GRAPHICS PANEL



SIDE



BACK



* POWER FEED REQUIRES
DRILLING INTO PANEL THAT
IT IS MOUNTED TO.