

## HLS House Lighting System (metric)

SURFACE MOUNT, 4-CIRCUIT  
REMOTE POWER SUPPLY



### APPLICATION

The House Lighting System (HLS) is designed to illuminate spaces requiring several lighting scenarios, such as theater or auditorium venues. Based on the Tempo CLiP<sup>®</sup> (Configurable Lighting Platform), luminaires may be configured with multiple 300mm lighting modules, each with different light distributions and/or intensity. Modules may be controlled with separate circuits and dimming controls to further tailor scenes. A typical cinema application would include luminaires configured with High Lumen modules for theater cleaning and High Uniformity dimming modules for house lighting, trailer and movie screening.

The HLS is available in two different platforms, one designed for continuous surface or suspension mounting and the other for recessed mounting in a T-Bar ceiling grid (see separate spec sheet). HLS Surface Mount is available in 2 circuit configurations for small to medium auditoriums (see separate spec sheet) and 4 circuit for large auditoriums. The low voltage, remotely powered system centralizes control and servicing.

### CONSTRUCTION

- Extruded aluminum channel
- Thermally optimized die-cast aluminum light module housings
- Plug and play connectors for simplified installation
- CSA damp location listed

### OPTICS / LENS / DIFFUSER

- High Lumen Cleaning Light modules (C1 & C2) consist of a 300mm module. A lightly frosted dome lens, coupled with wide beam optics direct a LED array.
- High Uniformity House Light modules (H1 & H2) consist of a 300mm module with a dome lens and high diffusion film over a high density array of LEDs.

### POWER SYSTEM

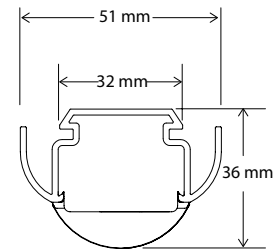
- Utilizes remote, low voltage DC power supply - 220V, 230V, 240V
- A 4-circuit configuration allows longer runs, providing circuit 3 and 4 through-wire in the first sections of a run. High lumen (C1 and C3) cleaning lights are designated circuit 1 and 3 and High Uniformity House Lights (H1 and H2) are designated circuits 2 and 4.

### PERFORMANCE

- Light output varies by configuration, see performance summary
- Lumen maintenance is greater than 85% at 86,000 hours for all product configurations (L85 at 86,000 hours)

### LIGHT CHARACTERISTICS

- Available in 2200K, 2700K, 3000K, 3500K, 4000K correlated color temperature. A different color temperature may be selected for High Lumen Cleaning Light modules (C1 & C2) and High Uniformity House Light modules (H1 & H2).
- Typical CRI of 80+
- LED's are selected and placed on the printed circuit boards via Tempo Industries' UniBin<sup>®</sup> process which ensures consistent hue and color within the entire installation. Color variations are held to a minimum, within a 2-step MacAdam ellipse.



### WARRANTY

Tempo provides a 5-year limited warranty. A 10-year limited warranty will apply when installed by a Tempo Certified Installer.



### PERFORMANCE SUMMARY All data nominal

Module Configuration		Watts/Module	Delivered Lumens
C1 Cleaning Light Circuit 1 or C2 Cleaning Light Circuit 3	<b>Cleaning Light</b> , 300mm module, wide beam optics, LED array (3500K test data shown)	12 W	1200 lm
H1 House Light Circuit 2 or H2 House Light Circuit 4	<b>House Light</b> , 300mm module, high uniformity dome lens, dense LED array (2700K test data shown)	10 W	850 lm

## HLS House Lighting System (metric)

SURFACE MOUNT, 4-CIRCUIT  
REMOTE POWER SUPPLY

### ORDERING INFORMATION

Example: HLS4-S-1800-C135-H130-C135-BK

HLS4	S	1800	LIGHT MODULE CONFIGURATION*						
Series	Mounting	Fixture Length	Module #1	Color Temp	Module #2	Color Temp	Module #3	Color Temp	Finish
House Lighting System 4 Circuit	S Surface Mount T-Bar	1800 1800 mm	C1 Cleaning Light (Circuit 1) H1 House Light (Circuit 2) C2 Cleaning Light (Circuit 3) H2 House Light (Circuit 4)	22 2200K 27 2700K 30 3000K 35 3500K 40 4000K	C1 Cleaning Light (Circuit 1) H1 House Light (Circuit 2) C2 Cleaning Light (Circuit 3) H2 House Light (Circuit 4)	22 2200K 27 2700K 30 3000K 35 3500K 40 4000K	C1 Cleaning Light (Circuit 1) H1 House Light (Circuit 2) C2 Cleaning Light (Circuit 3) H2 House Light (Circuit 4)	22 2200K 27 2700K 30 3000K 35 3500K 40 4000K	WH White BK Black
			For No Module, Leave Blank		For No Module, Leave Blank		For No Module, Leave Blank		

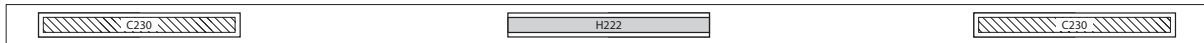
\* C1 = Cleaning Light Circuit #1- High Lumen 300mm Module, Wide Beam, Standard LED Array  
 H1 = House Light Circuit #2- High Uniformity 300mm Module, Dense LED Array  
 C2 = Cleaning Light Circuit #3- High Lumen 300mm Module, Wide Beam, Standard LED Array  
 H2 = House Light Circuit #4- High Uniformity 300mm Module, Dense LED Array

### SAMPLE CONFIGURATIONS



#### HLS4-S-1800-C135-H130-C135-BK

HLS 4-Circuit Surface Mount 1800mm, C135 Cleaning (CIR 1), 300mm module, 3500K; H130 House (CIR 2), 300mm module, 3000K; C135 Cleaning (CIR 1), 300mm module, 3500K, Black



#### HLS4-S-1800-C230-H222-C230-BK

HLS 4-Circuit Surface Mount 1800mm, C230 (CIR 3), 300mm module, 3000K; H222 (CIR 4), 300mm module, 2200K; C230 (CIR 3), 300mm module, 3000K, Black

## HLS House Lighting System (metric)

SURFACE MOUNT, 4-CIRCUIT  
REMOTE POWER SUPPLY

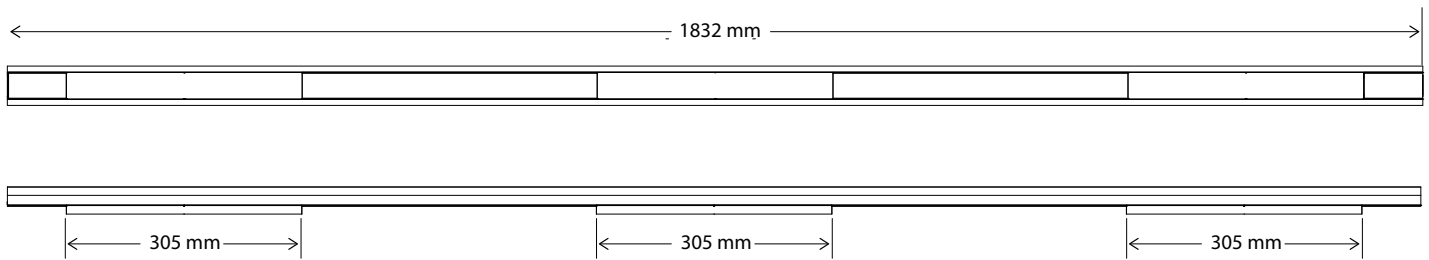
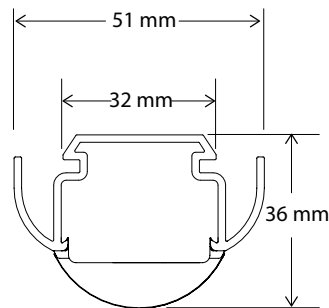
### SYSTEM INTEGRATION ACCESSORIES

POWER ENCLOSURE Power Supplies (maximum of 5) in 1200mmx100mmx100mm Enclosure		
	<b>PWR-ENC-24/X-24D/Y-48</b>	X = Quantity of 100W (24V, 120V input) Non-Dimming Power Supplies for Cleaning Light modules (A&C) Y = Quantity of 100W (24V, 120V input) Dimming Power Supplies for House Light modules (B&D) Lutron Hi-lume 1% 2-wire LED driver (120V forward phase) - LTEA2W
WIREWAY		
	<b>HLS4-S-6-WIREWAY-BK</b>	HLS Surface Wireway, 2-Circuit, pre-wired, includes plug and play connectors, 1800mm.
MOUNTING HARDWARE		
	<b>HLS4-S-SPLICEBOX-M</b>	HLS Surface Splice Box, 4-Circuit, pre-wired with quick connect connectors, male end feed
	<b>HLS4-S-SPLICEBOX-F</b>	HLS Surface Splice Box, 4-Circuit, pre-wired with quick connect connectors, female end feed
	<b>HLS4-S-PB-BK</b>	HLS Surface Power Box, 4-Circuit, pre-wired with plug and play connector, includes cover plate, black
	<b>HLS-S-JBOX</b>	HLS Surface J-Box for mounting on continuous T-grid spine. Standard 2-gang j-box (by others) may be used when the power box is located within a tile
	<b>HLS4-S-HUB</b>	HLS Surface Power Hub, 4-Circuit, 4 connectors (2 Male, 2 female), includes cover plate, black finish
	<b>HLS-S-MTGCLIP</b>	HLS Surface Mount T-Bar Clips (QTY 12). Minimum of 2 clips every 6ft section (luminaire or wireway).
	<b>HLS-S-MTGCLIP-EDGE</b>	HLS Surface Mount T-Bar Edge Clips (QTY 12).
	<b>HLS-S-MTGCLIP-SEISMIC</b>	HLS Surface Mount T-Bar Clips (QTY 12) with Seismic Bracing Hanger.
POWER FEED CABLE		
	<b>HLS4-CABLE</b>	Plenum rated cable, 16 gauge, 8 wires– 2 Blue / 2 Red / 2 Gray / 2 Purple, 200ft per reel
	<b>HLS4-S-PFC4-F24/36-180</b>	Power Feed Cable with connector for HLS4-S Surface 4-Circuit (used in lieu of HLS4-S-PB Power Box), 4500mm
	<b>HLS4-S-PFC4-F24/36-360</b>	Power Feed Cable with connector for HLS4-S Surface 4-Circuit (used in lieu of HLS4-S-PB Power Box), 9000mm
SURGE SUPPRESSION DEVICE Tempo furnished surge suppression device must be installed on each branch circuit to comply with warranty terms.		
	<b>SSD-240</b>	240V Branch Circuit

# HLS House Lighting System (metric)

SURFACE MOUNT, 4-CIRCUIT  
REMOTE POWER SUPPLY

## DIMENSIONAL INFORMATION - SURFACE MOUNTED



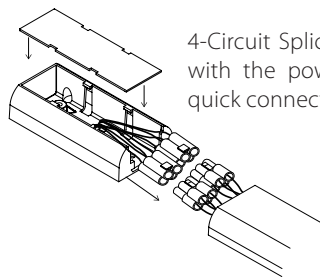
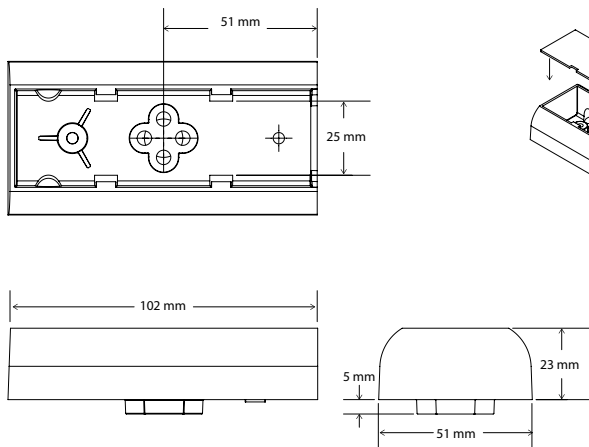
## HLS House Lighting System (metric)

SURFACE MOUNT, 4-CIRCUIT  
REMOTE POWER SUPPLY

### DIMENSIONAL INFORMATION - MOUNTING HARDWARE

#### 4-CIRCUIT SPLICE BOX SYSTEM

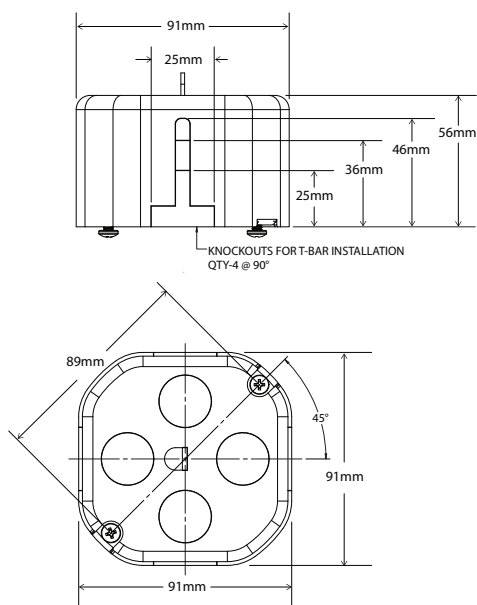
##### HLS4-S-SPLICEBOX-M/F



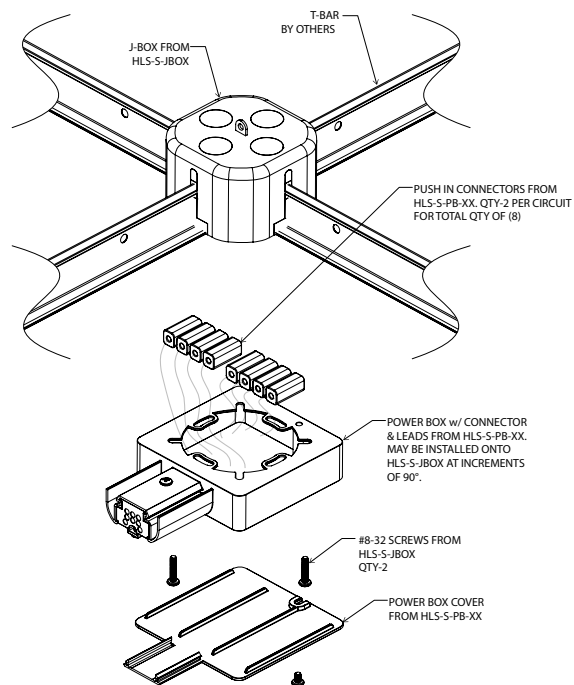
4-Circuit Splice Box “book ends” the HLS fixture with the power feed connections made with quick connect fittings.

#### 4-CIRCUIT J-BOX SYSTEM

##### HLS-S-JBOX



##### HLS4-S-PB & HLS-S-JBOX ASSEMBLY



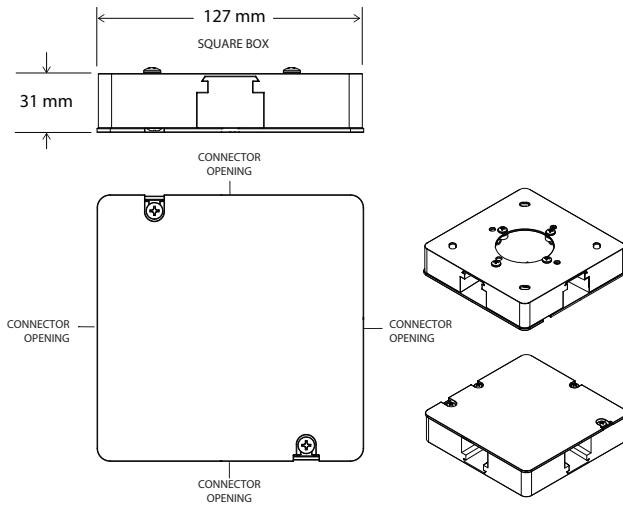
## HLS House Lighting System (metric)

SURFACE MOUNT, 4-CIRCUIT  
REMOTE POWER SUPPLY

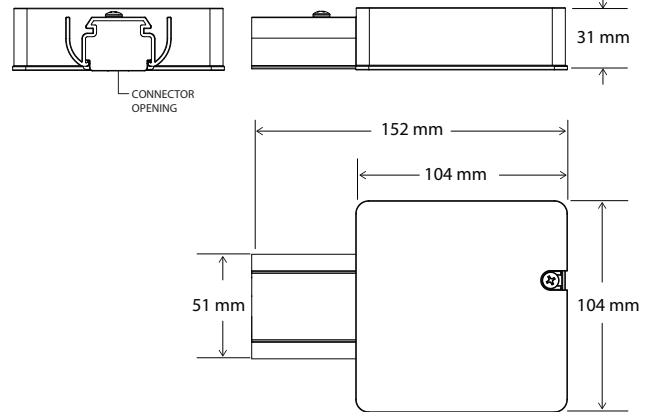
### DIMENSIONAL INFORMATION - MOUNTING HARDWARE

#### 4-CIRCUIT SYSTEM

##### HLS4-S-HUB

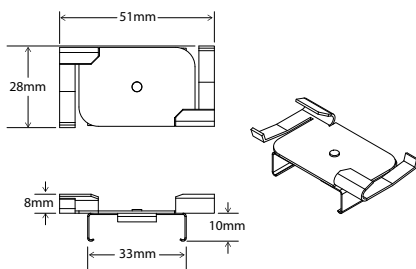


##### HLS4-S-PB

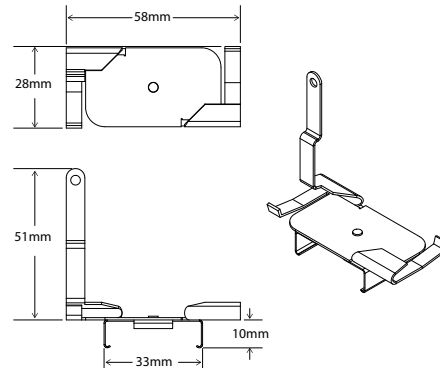


### MOUNTING HARDWARE

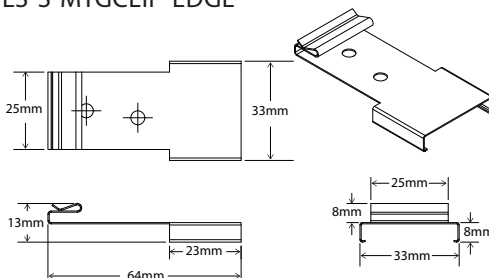
#### HLS-S-MTGCLIP



#### HLS-S-MTGCLIP-SEISMIC



#### HLS-S-MTGCLIP-EDGE



Tempo products and technologies are protected under one or more US and International patents.

Tempo reserves the right to change materials or modify the design of its product without notification as part of the company's continuing product improvement program. Please consult [www.tempollc.com](http://www.tempollc.com) for the most up-to-date specifications and technical data.