

HLS House Lighting System

SURFACE MOUNT, 4-CIRCUIT
REMOTE POWER SUPPLY



APPLICATION

The House Lighting System (HLS) is designed to illuminate spaces requiring several lighting scenarios, such as theater or auditorium venues. Based on the Tempo CLiP[®] (Configurable Lighting Platform), luminaires may be configured with multiple 12" lighting modules, each with different light distributions and/or intensity. Modules may be controlled with separate circuits and dimming controls to further tailor scenes. A typical cinema application would include luminaires configured with High Lumen modules for theater cleaning and High Uniformity dimming modules for house lighting, trailer and movie screening.

The HLS is available in two different platforms, one designed for continuous surface or suspension mounting and the other for recessed mounting in a T-Bar ceiling grid (see separate spec sheet). HLS Surface Mount is available in 2 circuit configurations for small to medium auditoriums (see separate spec sheet) and 4 circuit for large auditoriums. The low voltage, remotely powered system centralizes control and servicing.

CONSTRUCTION

- Extruded aluminum channel
- Thermally optimized die-cast aluminum light module housings
- Plug and play connectors for simplified installation
- CSA damp location listed

OPTICS / LENS / DIFFUSER

- High Lumen Cleaning Light modules (C1 & C2) consist of a 12" module. A lightly frosted dome lens, coupled with wide beam optics direct a LED array.
- High Uniformity House Light modules (H1 & H2) consist of a 12" module with a dome lens and high diffusion film over a high density array of LEDs.

POWER SYSTEM

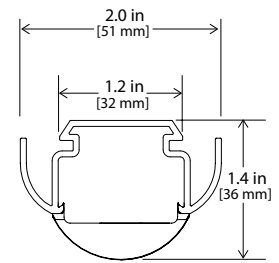
- Utilizes remote, low voltage DC power supply, 120V input
- A 4-circuit configuration allows longer runs, providing circuit 3 and 4 through-wire in the first sections of a run. High lumen (C1 and C3) cleaning lights are designated circuit 1 and 3 and High Uniformity House Lights (H1 and H2) are designated circuits 2 and 4.

PERFORMANCE

- Light output varies by configuration, see performance summary
- Lumen maintenance is greater than 85% at 86,000 hours for all product configurations (L85 at 86,000 hours)

LIGHT CHARACTERISTICS

- Available in 2200K, 2700K, 3000K, 3500K, 4000K correlated color temperature. A different color temperature may be selected for High Lumen Cleaning Light modules (C1 & C2) and High Uniformity House Light modules (H1 & H2).
- Typical CRI of 80+
- LED's are selected and placed on the printed circuit boards via Tempo Industries' UniBin[®] process which ensures consistent hue and color within the entire installation. Color variations are held to a minimum, within a 2-step MacAdam ellipse.



WARRANTY

Tempo provides a 5-year limited warranty. A 10-year limited warranty will apply when installed by a Tempo Certified Installer.



PERFORMANCE SUMMARY All data nominal

Module Configuration		Watts/Module	Delivered Lumens
C1 Cleaning Light Circuit 1 or C2 Cleaning Light Circuit 3	Cleaning Light, 12" module, wide beam optics, LED array (3500K test data shown)	12 W	1200 lm
H1 House Light Circuit 2 or H2 House Light Circuit 4	House Light, 12" module, high uniformity dome lens, dense LED array (2700K test data shown)	10 W	850 lm

HLS House Lighting System

SURFACE MOUNT, 4-CIRCUIT

REMOTE POWER SUPPLY

ORDERING INFORMATION

Example: HLS4-S-6-C135-H130-C135-BK

HLS4	S	6	LIGHT MODULE CONFIGURATION*						
Series	Mounting	Fixture Length	Module #1	Color Temp	Module #2	Color Temp	Module #3	Color Temp	Finish
House Lighting System 4 Circuit	S Surface Mount T-Bar	6 6 ft	C1 Cleaning Light (Circuit 1)	22 2200K 27 2700K 30 3000K	C1 Cleaning Light (Circuit 1)	22 2200K 27 2700K 30 3000K	C1 Cleaning Light (Circuit 1)	22 2200K 27 2700K 30 3000K	WH White BK Black
			H1 House Light (Circuit 2)	35 3500K 40 4000K	H1 House Light (Circuit 2)	35 3500K 40 4000K	H1 House Light (Circuit 2)	35 3500K 40 4000K	
			C2 Cleaning Light (Circuit 3)		C2 Cleaning Light (Circuit 3)		C2 Cleaning Light (Circuit 3)		
			H2 House Light (Circuit 4)		H2 House Light (Circuit 4)		H2 House Light (Circuit 4)		
			For No Module, Leave Blank		For No Module, Leave Blank		For No Module, Leave Blank		

* C1 = Cleaning Light Circuit #1- High Lumen 12" Module, Wide Beam, Standard LED Array
 H1 = House Light Circuit #2- High Uniformity 12" Module, Dense LED Array
 C2 = Cleaning Light Circuit #3- High Lumen 12" Module, Wide Beam, Standard LED Array
 H2 = House Light Circuit #4- High Uniformity 12" Module, Dense LED Array

SAMPLE CONFIGURATIONS



HLS4-S-6-C135-H130-C135-BK

HLS 4-Circuit Surface Mount 6 ft, C135 Cleaning (CIR 1), 12" module, 3500K; H130 House (CIR 2), 12" module, 3000K; C135 Cleaning (CIR 1), 12" module, 3500K, Black



HLS4-S-6-C230-H222-C230-BK

HLS 4-Circuit Surface Mount 6 ft, C230 (CIR 3), 12" module, 3000K; H222 (CIR 4), 12" module, 2200K; C230 (CIR 3), 12" module, 3000K, Black

HLS House Lighting System

SURFACE MOUNT, 4-CIRCUIT

REMOTE POWER SUPPLY

SYSTEM INTEGRATION ACCESSORIES

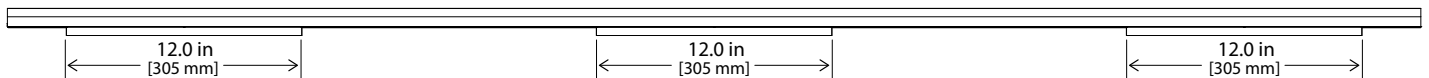
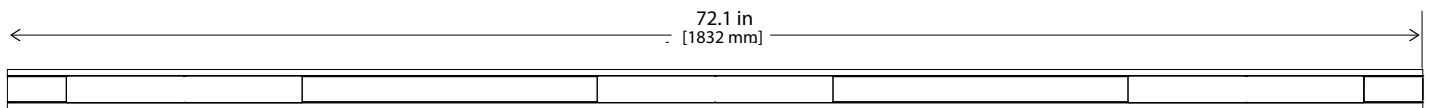
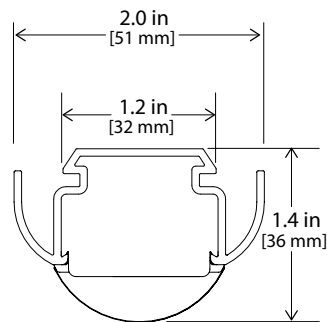
POWER ENCLOSURE Power Supplies (maximum of 5) in 48" x 4" x 4" Enclosure		
	PWR-ENC - 24/X - 36T/Y -48	X = Quantity of 100W (24V, 120V input) Non-Dimming Power Supplies for Cleaning Light modules (A&C) Y = Quantity of 40W (36V, 120V input) Triac Dimming Power Supplies for House Light modules (B&D) Lutron Hi-lume 1% 2-wire LED driver (120V forward phase) - LTEA2W
	PWR-TDIM-100-24	Tri-Dim Triac dimming adapter, 120V input, 100W 24VDC driver output
	PWR-TDIM-200-24	Tri-Dim Triac dimming adapter, 120V input, 2 x 100W 24VDC driver outputs
	PWR-TDIM-100-36	Tri-Dim Triac dimming adapter, 120V input, 100W 36VDC driver output
	PWR-TDIM-200-36	Tri-Dim Triac dimming adapter, 120V input, 2 x 100W 36VDC driver outputs
WIREWAY		
	HLS4-S-6-WIREWAY-BK	HLS Surface Wireway, 2-Circuit, pre-wired, includes plug and play connectors, 6ft.
MOUNTING HARDWARE		
	HLS4-S-SPLICEBOX-M	HLS Surface Splice Box, 4-Circuit, pre-wired with quick connect connectors, male end feed
	HLS4-S-SPLICEBOX-F	HLS Surface Splice Box, 4-Circuit, pre-wired with quick connect connectors, female end feed
	HLS4-S-PB-BK	HLS Surface Power Box, 4-Circuit, pre-wired with plug and play connector, includes cover plate, black
	HLS-S-JBOX	HLS Surface J-Box for mounting on continuous T-grid spine. Standard 2-gang j-box (by others) may be used when the power box is located within a tile
	HLS4-S-HUB	HLS Surface Power Hub, 4-Circuit, 4 connectors (2 Male, 2 female), includes cover plate, black finish
	HLS-S-MTGCLIP	HLS Surface Mount T-Bar Clips (QTY 12). Minimum of 2 clips every 6ft section (luminaire or wireway).
	HLS-S-MTGCLIP-EDGE	HLS Surface Mount T-Bar Edge Clips (QTY 12).
	HLS-S-MTGCLIP-SEISMIC	HLS Surface Mount T-Bar Clips (QTY 12) with Seismic Bracing Hanger.
POWER FEED CABLE		
	HLS4-CABLE	Plenum rated cable, 16 gauge, 8 wires- 2 Blue / 2 Red / 2 Gray / 2 Purple, 200ft per reel
	HLS4-S-PFC4-F24/36-180	Power Feed Cable with connector for HLS4-S Surface 4-Circuit (used in lieu of HLS4-S-PB Power Box), 15ft
	HLS4-S-PFC4-F24/36-360	Power Feed Cable with connector for HLS4-S Surface 4-Circuit (used in lieu of HLS4-S-PB Power Box), 30ft
SURGE SUPPRESSION DEVICE Tempo furnished surge suppression device must be installed on each branch circuit to comply with warranty terms.		
	SSD-120	120V Branch Circuit
	SSD-277	277V Branch Circuit
POWER INVERTERS Tempo's power inverters supply battery power backup to designated emergency lighting power supplies.		
	PWR-INV-125-120	Power Inverter, 125W, 120V Input/Output
	PWR-INV-250-120	Power Inverter, 250W, 120V Input/Output
	PWR-INV-375-120/277	Power Inverter, 375W, 120V/120V or 277V/277V Input/Output

HLS House Lighting System

SURFACE MOUNT, 4-CIRCUIT

REMOTE POWER SUPPLY

DIMENSIONAL INFORMATION - SURFACE MOUNTED



HLS House Lighting System

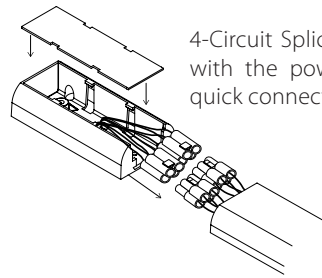
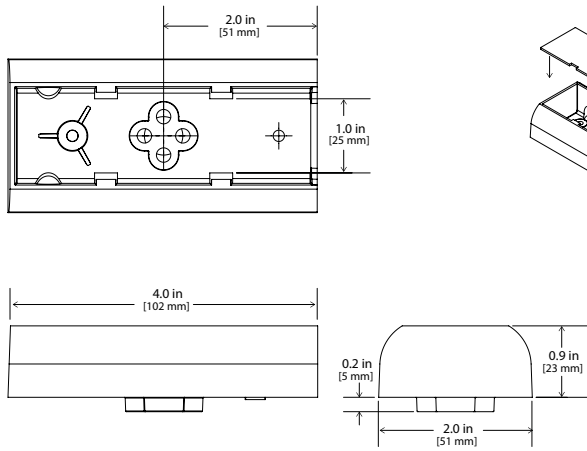
SURFACE MOUNT, 4-CIRCUIT

REMOTE POWER SUPPLY

DIMENSIONAL INFORMATION - MOUNTING HARDWARE

4-CIRCUIT SPLICE BOX SYSTEM

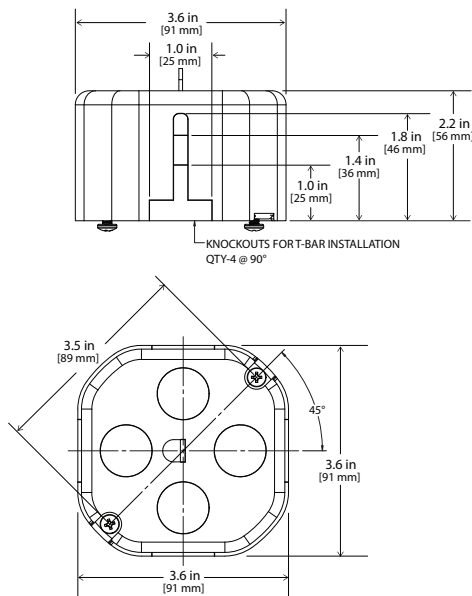
HLS4-S-SPLICEBOX-M/F



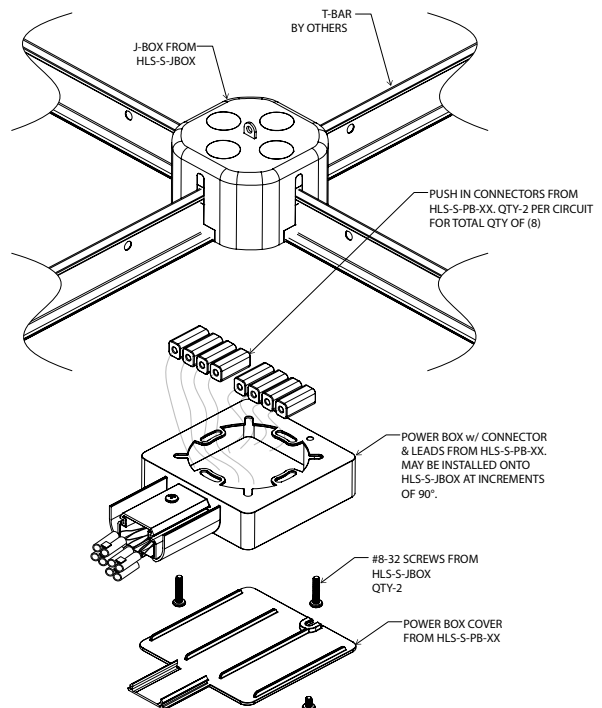
4-Circuit Splice Box "book ends" the HLS fixture with the power feed connections made with quick connect fittings.

4-CIRCUIT J-BOX SYSTEM

HLS-S-JBOX



HLS4-S-PB & HLS-S-JBOX ASSEMBLY



HLS House Lighting System

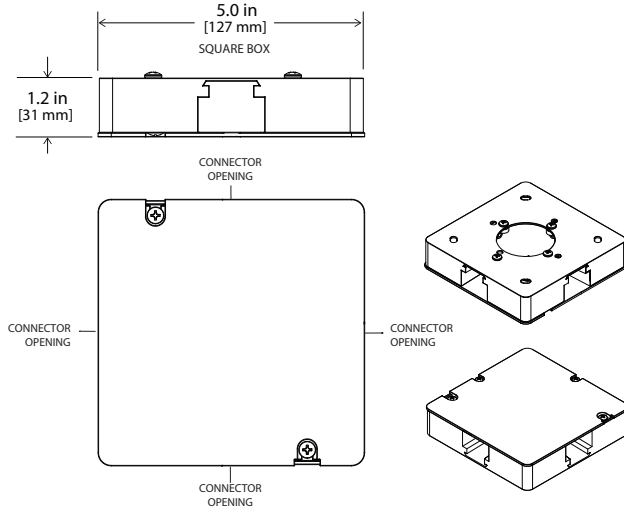
SURFACE MOUNT, 4-CIRCUIT

REMOTE POWER SUPPLY

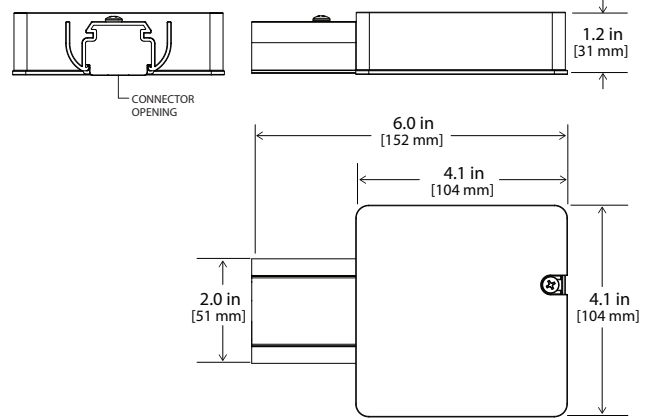
DIMENSIONAL INFORMATION - MOUNTING HARDWARE

4-CIRCUIT SYSTEM

HLS4-S-HUB

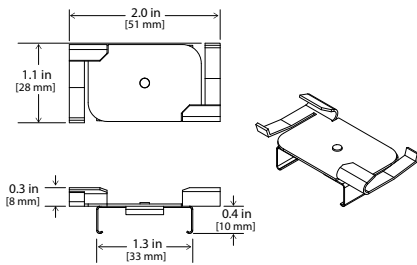


HLS4-S-PB

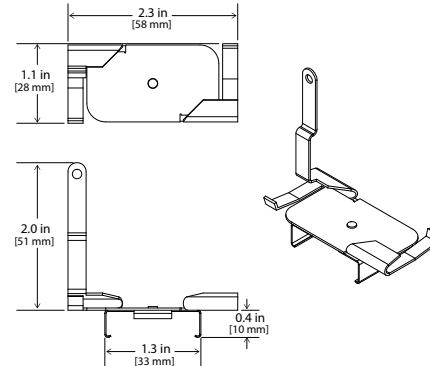


MOUNTING HARDWARE

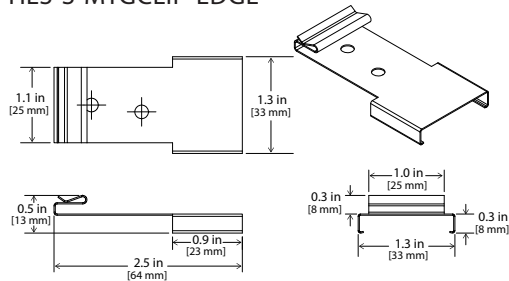
HLS-S-MTGCLIP



HLS-S-MTGCLIP-SEISMIC



HLS-S-MTGCLIP-EDGE



Tempo products and technologies are protected under one or more US and International patents.

Tempo reserves the right to change materials or modify the design of its product without notification as part of the company's continuing product improvement program. Please consult www.tempollc.com for the most up-to-date specifications and technical data.