

C7R IND

INDUSTRIAL LED LINEAR LIGHTING, HIGH LUMEN
INTEGRAL POWER SYSTEM



APPLICATION

The C7R Industrial LED Linear Lighting System is designed for industrial lighting applications such as warehouse, manufacturing and data centers. Provides high uniformity of light for direct ambient illumination. Individual 4 foot fixtures for easily retrofit of old fluorescent tube applications and fixtures may be joined to form longer linear runs, reducing the number of power/jumper feeds during installation.

CONSTRUCTION

- Extruded aluminum housing anodized in Natural (light gray) finish or optional powder-coated Black or White finish.
- Die cast aluminum light modules, joiners and end caps.
- Nominal 4 foot fixture length. Fixtures may be joined to form extended linear runs.
- Surface, Pendant or Suspension Mount options.
- CSA damp location listed for interior use.

OPTICS / LENS / DIFFUSER

- Dome lens with high diffusion film for uniformity of light and visual comfort. (120° x 120°)

POWER SYSTEM

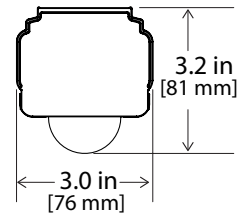
- Integral driver with Universal 120-277V input.
- ELV Dimming.

PERFORMANCE

- 1050 lumens per foot (3500K)
- Operating temperature range of -20°C to 50°C
- Power Supply Total Harmonic Distortion <20%, Power Factor >0.9

LIGHT CHARACTERISTICS

- Standard 80+ CRI in 2700K, 3000K, 3500K, and 4000K Color Temperature.
- Tempo's UniBin™ process ensures consistent hue and color to within a maximum 2-step MacAdam ellipse per section.



Buy Tempo
Buy American



86,000 HOURS

L85 LUMEN MAINTENANCE
LED Luminaires will reach 85% of initial lumen output at or beyond 86,000 hours at 25°C.

WARRANTY

Tempo provides a 5-year limited warranty.



PERFORMANCE SUMMARY (3500K)

Watts/ft	11
Lumens/ft	1,038
Lumens/Watt	95
Maximum Run Length (120V Input)	80 feet

ORDERING INFORMATION

Example: C7RIND-DLF6-0-UNVE11-35NA-4

4ft C7R, Dome Lens + diffusion film, 120-277V, ELV, 11 W/ft, 3500K, Natural

C7RIND	-	DLF6	-	0	-	UNV	E	11	-	35		-	4
Model		Optic/Lens/Diffuser		Module Spacing		Voltage	Dimming	Watts/Foot		Color Temp	Finish		Length ¹
C7R Industrial		DLF6 Dome Lens + Diffusion Film (120° x 120°) 6 High Power LEDs/ft		0 0"		UNV 120-277V	E ELV (Electronic Low Voltage) dim to 5%	11 11 W		35 3500K	NA Natural (Light Gray) BK Black WH White		4 ft

(1) Actual assembled length is 50.3" - fixtures can be joined for nominal 8 or 12 foot lengths with Continuous Run Joiners (See Accessories.)



SYSTEM INTEGRATION ACCESSORIES

SURGE SUPPRESSION DEVICE Tempo furnished surge suppression device must be installed on each supplying branch circuit to comply with 5-year warranty.

SSD-120	120V Branch Circuit
SSD-277	277V Branch Circuit

CONTINUOUS RUN JOINERS One required per two joined sections

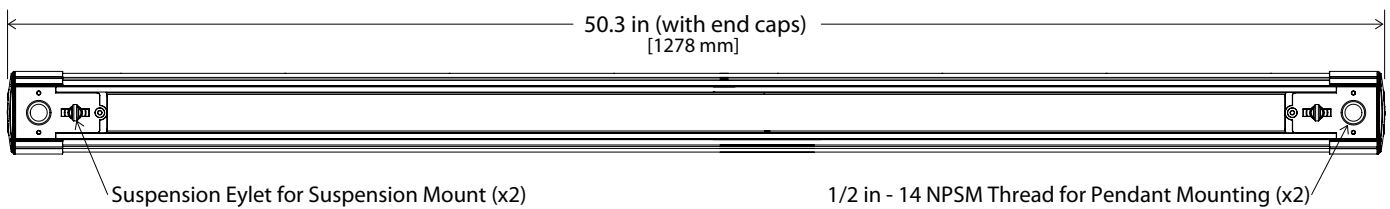
C7A-CR-(LG, BK, WH)	Continuous Run Joiner for Suspension/Pendant Mount, (select color to match fixture color)
C7A-CRC-(LG, BK, WH)	Continuous Run Joiner for Surface Mount, (select color to match fixture color)

MOUNTING HARDWARE

C7A-DC	Mounting Clip for Surface Mount or variable suspension spacing, Stainless Steel, Bag of 12
C7A-SE	Suspension Eyelet for fixed suspension spacing, die cast aluminum, Bag of 12 (Chain or Cable supplied by other)
PA-7	50° Adjustable Bracket for Surface Mount, die cast aluminum. (2 required per 4ft section.)

Pendant Mounting Note:
All pendant mounting hardware supplied by other. Pendant arms will require 1/2NPS male thread to mate with C7R end caps & joiners.

DIMENSIONAL INFORMATION

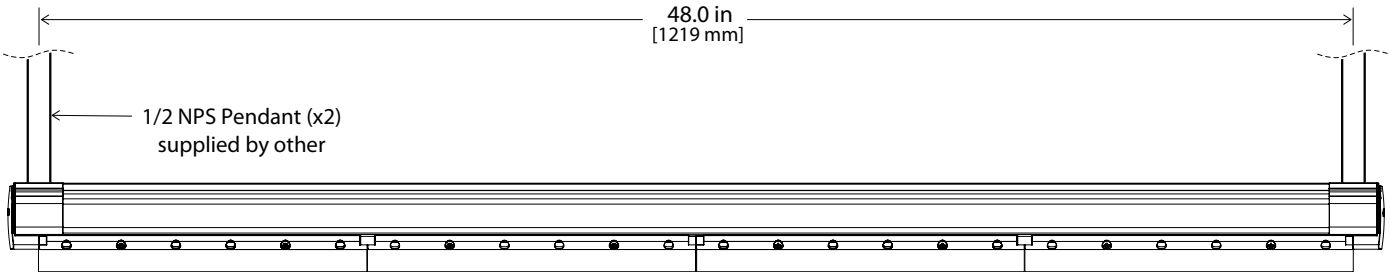


DIMENSIONAL INFORMATION (CONTINUED)

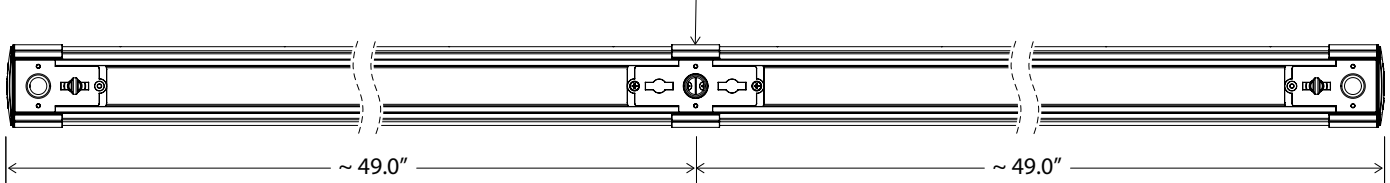
FIXED POSITION SUSPENSION EYELET (C7A-SE)



FIXED POSITION PENDANT



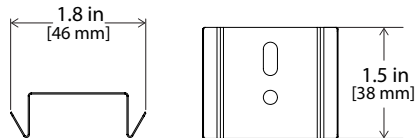
Link two or more four foot (nominal) sections together with C7A-CR Joiner



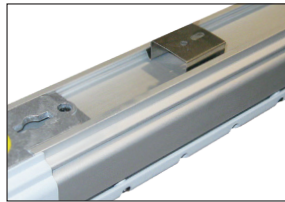
MOUNTING HARDWARE

MOUNTING CLIP (C7A-DC)

For surface mounting or variable suspension spacing



Surface Mount
(Fixture snaps onto bracket)



Variable Suspension Spacing
(S-hook and chain or cable by others)

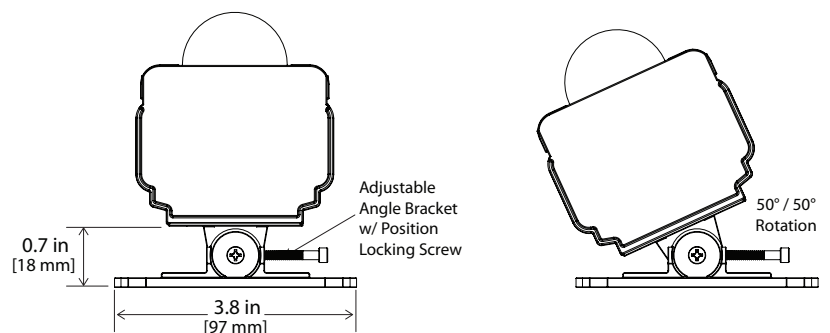


SUSPENSION EYELET (C7A-SE)

Chain or cable supplied by others.



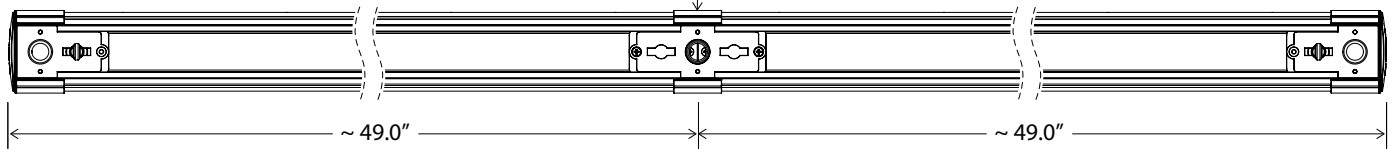
ADJUSTABLE SURFACE MOUNT (PA7)



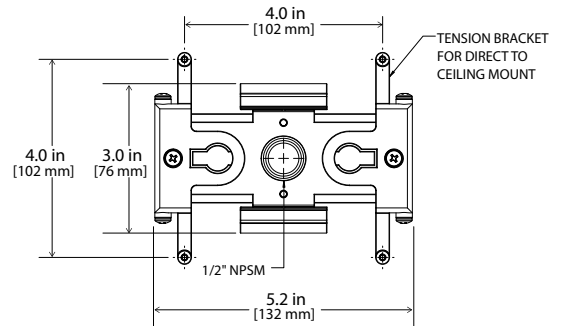
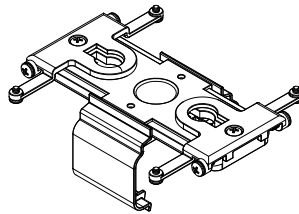
MOUNTING HARDWARE (CONTINUED)

CONTINUOUS RUN JOINERS

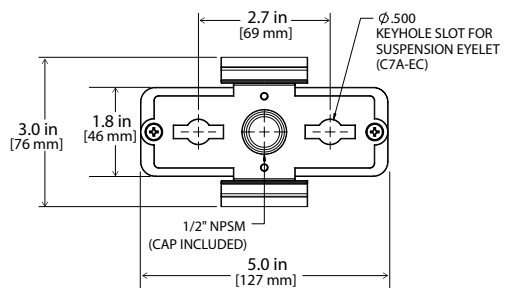
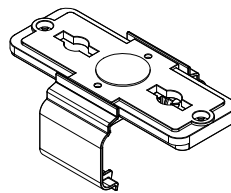
Link two or more four foot (nominal) sections together with C7A-CR Joiner



Surface Mount (C7A-CRC)



Pendant/Suspension Mount (C7A-CR)



Tempo Industries reserves the right to change materials or modify the design of its product without notification as part of the company's continuing product improvement program. Please consult www.tempolc.com for the most up-to-date specifications and technical data.